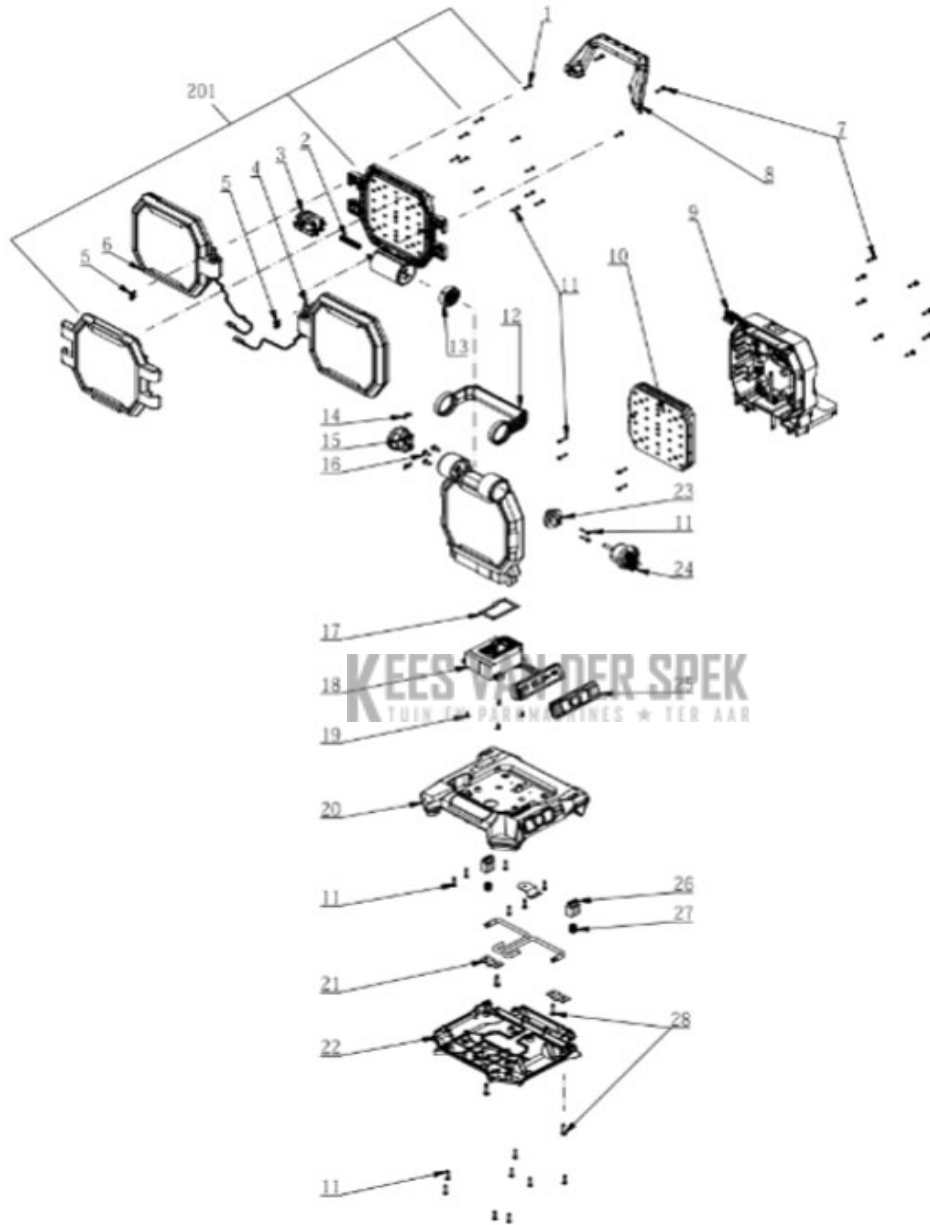


LT1000E

Lifestyle



Product Description: Portable Area Light
Model Number: LT1000E
Body Number: 0790025001_S
Version: A
Issue Date: 2022/12/12



Index No.	Art. No.	Description EN	QTY in machine
1	5620371002	Hexagon Lobuar Screw	2
2	3660615001	Compression Spring	1
3	2828880001	Spindle Assembly	1
4	2828750001	Right Lamp Holder Assembly	1
5	5620505002	Screw with Washer	4
6	2828748001	Left Lamp Holder Assembly	1
7	5610225002	Hexagon Lobuar Screw	10
8	3323191001	Auxiliary Handle	1
9	2828843001	housing assembly	1
10	2831188001	LED Electric Assembly	1
11	5610241004	Hexagon Lobuar Screw	30
12	3323190001	Handle	1
13	2828877001	Fixing Block Assembly	1
14	3660984001	Locating Spring	2
15	3132910001	Decorative Cover	1
16	5620342001	Screw With Washer	3
17	5690525001	Rubber Gasket	1
18	2831141001	Main Electric Assembly	1
19	5610010009	Screw	4
20	3403350001	Base	1
21	3707115001	Clamp	2
22	3132909001	Mounting Cover	1
23	2828878001	Shaft Assembly	1
24	2828879001	Knob Assembly	1
25	3132970001	Rubber Push Button	1
26	3132901001	Fixed Unit	2
27	3660013003	Spring1	2
28	5620157006	Hexagon Socket Screw	4
201	2828751001	Upper Lamp Holder Assembly	1