



pellenc s.a.

MACHINES À VENDANGER / ÉQUIPEMENTS POUR LA VITICULTURE
SÉCATEURS ÉLECTRONIQUES / OUTILS ÉLECTRO-PORTATIFS
MACHINES DE RÉCOLTE POUR L'ARBORICULTURE
AUTOMATISMES / VISIONIQUE



SELION M12



CATALOGUE PIÈCES DÉTACHÉES

Récoltez le fruit de nos innovations !

Route de Cavaillon BP 47 - 84122 PERTUIS CEDEX (FRANCE)
Tél : (33) 04 90 09 47 00 - Fax : (33) 04 90 09 64 09
e-mail : pellenc.sa@pellenc.com www.pellenc.com

2017

Edition
januari 2018

KEES VAN DER SPEK
TUIN EN PARKMACHINES ✦ TER AAR



SELION M12 2017 Catalogue of detached parts

TABLE OF CONTENTS

MECHANICAL PART.....2

SELION M12 - 1.....	3
SELION M12 - 2.....	5
HANDLE.....	7
SELION TOOLING.....	9

KEES VAN DER SPEK
TUIN EN PARKMACHINES * TER AAR

KEES VAN DER SPEK
TUIN EN PARKMACHINES ✦ TER AAR



SELION M12 2017
Catalogue of detached parts

MECHANICAL PART





SELION M12 2017 Catalogue of detached parts

SELION M12 - 1 - 51_15_001A

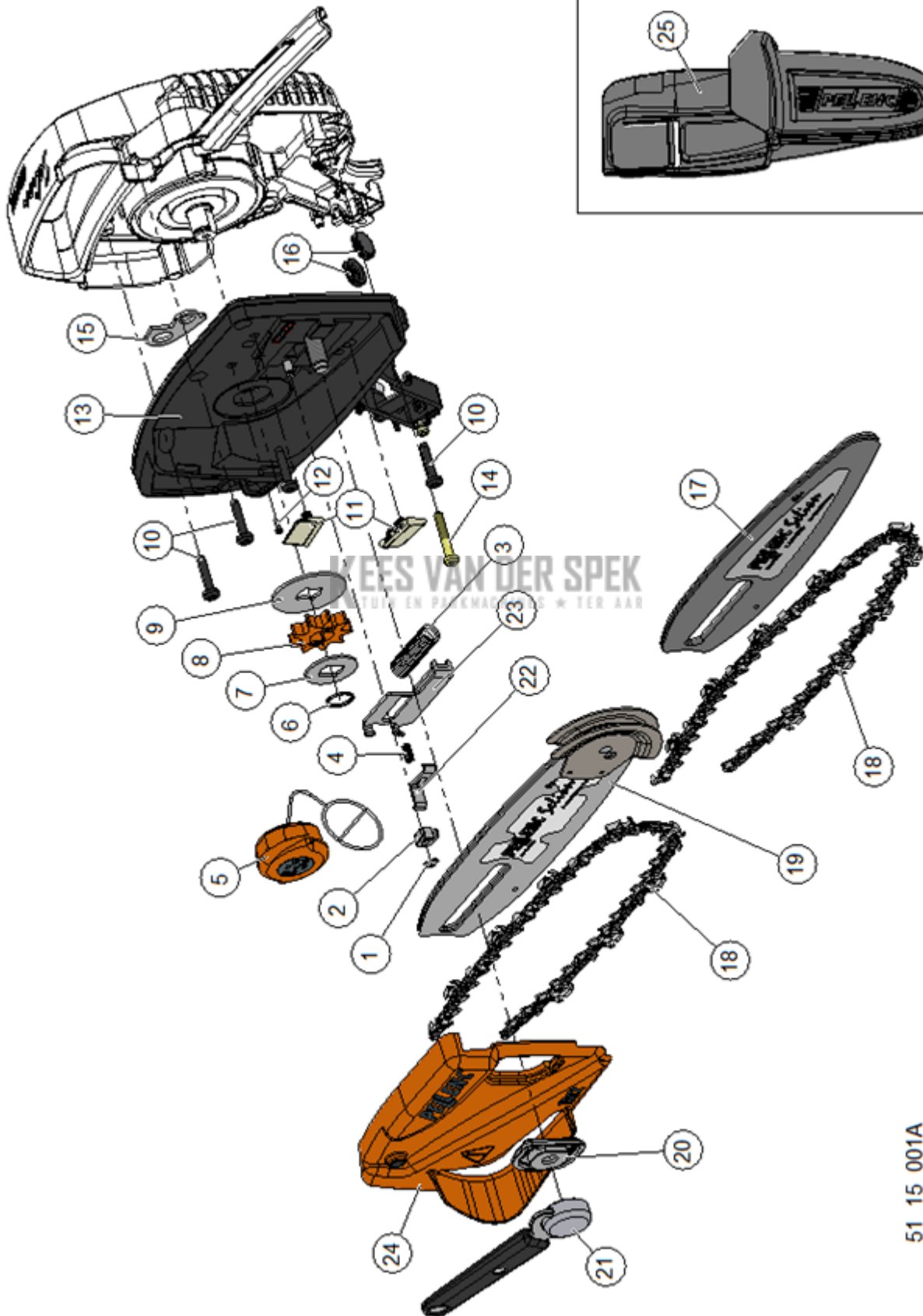
Mark	Part number	Description	Remarks	Quantity
1	64376	RING, TRUARC, NORMAL THK., Ø3.2		1,00
2	64368	CENTERING PRISM, CHAIN TENSIONER		1,00
3	64250	SPRING, CHAIN TENSION		1,00
4	64252	RETURN SPRING, LOCKING BLADE		1,00
5	84495	PLUG ASSY,M12,2011		1,00
6	01357	EXTERNAL CIRCLIPS, 12	KIT A	2,00
7	64854	WASHER, FRONT, CHAIN SPROCKET		1,00
8	64204	REPLACER PAR REF. 79087 (PIGNON)	KIT A	1,00
9	64248	WASHER, CHAIN SPROCKET FLANGE		1,00
10	64238	S, ALTRACS WN5152 40X20 ZN BLK (Q20		5,00
11	64147	CHAIN GUIDE SKID		2,00
12	64443	SCREW, DELTA PT WN5451 20X06 ZN BL		1,00
13	78803	HALF BODY,RIGHT,SELION,M,PREPARED		1,00
14	69859	SCREW CHC M4-25 Z LOW HEAD		2,00
15	69806	RING,CARRYING,M12		1,00
16	64164	CUP, CONTROL SEAL		2,00
17	80343	06 CARVING GUIDE BAR		1,00
18	71550	CHAIN, 25AP-042E (6)		1,00
19	78790	GUIDE,06 - 1/4,ANTIKICKBACK		1,00
20	64449	CLAMPING PLATE, GUIDE	KIT B	1,00
21	64450	TIGHTENING HANDLE RAPID CHAIN GUIDE		1,00
22	64251	LOCKING BLADE, CHAIN TENSION		1,00
23	64249	RETAINING PLATE, CHAIN TENSIONER		1,00
24	69633	CAPOT TRONCO MP	KIT B	1,00
25	75151	PROTECTION,HOLSTER,SELION,M (09)		1,00
A	79087	CHAIN SPROCK.KIT,9 TOOTH,1/4,SELION		1,00
B	82060	HOOD,CHAIN,M12,MP		1,00

KEES VAN DER SPEK
TUIN EN PARKMACHINES - TER AAR



SELION M12 2017 Catalogue of detached parts

SELION M12 - 1 - 51_15_001A



51_15_001A

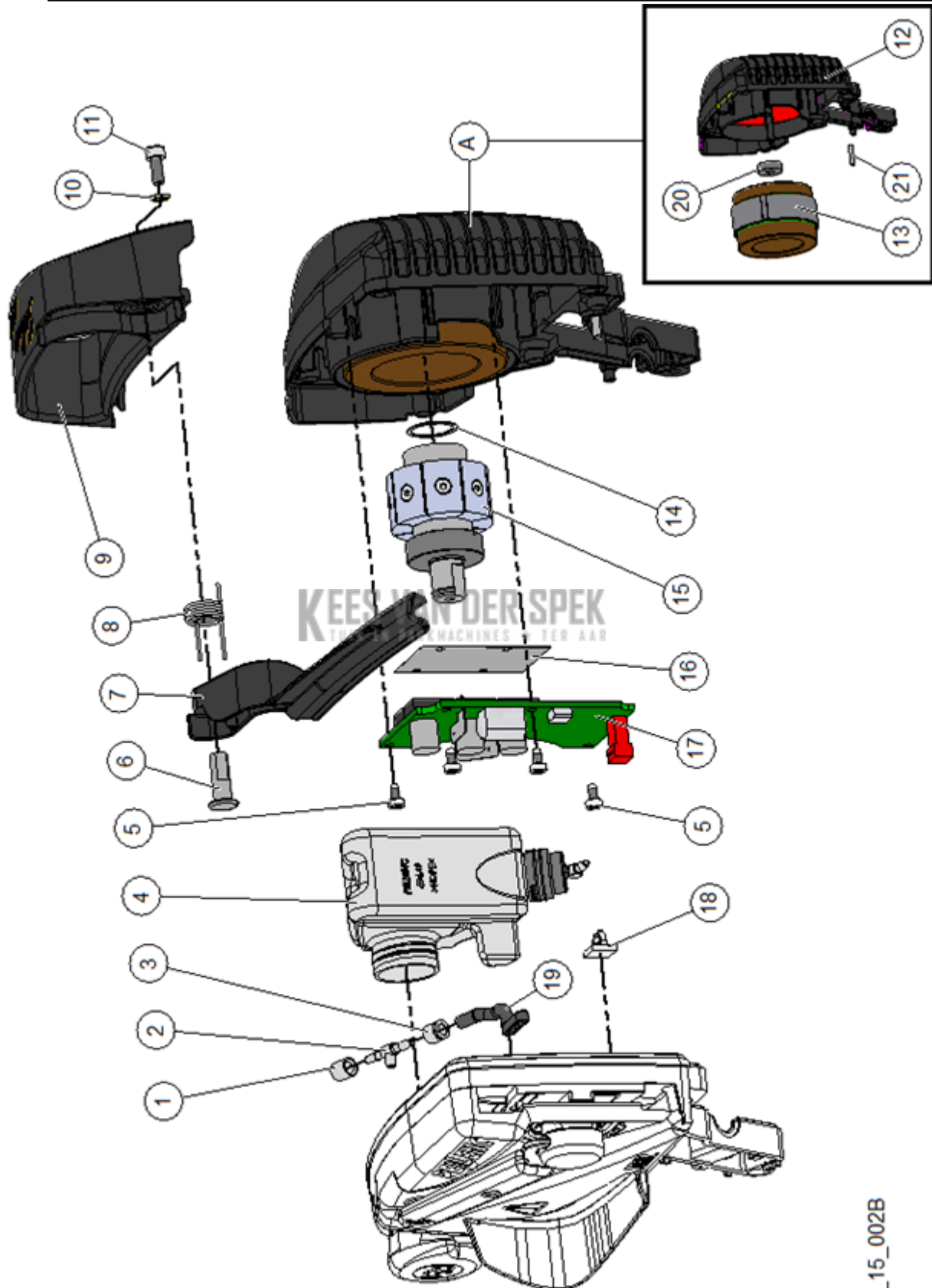


SELION M12 2017

Catalogue of detached parts

SELION M12 - 2 - 51_15_002B

Mark	Part number	Description	Remarks	Quantity
1	73263	SUPPORT RING, OIL HOSE 1		3,00
2	64151	PIPE COUPLING, 2.5/2.5		2,00
3	73264	SUPPORT RING, OIL HOSE 2		1,00
4	78792	TANK,EQUIPPED,M12		1,00
5	71166	SCREW, ALTRACS, WN5112Z 30X6 (Q 20)		4,00
6	75330	AXE DE PROTECTION GUIDE M12	KIT B	1,00
7	74898	PROTECTEUR CHAINE SELION M	KIT B	1,00
8	75331	RESSORT DE RAPPEL PROTECT GUIDE M12	KIT B	1,00
9	74897	LEFT HAND SUPPORT,SELION,M	Réf 25991 (colle silicone noire / black silicon glue)	1,00
10	48413	RONDELLE SCHNORR 4	KIT B	1,00
11	75635	VIS CHC M4-10 INOX	KIT B	1,00
12	130749	DEMI CORPS GAUCHE SELION M	KIT A	1,00
13	64234	STATOR BOBINE 20MM TRONCONNEUSE	KIT A	1,00
14	64370	WASHER, CRINKLED SPRING, Ø19		1,00
15	69876	ROTOR,COMPLETE,MOTOR,20,SELION,M		1,00
16	64236	INSULATOR, MOS		1,00
17	69620	BOARD,MOT.CTRL.,SELION,ACCELEROM.		1,00
18	77184	OIL PIPE ATTACHMENT CLIP		1,00
19	64146	OIL INLET FLEXIBLE CUP		1,00
20	64232	ROULEMENT 607-2Z 7X19X6	KIT A	1,00
21	133604	GOUPILLE CYL 3M6-16 INOX	KIT A	1,00
22	64635	THERMAL PASTE, W/OUT SILICONE, HTC		1,00
A	82066	HALF BODY,LEFT,SELION,M,EQUIP.,PCS		1,00
B	82674	KIT,CHAIN GUARD,M12		1,00





SELION M12 2017 Catalogue of detached parts

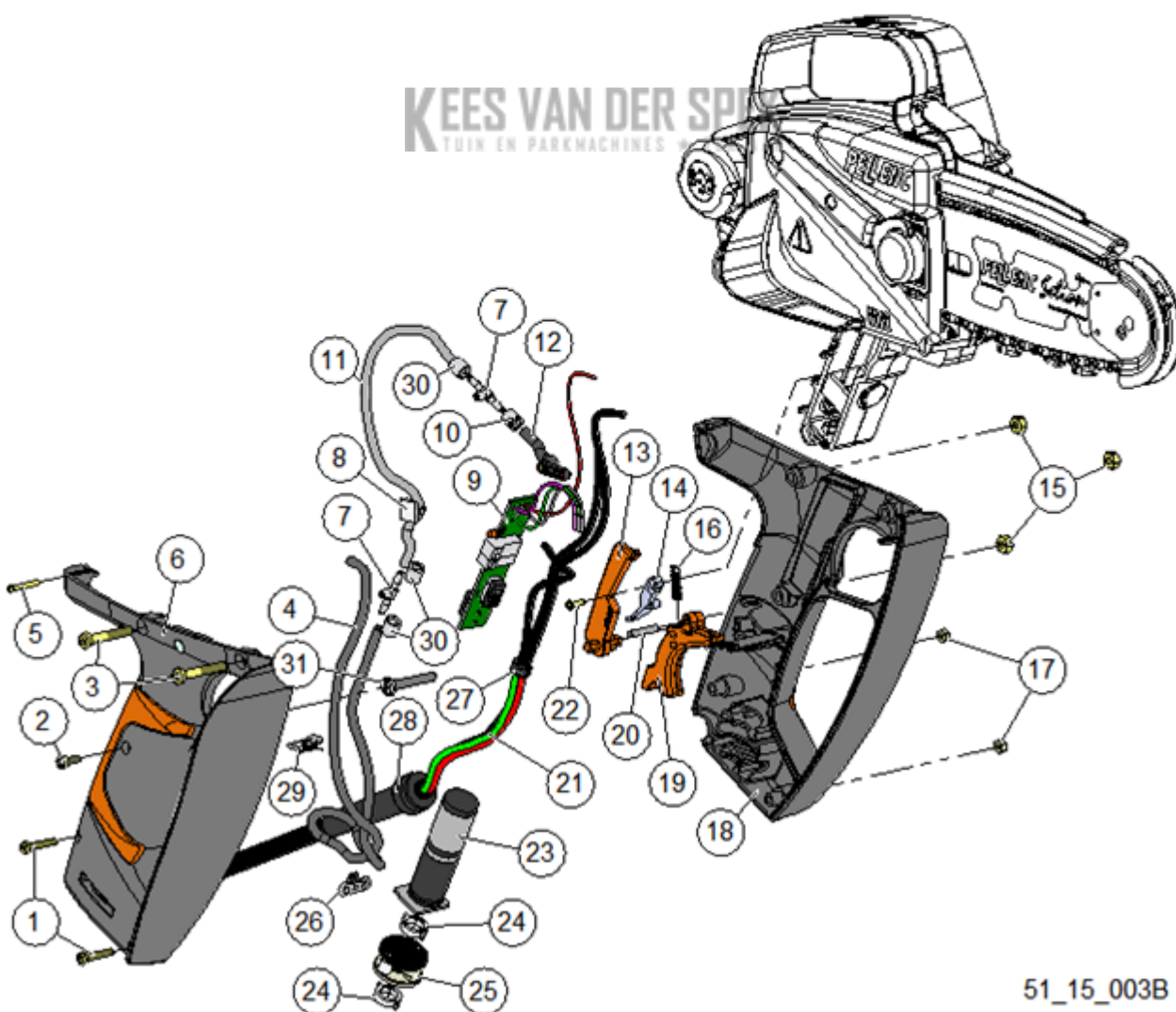
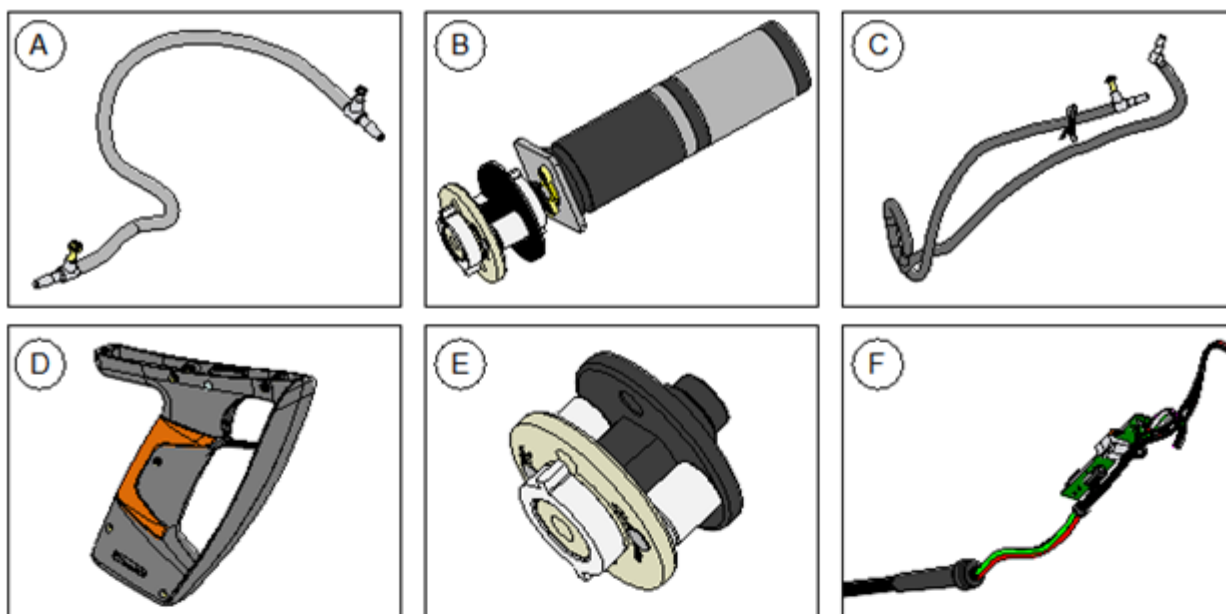
HANDLE - 51_15_003B

Mark	Part number	Description	Remarks	Quantity
1	69871	SCREW CHC M3-16 Z LOW HEAD	KIT D	2,00
2	34375	SCREW CHC M3-8 Z FC CL8.8 (50)		1,00
3	69859	SCREW CHC M4-25 Z LOW HEAD	KIT D	2,00
4	69874	TUYAU POMPE A HUILE M12	KIT C	1,00
5	71739	SCREW DELTA PT WN5452 K20-16	KIT D	1,00
6	78798	DEMI POIGNEE DROITE PREPAREE M12	KIT D	1,00
7	64151	PIPE COUPLING, 2.5/2.5	KIT A, C	2,00
8	78712	CLIP SUPPORT TUYAU MODIFIE		1,00
9	70257	CARTE INTERCONNEXION SELION MANUEL	KIT F	1,00
10	73264	SUPPORT RING, OIL HOSE 2		1,00
11	69875	TUYAU HUILE INTERNE MP	KIT A	1,00
12	64146	OIL INLET FLEXIBLE CUP		1,00
13	69643	TRIGGER,SAFETY,M12		1,00
14	71464	SPRING,INTERM.,TRIGGER,SAFETY,MP		1,00
15	01993	ECROU H M4 Z		3,00
16	02042	SPRING C 3.9 X 15.1 X 0.5 11S		1,00
17	02056	NUT HU M3Z (QTY 50)		2,00
18	69639	DEMI POIGNEE GAUCHE MP	KIT D	1,00
19	69642	TRIGGER,MAIN,M12		1,00
20	17858	GOUPILLE CYL 3H8-16 INOX		1,00
21	70258	CORDON ALIM SELION MANUEL	KIT F	1,00
22	73224	VIS DELTA PT WN5451 20-8	KIT A, C	1,00
23	78390	MOTORED. POMPE C/M PREPARE (10)	KIT B	1,00
24	64167	PALIER POMPE PERISTALTIQUE	KIT B, E	2,00
25	78388	SYSTEME PERISTALTIQUE (10)	KIT B, E	1,00
26	69646	TUBE SUPPORT, PUMP INLET		1,00
27	69654	PASSE FILS PUISSANCE MP	KIT F	1,00
28	69796	CABLE GROMMET,MP		1,00
29	76817	CLIP STOP TUBE	KIT C	1,00
30	73263	SUPPORT RING, OIL HOSE 1		3,00
31	82193	CENTRE SCREW, HANDLE		1,00
32	64635	THERMAL PASTE, W/OUT SILICONE, HTC		1,00
A	78795	KIT,PIPE,BODY,M12,PCES		1,00
B	78794	C/M PTS PUMP + MOTORED KIT		1,00
C	78796	PUMP PIPE KIT,M12,PCES		1,00
D	78797	KIT,GRIPS,SELION,M12,PCES		1,00
E	82071	PERISTALTIC PUMP,PCES,2010		1,00
F	70072	HARNESS+BOARD,INTERCONNECTION,M12		1,00



SELION M12 2017 Catalogue of detached parts

HANDLE - 51_15_003B



51_15_003B



SELION M12 2017 Catalogue of detached parts

SELION TOOLING - 31_07_005E

Mark	Part number	Description	Remarks	Quantity
1	116688	5L BIO OIL TANK		1,00
2	68518	GREASE PUMP FOR CHAIN GUIDE		1,00
3	68519	RETAINING VICE		1,00
4	68520	SHARPENING KIT		1,00
5	68521	ROUND FILE (BOX OF 12)		1,00
6	68522	FLAT FILE (BOX OF 12)		1,00
7	68611	ROUND FILE (PACK OF 3)		1,00
8	77988	CASE,PACKAGE,SELION,M		1,00

KEES VAN DER SPEK
TUIN EN PARKMACHINES * TER AAR



SELION M12 2017 Catalogue of detached parts

SELION TOOLING - 31_07_005E



31_07_005E

