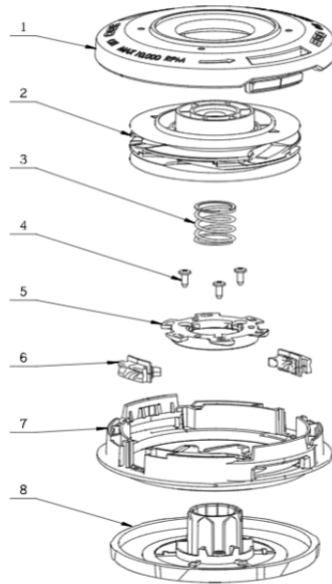




Product Description: Accessory
Model Number: AH3810
Body Number: 2827186001_S
Version: A
Issue Date: 2020/12/08



Index No.	Art. No.	Description EN	Partnumber	QTY in machine
1	3131052001	Top Cover	3131052001	1
2	2827187002	Mounting Wire Holder	2827187002	1
3	3660833001	Compression Spring	3660833001	1
4	5610022004	Tapping Screw	5610022004	3
5	3131050001	Connect Bush	3131050001	1
6	3422035001	Retaining Ring	3422035001	2
7	3131037001	Lower Housing	3131037001	1
8	3131529001	Base Pad	3131529001	1

KEES VAN DER SPEK
 TUIN EN PARKMACHINES ★ TER AAR