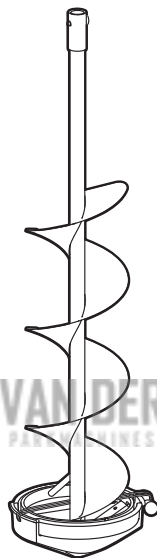


# EGO™

## POWER<sup>+</sup> AUGER

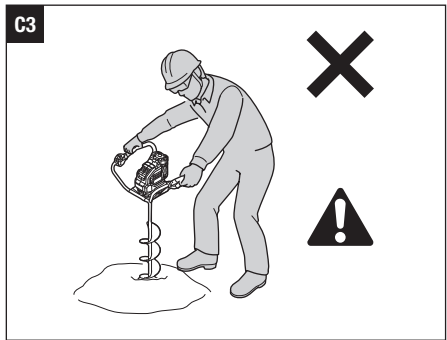
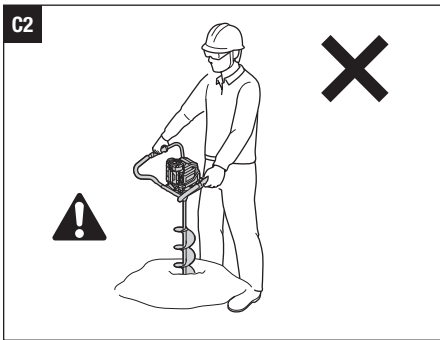
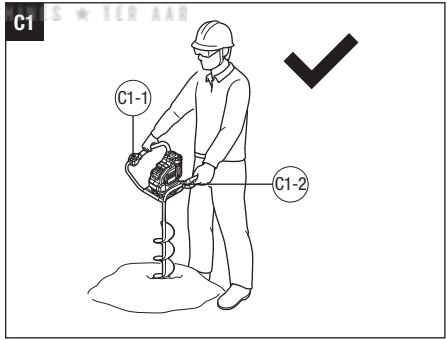
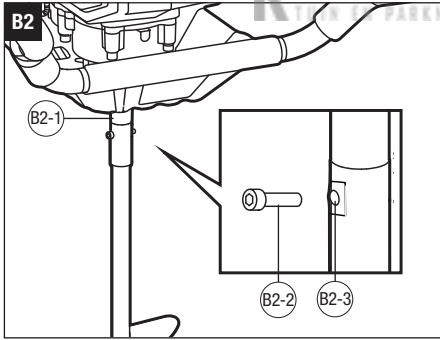
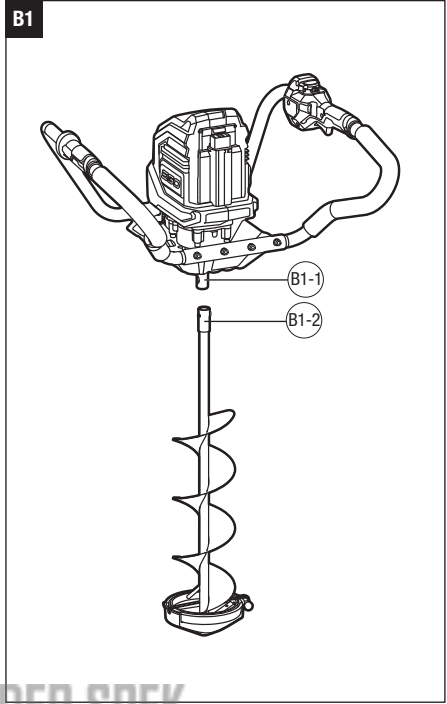
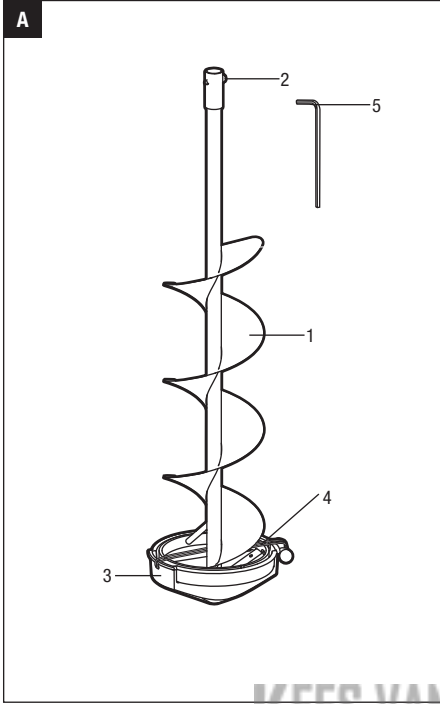


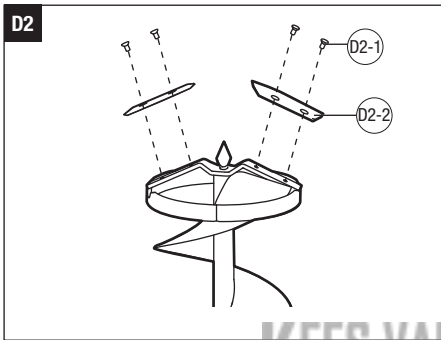
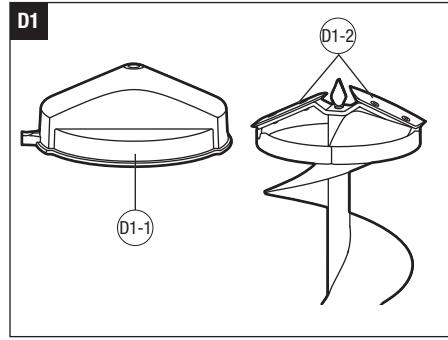
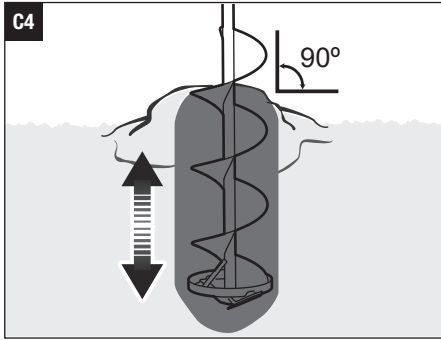
KEES VAN DER SPEK  
TUIN EN PARKMACHINES • TER AAR

## ITA0800E

### 56V LITHIUM-ION ICE AUGER BIT

EN	56V lithium-ion ice auger bit	4	RO	56V burghiu spiralat pentru gheață litiu-ion	128
DE	56V-lithium-ionen-eisbohreraufsatz	12	SL	56V litij-ionski vrtalnik za led	136
FR	Tariere a glace lithium-ion 56 V	20	LT	56 V ličio jonų ledo grąžtas	143
ES	Barrena para hielo con ba-tería de iones de litio de 56 V	28	LV	56 V litija jonu ledus urbjašinas uzgalis	150
PT	Perfurador de gelo de ião de lítio de 56V	36	GR	μση αριθας παγους λιθιου-ιοντων 56V	158
IT	Coclea da trivella per ghiaccio li-ion 56 V	44	TR	56V lityum iyon buz burgusu ucu	166
NL	56V lithium-ion ijsboorbit	52	ET	56 V liitium-ioonakuga тааруур	173
DK	56V litium-ion isboremaskine	60	UK	Льодовий бур із літій-іонним акумулятором на 56 В	180
SE	56V litiumjon isskrubborr	68	BG	56V литиево-йонен шнеков свердел за лед	188
FI	56 V litiumionijääkairan terä	75	HR	Litij-ionsko svrdlo za led od 56 V	196
NO	56V litium-ion isskrue bit	82	KA	56 ვ ლითიუმ-იონის ყინულის საბურღის წვერი	203
RU	Ледобур с литий-ионным аккумулятором 56 В	89	SR	Svrdlo bit za led sa litijum-jonskom baterijom od 56 V	213
PL	Świder do lodu litowo-jonowy 56 V	97	BS	Nastavak svrdla za led s litij-ionskom baterijom od 56 V	220
CZ	56V lithium-iontový šnekový vrták do ledu	105	HE	מקדח ביט קרח 56V ליתיום יון	243
SK	56V litium-iónový šnekový vrták do ľadu	112	AR	لقمة بريمة حفر الثلج ببطارية ليثيوم-أيون 56 فولت	236
HU	56 V-os lítium-ionsos jégfúró fej	120			





**KEES VAN DER SPEK**  
TUIN EN PARKMACHINES ★ TER AAR

EN

**READ ALL INSTRUCTIONS!****READ OPERATOR'S MANUAL**

**⚠ WARNING:** To ensure safety and reliability, all repairs should be performed by a qualified service technician.

**SAFETY SYMBOL**

The purpose of safety symbols is to attract your attention to possible dangers. The safety symbols and the explanations with them deserve your careful attention and understanding. The symbol warnings do not, by themselves, eliminate any danger. The instructions and warnings they give are no substitutes for proper accident prevention measures.

**⚠ WARNING:** Be sure to read and understand all safety instructions in this Operator's Manual, including all safety alert symbols such as **"DANGER," "WARNING,"** and **"CAUTION"** before using this tool. Failure to follow all instructions listed below may result in electric shock, fire, and/or serious personal injury.

**SAFETY INSTRUCTIONS**

This page depicts and describes safety symbols that may appear on this product. Read, understand, and follow all instructions on the machine before attempting to assemble and operate.



Safety Alert



To reduce the risk of injury, user must read the operator's manual.



Wear Eye Protection



Wear Ear Protection



Waste electrical products should not be disposed of with household waste. Take to an authorized recycler.



This product is in accordance with applicable EC directives.



Direct Current



This product is in accordance with applicable UK legislation.

V Voltage

kg Kilogram

°C Celsius

mm Millimeter

/min Revolutions per minute

IPX4 Protection from splashing water

## GENERAL MACHINE SAFETY WARNINGS

**⚠ WARNING:** Read all safety warnings, instructions, illustrations and specifications provided with this machine. Failure to follow all instructions listed below may result in electric shock, fire and/or serious injury.

Save all warnings and instructions for future reference.

### Work Area Safety

- **Keep work area clean and well lit.** Cluttered or dark areas invite accidents.
- **Do not operate machines in explosive atmospheres, such as in the presence of flammable liquids, petrol or dust.** Machines create sparks which may ignite the dust or fumes.
- **Keep children and bystanders away while operating a machine.** Distractions can cause you to lose control.

### Electrical Safety

- **Machine plugs must match the outlet. Never modify the plug in any way. Do not use any adapter plugs with earthed (grounded) machines.** Unmodified plugs and matching outlets will reduce risk of electric shock.
- **Avoid body contact with earthed or grounded surfaces, such as pipes, radiators, ranges and refrigerators.** There is an increased risk of electric shock if your body is earthed or grounded.
- **Do not expose machines to rain or wet conditions.** Water entering a machine will increase the risk of electric shock.
- **Do not abuse the cord. Never use the cord for carrying, pulling or unplugging the machine. Keep cord away from heat, oil, sharp edges or moving parts.** Damaged or entangled cords increase the risk of electric shock.
- **When operating a machine outdoors, use an extension cord suitable for outdoor use.** Use of a cord suitable for outdoor use reduces the risk of electric shock.
- **If operating a machine in a damp location is unavoidable, use a Ground-fault circuit interrupter protected supply.** Use of a GFCI reduces the risk of electric shock.

### Personal Safety

- **Stay alert, watch what you are doing and use**

common sense when operating a machine. Do not use a machine while you are tired or under the influence of drugs, alcohol or medication. A moment of inattention while operating machines may result in serious personal injury.

- **Use personal protective equipment. Always wear eye protection. Protective equipment such as a dust mask, non-skid safety shoes, hard hat or hearing protection used for appropriate conditions will reduce personal injuries.**
- **Prevent unintentional starting. Ensure the switch is in the off-position before connecting to power source and/or battery pack, picking up or carrying the machine.** Carrying machines with your finger on the switch or energising machines that have the switch on invites accidents.
- **Remove any adjusting key or wrench before turning the machine on.** A wrench or a key left attached to a rotating part of the machine may result in personal injury.
- **Do not overreach. Keep proper footing and balance at all times.** This enables better control of the machine in unexpected situations.
- **Dress properly. Do not wear loose clothing or jewellery. Keep your hair and clothing away from moving parts.** Loose clothes, jewellery or long hair can be caught in moving parts.
- **If devices are provided for the connection of dust extraction and collection facilities, ensure these are connected and properly used.** Use of dust collection can reduce dust-related hazards.
- **Do not let familiarity gained from frequent use of machines allow you to become complacent and ignore machine safety principles.** A careless action can cause severe injury within a fraction of a second.

### Machine Use and Care

- **Do not force the machine. Use the correct machine for your application.** The correct machine will do the job better and safer at the rate for which it was designed.
- **Do not use the machine if the switch does not turn it on and off.** Any machine that cannot be controlled with the switch is dangerous and must be repaired.
- **Disconnect the plug from the power source and/or remove the battery pack, if detachable, from the machine before making any adjustments, changing accessories, or storing machines.** Such preventive safety measures reduce the risk of starting the machine accidentally.

- **Store idle machines out of the reach of children and do not allow persons unfamiliar with the machine or these instructions to operate the machine.** Machines are dangerous in the hands of untrained users.
- **Maintain machines and accessories. Check for misalignment or binding of moving parts, breakage of parts and any other condition that may affect the machine's operation. If damaged, have the machine repaired before use.** Many accidents are caused by poorly maintained machines.
- **Keep cutting machines sharp and clean.** Properly maintained cutting machines with sharp cutting edges are less likely to bind and are easier to control.
- **Use the machine, accessories and machine bits etc. in accordance with these instructions, taking into account the working conditions and the work to be performed.** Use of the machine for operations different from those intended could result in a hazardous situation.
- **Keep handles and grasping surfaces dry, clean and free from oil and grease.** Slippery handles and grasping surfaces do not allow for safe handling and control of the machine in unexpected situations.

#### Battery Machine Use and Care

- **Recharge only with the charger specified by the manufacturer.** A charger that is suitable for one type of battery pack may create a risk of fire when used with another battery pack.
- **Use machines only with specifically designated battery packs.** Use of any other battery packs may create a risk of injury and fire.
- **When battery pack is not in use, keep it away from other metal objects, like paper clips, coins, keys, nails, screws or other small metal objects, that can make a connection from one terminal to another.** Shorting the battery terminals together may cause burns or a fire.
- **Under abusive conditions, liquid may be ejected from the battery; avoid contact. If contact accidentally occurs, flush with water. If liquid contacts eyes, additionally seek medical help.** Liquid ejected from the battery may cause irritation or burns.
- **Do not use a battery pack or machine that is damaged or modified.** Damaged or modified batteries may exhibit unpredictable behaviour resulting in fire, explosion or risk of injury.
- **Do not expose a battery pack or machine to fire or excessive temperature.** Exposure to fire or temperature above 130°C may cause explosion.

- **Follow all charging instructions and do not charge the battery pack or machine outside the temperature range specified in the instructions.** Charging improperly or at temperatures outside the specified range may damage the battery and increase the risk of fire.

#### Service

- **Have your machine serviced by a qualified repair person using only identical replacement parts.** This will ensure that the safety of the machine is maintained.
- **Never service damaged battery packs.** Service of battery packs should only be performed by the manufacturer or authorized service providers.

#### SAFETY WARNINGS FOR ICE AUGER

- **Replace augers if cracked, bent, or damaged in any way.** Operating the machine with a damaged auger can result in serious injury.
- **Never use the auger with the handles above waist level.** This restricts control of the auger and may increase the risk of injury.
- **Hold the machine with both hands at the intended handles.** Loss of control can cause personal injury.
- **Hold the machine by insulated gripping surfaces, when performing an operation where the digging accessory may contact hidden wiring.** Digging accessory contacting a "live" wire may make exposed metal parts of the machine "live" and could give the operator an electric shock.
- **To reduce the risk of electrocution, never use the auger near any buried electrical power cables.** Contact with or use near buried electrical power cables may cause serious injury or electric shock resulting in death.
- **Always start the machine at low speed and with the auger bit tip in contact with the ground.** At higher speeds, the bit is likely to bend if allowed to rotate freely without contacting the ground, resulting in personal injury.
- **Apply pressure only in direct line with the bit and do not apply excessive pressure.** Bits can bend causing breakage or loss of control, resulting in personal injury.
- **Always be sure you have a firm footing.** Be sure no one is below when using the machine in high locations.
- **Hold the machine firmly.**

- **Keep hands away from rotating parts.**
- **Do not leave the machine running. Operate the machine only when hand-held.**
- **Do not touch the auger bit immediately after operation.** It may be extremely hot and could burn your skin.
- **If something is wrong with the machine, such as abnormal sounds, stop operating immediately and contact your local service center for repair.**
- **To reduce the risk of explosion, never use the auger near any buried gas lines, including water lines and pipes.** Contact with or use near buried water or gas lines may result in bursting of water lines and explosion from gas lines which may cause serious injury or death.
- **Never operate at higher speed than the maximum speed rating of the auger bit.** At higher speeds, the bit is likely to bend if allowed to rotate freely without contacting the workpiece, resulting in personal injury.
- **Battery-operated machines do not have to be plugged into an electrical outlet; therefore, they are always in operating condition. Be aware of possible hazards even when the machine is not operating.** Take care when performing maintenance or service.
- **Do not wash with a hose; avoid getting water in motor and electrical connections.**
- **The ice blades are very sharp. Use extreme caution when drilling a hole or replacing the blades. Put the blade guard on after each use.**
- **Frequently check and ensure that the locking screw is secured in place.**
- **Use only with the specified battery packs and chargers.**

**Save these instructions.** Refer to them frequently and use them to instruct others who may use this machine. If you lend someone this machine, lend them these instructions also to prevent misuse of the product and possible injury.

## SPECIFICATIONS

Auger Bit/Hole Diameter	200 mm	
Maximum Drilling Depth	990 mm	
Weight (Without battery pack)	3.7 kg	
Recommended Operating Temperature	-20°C - 40°C	
Recommended Storage Temperature	-40°C - 70°C	
Sound power level $L_{WA}$	97.6 dB(A) K=3 dB(A)	
Sound pressure level $L_{PA}$	89.6 dB(A) K=3 dB(A)	
Vibration $a_h$	Right handle	2.52 m/s <sup>2</sup> K=1.5 m/s <sup>2</sup>
	Left handle	2.45 m/s <sup>2</sup> K=1.5 m/s <sup>2</sup>

- The declared vibration total value has been measured in accordance with a standard test method and may be used for comparing one machine with another;
- The declared vibration total value may also be used in a preliminary assessment of exposure.

**NOTICE:** The vibration emission during actual use of the machine can differ from the declared value in which the machine is used; In order to protect the operator, user should wear gloves and ear protectors in the actual conditions of use.

## RECOMMENDED ACCESSORIES

**⚠ WARNING:** Use only accessories listed below. Use of accessories that do not meet the original equipment specifications may lead to improper performance and compromised safety.

PART NAME	MODEL NUMBER
Ice Auger Bit Blade	AB0800I

## EN PACKING LIST (FIG. A)

### DESCRIPTION

#### KNOW YOUR ICE AUGER BIT (Fig. A)

1. Ice Auger Bit
2. Locking Screw
3. Blade Guard
4. Ice Blade
5. Allen Key (6 mm)

### ASSEMBLY

#### INSTALLING THE ICE AUGER BIT

**⚠ WARNING:** The auger bit is very sharp. To prevent personal injury, exercise extreme caution when cleaning, installing, or removing the auger bit. Always wear protective gloves when performing maintenance on the auger bit.

- 1 Loosen and remove the locking screw from the ice auger bit.
- 2 Mount the upper end of the auger bit onto the drive shaft of the power head (Fig. B1).
- 3 Align the connection holes on the auger bit and drive shaft.
- 4 Use the locking screw to secure the auger bit to the drive shaft. Use the supplied 6 mm Allen key to tighten the locking screw securely (Fig. B2).

B1-1	Drive Shaft	B1-2	Upper End of the Ice Auger Bit
B2-1	Drive Shaft	B2-2	Locking Screw
B2-3	Flat Side		

**NOTICE:** Make sure the locking screw is inserted in the connection holes from the flat side of the auger bit hole.

### OPERATION

#### APPLICATION

You may use this product for the purposes listed below:

- Drilling holes in ice using the ice auger bit.

#### STARTING/STOPPING THE ICE AUGER

See “STARTING/STOPPING THE POWER HEAD” section in the power head PHA7400E operator’s manual.

**NOTICE:** Wear protective gloves and remove the ice blade guard before starting the product.

#### WORKING WITH THE ICE AUGER

##### **⚠ WARNING:**

- Contact local utility for underground service marking before using machine to avoid contact with underground utilities.
- Do not use the ice auger for anything other than its intended purpose.
- Use the ice auger to only drill holes in ice.
- Avoid digging in material that you suspect contains hidden nails or other things that may cause the auger bit to bind or break.
- Stay alert to the torque reaction force of the machine. Always keep the operating position that you can withstand the torque reaction force.
- Be extremely cautious when working on slopes or uneven surface.

**NOTICE:** Before operating, check that there is no foreign matter (sand, dirt, etc.) stuck in the openings or moving parts.

- a. Make sure feet are firmly planted above the work surface and stand with the handles close to waist. Firmly hold the right handle with your right hand and the left handle with your left hand (Fig. C1).

C1-1	Right Handle	C1-2	Left Handle
------	--------------	------	-------------

**⚠ WARNING:** Never hold the right handle with your left hand and the left handle with your right hand. Improper hand positions may result in serious injury (Fig. C2).

**⚠ WARNING:** Avoid improper positioning (Fig. C3). Do not stand too far from the machine. Proper reaction and control may not be achieved in the event of kickback.

- b. Keep the auger bit away from your body and the auger bit pointing downward at a 90° angle to the surface.
- c. Set the direction of rotation and rotation speed.
- d. Lift the machine above the surface. Press and hold the lock-off button and squeeze the switch trigger.

**⚠ WARNING:** Do not touch the auger bit when the product is switched on.

- e. Allow the auger to gain full speed.
- f. Lower the auger bit into the surface maintaining the 90° angle (Fig. C4). Allow the auger bit to bite into the

material, letting the machine do the work.

- g. As the auger bit begins to fill with debris, it is important to constantly clear it to produce a clean cut and reduce the amount of effort required – while the auger is operating at full speed, slowly lift it from the hole and allow the debris to clear from the auger bit.
- h. After using this machine, release the trigger switch and allow the auger to come to a complete stop.
- i. When leaving the machine, such as during a break, do not leave the machine inserted in the ice or lean it against a wall. Install the blade guard onto the ice auger bit and store the machine in a stable position.

### TIPS FOR USING THE ICE AUGER

- Pressing excessively on the machine will not speed up the digging. Excessive pressure will only serve to damage the tip of the auger bit, decrease the machine performance, and shorten the service life of the machine.
- When drilling a deep hole or drilling in clay soil, do not try to dig at once. Dig the hole by lifting the machine up and down so that the loose soil in the hole can be discharged.
- If the rotation speed of the machine slows down due to high load operation, lift the machine up little, and move the machine up and down to drill in small steps.
- A stuck auger bit can be removed simply by setting the auger into reverse rotation in order to back out. When reversing, brace the machine by your body to prevent a clockwise reaction.
- Before working with an ice auger bit on frozen ponds, lakes, or streams, check with local authorities and take all necessary precautions to ensure safe ice thickness.
- When taking the ice auger bit out of the hole, lift the machine vertically so that the bit comes out straight without canting. To minimize splashing when drilling ice holes, release the trigger switch immediately when the ice auger bit breaks through the ice. Raise the machine slowly. Cover and clearly mark boreholes to prevent anyone from stepping in a hole.

## MAINTENANCE

**⚠ WARNING:** To prevent serious personal injury, remove the battery pack from the product before servicing, cleaning, changing attachments, or removing material from the unit.

### GENERAL MAINTENANCE

Avoid using solvents when cleaning plastic parts. Most

plastics are susceptible to damage from various types of commercial solvents and may be damaged by their use. Use a clean cloth to remove dirt, dust, oil, grease, etc.

**⚠ WARNING:** Do not at any time allow brake fluids, gasoline, petroleum-based products, penetrating oils, etc. to come in contact with plastic parts. Chemicals can damage, weaken or destroy plastic which may result in serious personal injury.

### REPLACING THE ICE BLADES

If ice auger jumps on the ice or cuts slowly through the ice when drilling ice holes, ice blades may need to be replaced.

Required tools: 6 mm Allen key (provided), 3 mm Allen key (not provided)

1. Remove the battery pack from the auger, and remove the ice auger bit from the drive shaft of the power head by using the 6 mm Allen key to loosen and remove the locking screw.
2. Wear protective gloves and remove the ice blade guard (Fig. D1).
3. Using the 3 mm Allen key, loosen and remove the screws and ice blades from the ice auger bit. (Fig. D2).
4. Replace with new blades and tighten them securely.
5. Install the blade guard.

D1-1	Blade Guard	D1-2	Ice Blades
D2-1	Screw	D2-2	Ice Blade

### STORING THE ICE AUGER BIT

1. Remove the battery pack.
2. Remove the auger bit from the drive shaft of the power head.
3. Clean the auger bit thoroughly before storing it.
4. Install the blade guard onto the ice auger bit.
5. Store the auger bit in a dry, well-ventilated area, locked-up or up high, out of the reach of children. Do not store the auger bit on or adjacent to fertilizers, gasoline, or other chemicals.

EN

## Protecting the environment



Do not dispose of electrical equipment, used battery and charger into household waste! Take this product to an authorized recycler and make it available for separate collection. Electric tools must be returned to an environmentally compatible recycling facility.

**KEES VAN DER SPEK**  
TUIN EN PARKMACHINES ★ TER AAR

## TROUBLESHOOTING

PROBLEM	CAUSE	SOLUTION
Machine fails to start or stops unexpectedly.	<ul style="list-style-type: none"> <li>■ Low battery pack capacity.</li> <li>■ Battery pack is overheated or too cold.</li> <li>■ The right handle cable is not connected with the power head cable properly.</li> </ul>	<ul style="list-style-type: none"> <li>■ Charge the battery pack.</li> <li>■ Wait for the battery pack to cool down or warm up, at which point the auger can be started again.</li> <li>■ Connect the cables of the right handle and the power head following the section “INSTALLING THE HANDLES” in the power head PHA7400E operator’s manual.</li> </ul>
There is too much noise and/or vibration during operation.	<ul style="list-style-type: none"> <li>■ Some parts are loose.</li> </ul>	<ul style="list-style-type: none"> <li>■ Stop the auger, remove the battery pack, check and tighten loose parts.</li> </ul>
Motor runs, but auger bit remains stationary.	<ul style="list-style-type: none"> <li>■ Loose auger bit.</li> </ul>	<ul style="list-style-type: none"> <li>■ Reinstall the auger bit following the section “INSTALLING THE ICE AUGER BIT” in this manual.</li> </ul>
Ice auger jumps on the ice or cuts slowly through the ice.	<ul style="list-style-type: none"> <li>■ Blades are dull or damaged.</li> </ul>	<ul style="list-style-type: none"> <li>■ Replace with new blades following the section “REPLACING THE ICE BLADES” in this manual.</li> </ul>
The auger rotation direction or speed is not switched after pushing the rotation direction/speed selector.	<ul style="list-style-type: none"> <li>■ Switching direction of rotation between forward and reverse is only possible when the auger is stopped.</li> <li>■ Other unidentified causes.</li> </ul>	<ul style="list-style-type: none"> <li>■ Stop the auger completely, push the rotation direction/speed selector to desired rotation and then start the auger again.</li> <li>■ Contact EGO service for repair.</li> </ul>

## WARRANTY

### EGO WARRANTY POLICY

Please visit the website [egopowerplus.eu](http://egopowerplus.eu) for full terms and conditions of the EGO Warranty policy.

## LESEN SIE ALLE ANWEISUNGEN!

DE



### BEDIENUNGSANLEITUNG LESEN

**⚠️ WARNUNG:** Um die Sicherheit und Zuverlässigkeit zu gewährleisten, sollten alle Reparaturen nur von qualifizierten Servicetechnikern durchgeführt werden.

## WARNSYMBOL

Der Zweck von Warnsymbolen besteht darin, Ihre Aufmerksamkeit auf mögliche Gefahren zu lenken. Die Warnsymbole und deren Erklärungen verdienen Ihre vollste Aufmerksamkeit und Beachtung. Durch die Warnsymbole allein sind die Gefahren noch nicht ausgeschaltet. Die Anweisungen und Warnhinweise stellen keinen Ersatz für angemessene Unfallverhütungsmaßnahmen dar.

**⚠️ WARNUNG:** Vor der Benutzung der Maschine sollten Sie alle Sicherheitsanweisungen in dieser Bedienungsanleitung gelesen und verstanden haben. Das gilt auch für die Sicherheits- und Gefahrenzeichen wie „VORSICHT“, „WARNUNG“ und „ACHTUNG“. Die Nichtbeachtung der aufgeführten Hinweise kann zu Stromschlägen, Bränden und/oder schweren Verletzungen führen.

## SICHERHEITSHINWEISE

Auf dieser Seite werden die Warnsymbole vorgestellt und beschrieben, die sich unter Umständen an der Maschine befinden. Vor dem Zusammenbau und der Inbetriebnahme müssen sämtliche Anweisungen auf der Maschine gelesen und genau befolgt werden.



Sicherheitshinweis



Um das Verletzungsrisiko zu verringern, muss der Benutzer die Bedienungsanleitung lesen.



Augenschutz tragen



Gehörschutz tragen



Elektrische Altgeräte dürfen nicht im Hausmüll entsorgt werden. Bringen Sie die Maschine zu einem Wertstoffhof bzw. zu einer amtlichen Sammelstelle.



Dieses Produkt erfüllt die einschlägigen CE-Richtlinien.



Gleichstrom



Dieses Produkt erfüllt die einschlägigen Vorschriften in GB.

V Spannung

kg Kilogramm

°C Celsius

mm Millimeter

/min Umdrehungen pro Minute

IPX4 Schutz vor Spritzwasser

## ALLGEMEINE SICHERHEITSHINWEISE FÜR MASCHINEN

**⚠️ WARNUNG:** Beachten Sie alle Sicherheitshinweise, Anweisungen, Abbildungen und technischen Daten, die dieser Maschine beiliegen. Die Nichtbeachtung der unten aufgeführten Anweisungen kann zu Stromschlägen, Bränden und/oder schweren Verletzungen führen.

**Bewahren Sie alle Warn- und Bedienhinweise für Nachschlagezwecke auf.**

### Sicherheit im Arbeitsbereich

- **Halten Sie den Arbeitsbereich stets sauber und gut beleuchtet.** Unaufgeräumte oder dunkle Bereiche können Unfälle provozieren.
- **Die Maschine darf nicht in einer explosionsgefährdeten Atmosphäre eingesetzt werden, wie z.B. in der Nähe zündfähiger Flüssigkeiten, Gase oder Stäube.** Maschinen erzeugen Funken, die Stäube oder Dämpfe entzünden können.
- **Halten Sie Kinder und Schaulustige während des Maschinenbetriebs fern.** Ablenkungen können dazu führen, dass Sie die Kontrolle verlieren.

### Elektrische Sicherheit

- **Der Netzstecker der Maschine muss in die Steckdose passen. Der Netzstecker darf unter keinen Umständen modifiziert werden.** Keine Adapterstecker an geerdeten Maschinen benutzen. Nicht modifizierte Stecker und passende Steckdosen reduzieren die Stromschlaggefahr.
- **Vermeiden Sie den Körperkontakt zu geerdeten Flächen, wie zum Beispiel Rohrleitungen, Heizkörpern, Herden und Kühlschränken.** Es besteht erhöhte Stromschlaggefahr, wenn Ihr Körper geerdet ist.
- **Maschinen von Regen oder Nässe fernhalten.** Wenn Wasser in die Maschine eindringt, besteht erhöhte Stromschlaggefahr.
- **Das Netzkabel darf nicht zweckfremdet werden. Das Netzkabel darf nicht zum Tragen, Ziehen oder Herausziehen des Elektrowerkzeugs aus der Steckdose verwendet werden.** Das Netzkabel muss vor Hitze, Öl, scharfen Kanten oder beweglichen Teilen ferngehalten werden. Durch beschädigte oder verknottete Kabel besteht erhöhte Stromschlaggefahr.

- **Bei Maschinenbetrieb im Freien muss ein für den Außeneinsatz geeignetes Verlängerungskabel verwendet werden.** Die Stromschlaggefahr verringert sich bei Gebrauch eines Netzkabels, das für den Einsatz im Freien geeignet ist.
- **Wenn sich der Einsatz der Maschine an einem feuchten Ort nicht vermeiden lässt, benutzen Sie eine Steckdose, die mit einem FI-Schalter gesichert ist.** Die Verwendung einer Fehlerstromschutzeinrichtung reduziert die Stromschlaggefahr.

### Persönliche Sicherheit

- **Seien Sie wachsam, geben Sie darauf Acht, was Sie tun, und benutzen Sie Ihren gesunden Menschenverstand beim Betrieb einer Maschine. Benutzen Sie die Maschine nicht, wenn Sie müde sind oder unter dem Einfluss von Drogen, Alkohol oder Medikamenten stehen.** Ein Moment der Unachtsamkeit kann beim Maschinenbetrieb zu ernsthaften Verletzungen führen.
- **Tragen Sie eine persönliche Schutzausrüstung. Tragen Sie immer einen Augenschutz. Durch eine für die jeweiligen Bedingungen geeignete Schutzausrüstung wie etwa eine Staubschutzmaske, rutschfeste Schuhe, Helm oder Gehörschutz lässt sich die Verletzungsgefahr verringern.**
- **Ungewollten Anlauf verhindern. Vor dem Anschließen an eine Steckdose und/oder einen Akku sowie vor dem Aufnehmen oder Transportieren der Maschine immer kontrollieren, ob der Hauptschalter in ausgeschalteter Position ist.** Unfälle sind vorprogrammiert, wenn Sie Maschinen mit einem Finger am Hauptschalter tragen oder Elektrowerkzeuge mit eingeschaltetem Hauptschalter an eine Steckdose anschließen.
- **Ziehen Sie vor dem Einschalten der Maschine Einstellschlüssel oder Schraubenschlüssel ab.** Wird ein Schraubenschlüssel oder Schlüssel am rotierenden Maschinenteil gelassen, besteht Verletzungsgefahr.
- **Nicht überstrecken. Achten Sie stets auf einen festen Stand und halten Sie das Gleichgewicht.** Dies ermöglicht in unerwarteten Situationen eine bessere Kontrolle über die Maschine.
- **Tragen Sie angemessene Kleidung. Tragen Sie keine weite Kleidung oder Schmuck. Halten Sie Ihr Haar und Ihre Kleidung von beweglichen Teilen fern.** Weite Kleidung, Schmuck oder langes Haar können sich in den beweglichen Teilen verfangen.

- **Wenn Komponenten zum Anschluss an eine Absauganlage und an Auffangvorrichtungen mitgeliefert werden, achten Sie darauf, dass diese ordnungsgemäß befestigt und benutzt werden.** Die Verwendung einer Staubauffangvorrichtung kann Gefahren durch Staub reduzieren.
- **Auch wenn Sie sich wegen des häufigen Gebrauchs mit der Maschine auskennen, sollten Sie sich nicht zu einer gewissen Nachlässigkeit verleiten und die Grundsätze der Maschinensicherheit außer Acht lassen.** Eine fahrlässige Handlung kann bereits im Bruchteil einer Sekunde zu schweren Verletzungen führen.

## Maschinengebrauch und Pflege

- **Nicht zu viel Druck auf die Maschine ausüben. Stets die richtige Maschine für die jeweiligen Arbeiten benutzen.** Durch die passende Maschine lassen sich die Arbeiten besser und sicherer in dem jeweils vorgesehenen Tempo erledigen.
- **Verwenden Sie die Maschine nicht, wenn sie sich mit dem Schalter weder ein- noch ausschalten lässt.** Eine Maschine, die sich nicht mehr ein- oder ausschalten lässt, ist gefährlich und muss repariert werden.
- **Ziehen Sie den Netzstecker aus der Steckdose bzw. nehmen Sie den Akku von der Maschine ab, sofern dies möglich ist, bevor Sie Einstellungen vornehmen, das Zubehör wechseln oder die Maschine verstauen.** Diese vorbeugenden Sicherheitsmaßnahmen verringern das Risiko eines unbeabsichtigten Anlaufs.
- **Unbenutzte Maschinen sollten nicht in Reichweite von Kindern aufbewahrt werden.** Personen, die die Maschine oder diese Anleitung nicht kennen, sollte die Benutzung der Maschine untersagt werden. In den Händen ungeschulter Benutzer sind Maschinen gefährlich.
- **Warten Sie Maschinen und Zubehör. Achten Sie auf falsch ausgerichtete oder fest sitzende Teile, Bruchstellen und sonstige Umstände, die den Maschinenbetrieb beeinträchtigen können.** Lassen Sie die Maschine bei Beschädigung vor dem Gebrauch reparieren. Viele Unfälle entstehen durch schlecht gewartete Maschinen.
- **Halten Sie Schneidemaschinen scharf und sauber.** Sachgemäß gewartete Schneidemaschinen mit scharfen Schneiden neigen weniger zum Festfahren und sind leichter zu kontrollieren.
- **Benutzen Sie die Maschine, Zubehör, Maschinenteile usw. gemäß diesen Anweisungen** und berücksichtigen Sie dabei die Arbeitsbedingungen und die auszuführenden Arbeiten. Die Verwendung der Maschine für andere als die vorgesehenen Arbeiten kann zu einer gefährlichen Situation führen.
- **Halten Sie die Griffe und Griffflächen trocken, sauber und frei von Öl und Fett.** Rutschige Griffe und Griffflächen beeinträchtigen die sichere Handhabung der Maschine und führen in unerwarteten Situationen zum Verlust der Kontrolle über das Maschine.

## Benutzung und Wartung des Akkus

- **Laden Sie den Akku nur mit dem vom Hersteller vorgegebenen Ladegerät auf.** Ein Ladegerät das für einen bestimmten Akkutyp geeignet ist, kann bei der Benutzung eines anderen Akkus zu einer Brandgefahr werden.
- **Verwenden Sie die Maschine nur mit den eigens dafür vorgesehenen Akkus.** Bei Verwendung anderer Akkus besteht Verletzungs- und Brandgefahr.
- **Wenn der Akku nicht benutzt wird, halten Sie ihn von anderen metallischen Gegenständen fern, wie etwa Büroklammern, Münzen, Schlüssel, Nägel, Schrauben oder anderen kleinen Metallgegenständen, die eine Verbindung zwischen den Polen herstellen können.** Das Kurzschließen der Pole kann Verbrennungen oder Brände verursachen.
- **Bei unsachgemäßer Anwendung kann Flüssigkeit aus dem Akku austreten; Kontakt vermeiden. Falls Sie versehentlich mit Akkusäure in Berührung gekommen sind, spülen Sie mit Wasser.** Falls Akkusäure in die Augen geraten ist, suchen Sie zudem einen Arzt auf. Aus dem Akku austretende Flüssigkeit kann Reizungen oder Verätzungen verursachen.
- **Benutzen Sie keine beschädigten oder modifizierten Akkus oder Maschinen.** Beschädigte oder umgebaute Akkus können sich unvorhergesehen verhalten, wodurch möglicherweise ein Brand, eine Explosion oder Verletzungen verursacht werden.
- **Akkus oder Maschinen vor Feuer oder extremen Temperaturen schützen.** Feuer oder Temperaturen über 130 °C können eine Explosion verursachen.
- **Befolgen Sie alle Ladeanweisungen und laden Sie den Akku oder die Maschine nicht außerhalb des Temperaturbereichs auf, der in der Anleitung angegeben ist.** Das unsachgemäße Aufladen oder Laden außerhalb des angegebenen Temperaturbereichs kann den Akku beschädigen und die Brandgefahr erhöhen.

## Wartung

- **Lassen Sie die Maschine nur von qualifiziertem Fachpersonal und nur mit Original-Ersatzteilen**

**reparieren.** Dadurch wird sichergestellt, dass die Sicherheit der Maschine gewahrt bleibt.

- **Reparieren Sie unter keinen Umständen beschädigte Akkus.** Akkus sollten ausschließlich vom Hersteller selbst oder einer autorisierten Reparaturwerkstatt repariert werden.

## SICHERHEITSHINWEISE FÜR EISBOHRER

- **Ersetzen Sie die Bohrer, wenn sie Risse aufweisen, verbogen oder auf sonstige Art und Weise beschädigt sind.** Der Betrieb der Maschine mit einem beschädigten Eisbohrer kann zu schweren Verletzungen führen.
- **Verwenden Sie den Eisbohrer niemals mit den Griffen über Hüfthöhe.** Dies schränkt die Kontrolle über den Eisbohrer ein und kann das Verletzungsrisiko erhöhen.
- **Halten Sie die Maschine mit beiden Händen an den dafür vorgesehenen Griffen.** Ein Verlust der Kontrolle über die Maschine kann Verletzungen hervorrufen.
- **Halten Sie die Maschine an den isolierten Griffflächen fest, wenn Arbeiten ausgeführt werden, bei denen das Grabwerkzeug auf verdeckte Leitungen treffen kann.** Trifft das Grabwerkzeug auf ein Strom führendes Kabel, besteht die Gefahr, dass die blanken Metallteile des Geräts ebenfalls Strom führen, sodass für den Bediener Stromschlaggefahr besteht.
- **Um die Gefahr eines Stromschlags zu verringern, verwenden Sie den Bohrer niemals in der Nähe von unterirdischen Stromkabeln.** Der Kontakt mit oder die Verwendung in der Nähe von erdverlegten Stromleitungen kann zu schweren Verletzungen oder Stromschlägen mit Todesfolge führen.
- **Starten Sie die Maschine immer mit niedriger Drehzahl.** Der Eisbohreraufsatz muss den Boden berühren. Bei höheren Geschwindigkeiten kann sich der Bohrer verbiegen, wenn er sich frei drehen kann, ohne den Boden zu berühren. Dies kann zu Verletzungen führen.
- **Druck nur in direkter Linie mit dem Bohrer ausüben und keinen übermäßigen Druck ausüben.** Bohrer können sich verbiegen, sodass sie brechen oder einen Kontrollverlust herbeiführen. Dadurch besteht Verletzungsgefahr.
- **Achten Sie immer darauf, dass Sie einen festen Stand haben.** Wenn Sie die Maschine an hoch gelegenen Stellen benutzen, achten Sie darauf, dass sich niemand darunter befindet.
- **Halten Sie die Maschine gut fest.**
- **Halten Sie die Hände von den rotierenden Teilen fern.**
- **Lassen Sie die Maschine nicht laufen, wenn Sie weggehen. Schalten Sie die Maschine nur ein, wenn Sie sie in der Hand halten.**
- **Berühren Sie den Eisbohreraufsatz nicht unmittelbar nach der Arbeit.** Er kann extrem heiß sein und Ihre Haut verbrennen.
- **Wenn mit der Maschine etwas nicht in Ordnung ist, wie z. B. ungewöhnliche Geräusche, stellen Sie den Betrieb sofort ein und wenden Sie sich zur Reparatur an Ihr örtliches Servicezentrum.**
- **Um die Explosionsgefahr zu verringern, verwenden Sie den Eisbohrer niemals in der Nähe von unterirdischen Gasleitungen, einschließlich Wasserleitungen und Rohren.** Der Kontakt mit oder die Verwendung in der Nähe von erdverlegten Wasser- oder Gasleitungen kann zum Bersten von Wasserleitungen und zur Explosion von Gasleitungen führen, was zu schweren Verletzungen oder zum Tod führen kann.
- **Arbeiten Sie niemals mit einer höheren Drehzahl als der maximalen Drehzahl des Eisbohreraufsatzes.** Bei höheren Geschwindigkeiten kann sich der Bohrer verbiegen, wenn er sich frei drehen kann, ohne das Werkstück zu berühren. Dies kann zu Verletzungen führen.
- **Akkubetriebene Maschinen müssen nicht an eine Steckdose angeschlossen werden; sie sind daher immer einsatzbereit. Seien Sie sich möglicher Gefahren bewusst, selbst wenn die Maschine nicht in Betrieb ist.** Lassen Sie bei Wartungsarbeiten oder Reparaturen Vorsicht walten.
- **Die Maschine nicht mit einem Wasserschlauch abspritzen. In den Motor und die elektrischen Verbindungen darf kein Wasser gelangen.**
- **Die Eisklingen sind sehr scharf. Seien Sie beim Bohren eines Lochs oder beim Auswechseln der Klingen äußerst vorsichtig. Bringen Sie den Klingenschutz nach jedem Gebrauch an.**
- **Kontrollieren Sie regelmäßig, ob die Sicherungsschraube fest sitzt.**
- **Nur mit den angegebenen Akkus und Ladegeräten verwenden.**

**Heben Sie diese Anleitung auf.** Schlagen Sie gegebenenfalls darin nach und verwenden Sie sie, um andere in die Verwendung dieser Maschine einzuweisen. Falls Sie diese Maschine an andere verleihen, händigen Sie ihnen auch diese Anleitung aus, um einem Missbrauch der Maschine und möglichen Verletzungen vorzubeugen.

## TECHNISCHE DATEN

DE

Eisbohreraufsatz/ Lochdurchmesser	200 mm	
Maximale Bohrtiefe	990 mm	
Gewicht (ohne Akku)	3.7 kg	
Empfohlene Betriebstemperatur	-20°C - 40°C	
Empfohlene Lagertemperatur	-40°C - 70°C	
Schalleistungspegel $L_{WA}$	97.6 dB(A) K=3 dB(A)	
Schalldruckpegel $L_{PA}$	89.6 dB(A) K=3 dB(A)	
Vibration $a_h$	Rechter Griffbügel	2.52 m/s <sup>2</sup> K=1.5 m/s <sup>2</sup>
	Linker Griff- bügel	2.45 m/s <sup>2</sup> K=1.5 m/s <sup>2</sup>

- Der angegebene Vibrationsgesamtwert wurde nach einem Standard-Prüfverfahren gemessen und kann zum Vergleich mit einer anderen Maschine herangezogen werden.
- Der angegebene Vibrationsgesamtwert kann auch zur vorläufigen Risikobewertung herangezogen werden.

**HINWEIS:** Die beim Einsatz der Maschine auftretenden Vibrationen können von dem angegebenen Wert abweichen. Zum Schutz des Bedieners sollten beim eigentlichen Einsatz der Maschine Handschuhe und ein Gehörschutz getragen werden.

## EMPFOHLENES ZUBEHÖR

**⚠️ WARNUNG:** Verwenden Sie nur das unten aufgeführte Zubehör. Die Verwendung von Zubehör, das die technischen Voraussetzungen in Erstausrüsterqualität nicht erfüllt, kann zu Beeinträchtigungen bei der Geräteleistung und -sicherheit führen.

BEZEICHNUNG DER TEILE	MODELLNUMMER
Klinge des Eisbohreraufsatzes	AB08001

## PACKLISTE (ABB. A)

### BESCHREIBUNG

#### BESCHREIBUNG IHRES EISBOHRERAUFsatzES (Abb. A)

- Eisbohreraufsatz
- Sicherungsschraube
- Messerschutz
- Eisklinge
- Innensechskantschlüssel (6 mm)

### MONTAGE

#### ANBRINGEN DES EISBOHRENBOHRERAUFsatzES

**⚠️ WARNUNG:** Der Eisbohreraufsatz ist sehr scharf. Um Verletzungen zu vermeiden, seien Sie beim Reinigen, Anbringen oder Entfernen des Eisbohreraufsatzes äußerst vorsichtig. Tragen Sie bei Wartungsarbeiten an dem Eisbohreraufsatz immer Schutzhandschuhe.

- Lösen und entfernen Sie die Sicherungsschraube des Eisbohreraufsatzes.
- Montieren Sie das obere Ende des Eisbohreraufsatzes auf der Antriebswelle des Kombimotors (Abb. B1).
- Richten Sie die Verbindungslöcher an des Eisbohreraufsatzes und der Antriebswelle aus.
- Sichern Sie den Eisbohreraufsatz mit der Sicherungsschraube an der Antriebswelle. Ziehen Sie die Sicherungsschraube mit dem mitgelieferten 6-mm-Innensechskantschlüssel fest an (Abb. B2).

B1-1	Antriebswelle	B1-2	Oberes Ende des Eisbohreraufsatzes
B2-1	Antriebswelle	B2-2	Sicherungsschraube
B2-3	Flache Seite		

**HINWEIS:** Vergewissern Sie sich, dass die Sicherungsschraube von der flachen Seite des Bohrlochs aus in die Verbindungslöcher eingeführt wird.

### BETRIEB

#### VERWENDUNGSZWECK

Sie können dieses Produkt für die unten aufgeführten Zwecke einsetzen:

- Mit dem Eisbohreraufsatz Löcher in Eis bohren.

### STARTEN/STOPPEN DES EISBOHRERS

Siehe das Kapitel „STARTEN/STOPPEN DES KOMBIMOTORS“ in der Betriebsanleitung des Kombimotors PHA7400E.

**HINWEIS:** Tragen Sie Schutzhandschuhe und entfernen Sie den Eisklingenschutz, bevor Sie die Maschine in Betrieb nehmen.

### ARBEITEN MIT DEM EISBOHRER

#### **WARNUNG:**

- Kontaktieren Sie vor der Verwendung der Maschine den örtlichen Versorgungsbetrieb bezüglich der Kennzeichnung unterirdischer Versorgungsleitungen, um den Kontakt mit unterirdischen Versorgungsleitungen zu vermeiden.
- Verwenden Sie den Eisbohrer ausschließlich für den vorgesehenen Zweck.
- Verwenden Sie den Eisbohrer nur zum Bohren von Löchern im Eis.
- Graben Sie nicht in Material, bei denen der Verdacht besteht, dass sich Nägel oder andere Dinge darin befinden, die dazu führen könnten, dass der Eisbohreraufsatz blockiert oder bricht.
- Achten Sie auf die Drehmomentreaktionskraft der Maschine. Behalten Sie stets eine Betriebsposition bei, in der Sie der Drehmomentreaktionskraft standhalten können.
- Seien Sie besonders vorsichtig, wenn Sie an Hängen oder auf unebenen Flächen arbeiten.

**HINWEIS:** Stellen Sie vor dem Betrieb sicher, dass sich keine Fremdkörper (Sand, Schmutz usw.) in den Öffnungen oder beweglichen Teilen befinden.

- a. Stellen Sie sicher, dass Ihre Füße fest auf der Arbeitsfläche stehen, und halten Sie die Griffe nah an Ihrer Taille. Halten Sie den rechten Griffhol mit der rechten Hand und den linken Griffhol mit der linken Hand fest (Abb. C1).

C1-1	Rechter Holm	C1-2	Linker Holm
------	--------------	------	-------------

**WARNUNG:** Halten Sie niemals den rechten Griffhol mit der linken Hand und den linken Griffhol mit der rechten Hand. Eine falsche Handposition kann zu schweren Verletzungen führen (Abb. C2).

**WARNUNG:** Vermeiden Sie eine falsche Positionierung (Abb. C3). Stehen Sie nicht zu weit von der Maschine entfernt. Im Falle eines Rückschlags ist eine angemessene Reaktion und Kontrolle möglicherweise nicht möglich.

- b. Halten Sie den Eisbohreraufsatz von Ihrem Körper weg und richten Sie sie im 90° Winkel nach unten zur Fläche.
- c. Stellen Sie Drehrichtung und Drehzahl ein.
- d. Heben Sie die Maschine über die Fläche. Halten Sie den Auslöser-Freigabeschalter gedrückt und drücken Sie den Auslöseschalter.

**WARNUNG:** Berühren Sie den Eisbohreraufsatz nicht, wenn das Produkt eingeschaltet ist.

- e. Lassen Sie den Eisbohrer seine volle Geschwindigkeit erreichen.
- f. Senken Sie den Eisbohreraufsatz in die Oberfläche und behalten Sie dabei den 90°-Winkel bei (Abb. C4). Lassen Sie den Eisbohreraufsatz in das Material eindringen und überlassen Sie die Arbeit der Maschine.
- g. Wenn sich der Eisbohreraufsatz mit Schmutz füllt, ist es wichtig, ihn regelmäßig von dem Schmutz zu befreien, um ein sauberes Loch zu erzeugen und den erforderlichen Kraftaufwand zu reduzieren. Heben Sie den Eisbohrer bei voller Geschwindigkeit langsam aus dem Loch und lassen Sie den Schmutz aus dem Eisbohreraufsatz abfallen.
- h. Lassen Sie nach dem Gebrauch dieser Maschine den Auslöseschalter los und warten Sie, bis der Eisbohrer vollständig zum Stillstand kommt.
- i. Wenn Sie die Maschine stehen lassen, z. B. während einer Pause, darf die Maschine nicht im Eis versenkt oder an eine Wand gelehnt werden. Bringen Sie den Messerschutz am Eisbohreraufsatz an und lagern Sie die Maschine in einer stabilen Position.

### TIPPS FÜR DEN GEBRAUCH DES EISBOHRERS

- Durch übermäßigen Druck auf die Maschine wird das Graben nicht beschleunigt. Übermäßiger Druck führt lediglich zur Beschädigung des Bohrer-aufsatzes, verringert die Leistung der Maschine und verkürzt ihre Lebensdauer.
- Graben Sie beim Bohren eines tiefen Lochs oder in Lehmboden nicht in einem Durchgang. Graben Sie das Loch, indem Sie die Maschine auf und ab heben, sodass die lose Erde im Loch ausgeworfen wird.
- Wenn sich die Drehgeschwindigkeit der Maschine aufgrund des Betriebs unter hoher Belastung verlangsamt, heben Sie die Maschine etwas an und bewegen Sie sie auf und ab, um in kleinen Schritten zu bohren.
- Ein festsitzender Eisbohreraufsatz kann einfach entfernt werden, indem der Eisbohrer in den Rückwärtsgang gestellt wird. Stützen Sie die Maschine

im Rückwärtsgang mit Ihrem Körper ab, um eine rechtsläufige Reaktion zu verhindern.

- Bevor Sie mit einem Eisbohreraufsatz auf zugefrorenen Teichen, Seen oder Dämmen arbeiten, sollten Sie sich bei den örtlichen Behörden erkundigen und alle notwendigen Vorkehrungen treffen, um eine sichere Eisdicke zu gewährleisten.
- Wenn Sie den Eisbohreraufsatz aus dem Loch nehmen, heben Sie die Maschine senkrecht an, damit der Eisbohrer gerade und ohne Verkantung herausgezogen werden kann. Um Spritzer beim Bohren von Eislöchern zu vermeiden, lassen Sie den Auslöseschalter sofort los, wenn der Eisbohreraufsatz das Eis durchbricht. Heben Sie die Maschine langsam an. Decken Sie Bohrlöcher ab und kennzeichnen Sie sie deutlich, damit niemand in ein Loch treten kann.

## WARTUNG

**⚠️ WARNUNG:** Um schwere Eigenverletzungen zu verhindern, entfernen Sie den Akku aus dem Produkt, bevor Sie die Maschine warten, reinigen, Anbauwerkzeuge auswechseln oder Schnittgut aus der Maschine entfernen.

### ALLGEMEINE WARTUNG

- Zum Reinigen von Kunststoffteilen Lösungsmittel vermeiden. Die verschiedenen handelsüblichen Lösungsmittel greifen die meisten Kunststoffe an. Verwenden Sie saubere Lappen zum Entfernen von Schmutz, Staub, Öl, Fett usw.

**⚠️ WARNUNG:** Halten Sie unter allen Umständen Bremsflüssigkeit, Benzin, Erzeugnisse auf Erdölbasis, Kriechöle usw. von den Kunststoffteilen fern. Chemikalien können Kunststoffe angreifen, schwächen oder zerstören, was zu schweren Verletzungen führen kann.

### AUSWECHSELN DER EISKLINGEN

- Wenn der Eisbohrer beim Bohren von Eislöchern auf dem Eis springt oder nur langsam durch das Eis schneidet, müssen möglicherweise die Eisklingen ersetzt werden.
  - Erforderliche Werkzeuge: 6 mm Innensechskantschlüssel (mitgeliefert), 3 mm Innensechskantschlüssel (nicht mitgeliefert)
1. Nehmen Sie den Akku aus der Maschine und entfernen Sie den Eisbohreraufsatz von der Antriebswelle des Kombimotors, indem Sie die Sicherungsschraube mit dem 6-mm-Innensechskantschlüssel lösen und entfernen.

2. Tragen Sie Schutzhandschuhe und entfernen Sie den Eisklingenschutz (Abb. D1).
3. Lösen und entfernen Sie mit dem 3-mm-Innensechskantschlüssel die Schrauben und Eisklingen vom Eisbohreraufsatz. (Abb. D2)
4. Ersetzen Sie die Klingen durch neue und ziehen Sie sie fest an.
5. Bringen Sie den Klingenschutz an.

D1-1	Messerschutz	D1-2	Eisklingen
D2-1	Schraube	D2-2	Eisklinge

### LAGERUNG DES EISBOHRENBOHRERAUFSATZES

1. Entfernen Sie den Akkusatz.
2. Entfernen Sie der Eisbohreraufsatz von der Antriebswelle des Kombimotors.
3. Reinigen Sie den Eisbohreraufsatz gründlich, bevor Sie ihn verstauen.
4. Montieren Sie den Klingenschutz auf den Eisbohreraufsatz.
5. Lagern Sie der Eisbohreraufsatz an einem trockenen, gut belüfteten Ort, der sich abschließen lässt oder hoch gelegen und für Kinder un erreichbar ist. Lagern Sie den Eisbohreraufsatz nicht auf oder neben Düngemitteln, Benzin oder anderen Chemikalien.

### Schutz der Umwelt



Elektrogeräte, alte Akkus und Ladegeräte dürfen nicht im Hausmüll entsorgt werden! Die Maschine muss einer offiziellen Recycling-Sammelstelle zur getrennten Entsorgung zugeführt werden. Elektrowerkzeuge müssen bei einem umweltfreundlichen Recycling-Betrieb abgegeben werden.

## STÖRUNGSBEHEBUNG

DE

PROBLEM	URSACHE	LÖSUNG
Die Maschine startet nicht oder stoppt unerwartet.	<ul style="list-style-type: none"> <li>■ Niedriger Akkuladestand.</li> <li>■ Der Akku ist überhitzt oder zu kalt.</li> <li>■ Das rechte Griffkabel ist nicht richtig mit dem Kombimotorkabel verbunden.</li> </ul>	<ul style="list-style-type: none"> <li>■ Den Akku aufladen.</li> <li>■ Warten Sie, bis der Akku abgekühlt bzw. aufgewärmt ist. Dann kann der Eisbohrer erneut gestartet werden.</li> <li>■ Verbinden Sie die Kabel des rechten Griffholms und des Kombimotors gemäß dem Abschnitt „<b>MONTAGE DER HOLME</b>“ in der Bedienungsanleitung des Kombimotors PHA7400E.</li> </ul>
Der Eisbohrer springt auf dem Eis oder schneidet nur langsam durch das Eis.	<ul style="list-style-type: none"> <li>■ Einige Teile sind lose.</li> </ul>	<ul style="list-style-type: none"> <li>■ Stoppen Sie den Eisbohrer, nehmen Sie den Akku heraus, suchen Sie nach losen Teilen und ziehen Sie sie fest.</li> </ul>
Die Drehrichtung oder Geschwindigkeit des Eisbohrers wird nach dem Drücken des Wahlschalter für Drehrichtung/ Geschwindigkeit nicht gewechselt.	<ul style="list-style-type: none"> <li>■ Loser Eisbohreraufsatz.</li> </ul>	<ul style="list-style-type: none"> <li>■ Bringen Sie den Eisbohreraufsatz erneut an, wie im Abschnitt „<b>ANBRINGEN DES EISBOHRENBOHRERAUFSAZES</b>“ in diesem Handbuch beschrieben.</li> </ul>
Ice auger jumps on the ice or cuts slowly through the ice.	<ul style="list-style-type: none"> <li>■ Die Klingen sind stumpf oder beschädigt.</li> </ul>	<ul style="list-style-type: none"> <li>■ Ersetzen Sie die Klingen wie im Abschnitt „<b>AUSWECHSELN DER EISKLINGEN</b>“ in diesem Handbuch beschrieben.</li> </ul>
The auger rotation direction or speed is not switched after pushing the rotation direction/ speed selector.	<ul style="list-style-type: none"> <li>■ Das Umschalten der Drehrichtung zwischen Vorwärts- und Rückwärtslauf ist nur bei stillstehendem Eisbohrer möglich.</li> <li>■ Andere unbestimmte Ursachen.</li> </ul>	<ul style="list-style-type: none"> <li>■ Stoppen Sie den Eisbohrer vollständig, stellen Sie den Wahlschalter für Drehrichtung/Geschwindigkeit auf die gewünschte Drehrichtung und starten Sie den Eisbohrer dann erneut.</li> <li>■ Wenden Sie sich zur Reparatur an das EGO-Servicezentrum.</li> </ul>

## GARANTIE

### EGO-GARANTIEBEDINGUNGEN

Sämtliche EGO-Garantiebedingungen finden Sie auf der Website [egopowerplus.eu](http://egopowerplus.eu).

## LISEZ TOUTES LES INSTRUCTIONS !

**FR**

**LIRE LA NOTICE D'UTILISATION**

**⚠ AVERTISSEMENT** : Pour garantir la sécurité et la fiabilité, toutes les réparations doivent être effectuées par un réparateur qualifié.

## SYMBOLE DE SECURITE

L'objectif des symboles de sécurité est d'attirer votre attention sur des dangers potentiels. Les symboles de sécurité et les explications les accompagnant doivent être lus attentivement et compris. Les symboles de mise en garde ne permettent pas par eux-mêmes d'éliminer les dangers. Les consignes et mises en garde ne se substituent pas à des mesures de prévention des accidents appropriées.

**⚠ AVERTISSEMENT** : Lisez et comprenez impérativement toutes les consignes de sécurité de ce manuel d'utilisation, y compris les symboles de mise en garde de sécurité tels que « **DANGER** », « **AVERTISSEMENT** » et « **ATTENTION** » avant d'utiliser cet outil. Le non-respect de toutes les instructions énumérées ci-dessous peut entraîner un choc électrique, un incendie et / ou de graves blessures.

## CONSIGNES DE SÉCURITÉ

Cette page décrit des symboles de sécurité pouvant être présents sur ce produit. Lisez, comprenez et respectez toutes les instructions présentes sur l'outil avant d'essayer de l'assembler et de l'utiliser.



Alerte de sécurité



Pour réduire le risque de blessures, l'utilisateur doit lire la notice d'utilisation.



Porter une protection oculaire



Porter une protection auditive



Les produits électriques usagés ne doivent pas être jetés avec les ordures ménagères. Apportez-les dans un centre de recyclage agréé.



Ce produit est conforme aux directives CE applicables.



Courant continu



Cette machine est conforme à la législation britannique applicable.

V Tension

kg Kilogramme

°C Celsius

mm Millimètre

/min Tours par minute

IPX4 Protection contre les éclaboussures d'eau

## CONSIGNES DE SÉCURITÉ GÉNÉRALES POUR LA MACHINE

**⚠ AVERTISSEMENT** : Lisez toutes les mises en garde, consignes, illustrations et spécifications fournies avec cette machine. Le non-respect des consignes figurant ci-dessous peut provoquer un choc électrique, un incendie et/ou de graves blessures.

Conservez tous les avertissements et consignes pour pouvoir vous y référer ultérieurement.

### Sécurité de la zone de travail

- **Maintenez la zone de travail propre et bien éclairée.** Les endroits sombres ou désordonnés augmentent les risques d'accident.
- **N'utilisez pas les machines dans des atmosphères explosives, par exemple en présence de liquides, d'essence ou de poussières inflammables.** Les machines génèrent des étincelles pouvant enflammer poussières et vapeurs.
- **Veillez à ce que les enfants et les passants restent éloignés de la machine pendant l'utilisation.** Un moment d'inattention peut vous faire perdre le contrôle de l'outil.

### Sécurité électrique

- **La fiche de la machine doit correspondre à la prise électrique. Ne modifiez jamais la prise de quelque manière que ce soit. N'utilisez jamais d'adaptateur avec des machines pourvues d'une mise à la terre.** Les fiches non modifiées et les prises électriques appropriées réduisent le risque de choc électrique.
- **Évitez tout contact physique avec des surfaces mises à la terre ou mises à la masse, telles que tuyaux, radiateurs, fours et réfrigérateurs.** Il y a un risque accru de choc électrique si votre corps est relié à la terre ou à la masse, directement ou indirectement.
- **N'exposez pas les machines à la pluie ou à l'humidité.** Si de l'eau pénètre dans une machine, cela accroît le risque d'électrocution.
- **Prenez soin du câble d'alimentation.** N'utilisez jamais le cordon d'alimentation pour porter, tirer ou débrancher la machine. Veillez à ce que le câble d'alimentation n'entre jamais en contact avec de l'huile, des pièces mobiles, des arêtes tranchantes, et ne soit jamais exposé à de la chaleur. Les câbles d'alimentation endommagés ou emmêlés augmentent le risque de choc électrique.
- **Quand vous utilisez une machine en extérieur,**

**utilisez une rallonge électrique adaptée à un usage en extérieur.** L'utilisation d'une rallonge conçue pour un usage en extérieur permet de réduire le risque de choc électrique.

- **S'il est impossible d'éviter d'utiliser une machine dans un endroit humide, utilisez une alimentation protégée par un disjoncteur de fuite à la terre.** L'utilisation d'un DDFR réduit le risque de choc électrique.

FR

### Sécurité des personnes

- **Faites preuve de vigilance et de concentration sur ce que vous faites et exercez votre bon sens lors de l'utilisation d'une machine. N'utilisez pas une machine quand vous êtes fatigué(e), sous l'emprise de l'alcool, de stupéfiants ou de médicaments.** Un moment d'inattention pendant l'utilisation d'une machine peut provoquer des blessures corporelles graves.
- **Utilisez des équipements de protection individuelle. Portez toujours une protection oculaire. L'utilisation d'équipements de protection appropriés aux conditions de travail, tels qu'un masque anti-poussières, des chaussures de sécurité antidérapantes, un casque et des protections auditives, permet de réduire les risques de blessures corporelles.**
- **Évitez les démarrages accidentels. Vérifiez que l'interrupteur marche/arrêt est dans la position arrêt avant de brancher la machine dans une prise électrique et/ou d'insérer la batterie, de le saisir ou de le transporter.** Transporter des machines avec le doigt sur l'interrupteur marche/arrêt ou mettre sous tension des machines dont l'interrupteur est activé augmente le risque d'accidents.
- **Retirez toutes les clés de réglage et de serrage avant de mettre la machine en marche.** Une clé de réglage ou de serrage laissée sur une pièce rotative de la machine peut provoquer des blessures corporelles.
- **N'essayez pas d'atteindre des endroits difficiles d'accès.** Conservez en permanence un bon appui et un bon équilibre. Cela permet un meilleur contrôle de la machine en cas de situations inattendues.
- **Portez une tenue adaptée. Ne portez pas de vêtements amples ni de bijoux. Maintenez vos cheveux et vos vêtements éloignés des pièces mobiles.** Les vêtements amples, les bijoux et les cheveux longs peuvent se prendre dans les pièces mobiles.
- **Si un outil est conçu pour être utilisé avec des dispositifs d'extraction et de récupération des**

poussières, veillez à ce que ces dispositifs soient raccordés et correctement utilisés. L'utilisation de dispositifs de récupération des poussières permet de réduire les risques liés aux poussières.

- **Continuez à respecter les principes de sécurité même si vous vous sentez familiarisé(e) à l'utilisation de la machine.** La négligence peut provoquer de graves blessures en une fraction de seconde.

## Utilisation et entretien de la machine

- **Ne forcez pas sur la machine. Utilisez une machine adaptée à votre travail.** L'utilisation d'une machine qui convient au travail à effectuer permet de réaliser ce travail plus efficacement, avec une sécurité accrue et au rythme pour lequel la machine a été conçue.
- **N'utilisez pas la machine si son interrupteur marche/arrêt ne permet pas de l'allumer et de l'éteindre.** Une machine qui ne peut pas être contrôlée avec son interrupteur marche/arrêt est dangereuse et doit être réparée.
- **Débranchez la fiche de l'alimentation électrique et/ou retirez la batterie, si amovible, de la machine avant tout réglage ou changement d'accessoire, et avant de ranger la machine.** De telles mesures de sécurité préventives réduisent le risque de démarrage accidentel de la machine.
- **Conservez la machine à l'arrêt hors de portée des enfants et ne laissez pas des personnes non familiarisées avec la machine ou les présentes consignes utiliser la machine.** Les machines sont dangereuses dans les mains d'utilisateurs non formés.
- **Entretenez les machines et les accessoires.** Contrôlez la machine pour vérifier qu'aucune pièce mobile n'est grippée ou mal alignée, qu'aucune pièce n'est cassée, et pour tout autre problème qui pourrait affecter son fonctionnement. Si elle est endommagée, faites réparer la machine avant utilisation. De nombreux accidents sont dus à des machines mal entretenues.
- **Veillez à ce que les machines de coupe restent affûtées et propres.** Des machines de coupe bien entretenues et affûtées risquent moins de se coincer et sont plus faciles à contrôler.
- **Utilisez la machine, ses accessoires, mèches/embouts et toutes les autres pièces conformément au présent mode d'emploi, en prenant en compte les conditions d'utilisation et le travail à effectuer.** L'utilisation de la machine à d'autres finalités que celles pour lesquelles elle a été conçue peut engendrer des situations dangereuses.
- **Maintenez les poignées et surfaces de préhension propres, sèches et exemptes d'huile et de graisse.** Les poignées et surfaces de préhension glissantes ne permettent pas de tenir et de contrôler la machine de manière sûre en cas de situations inattendues.

## Utilisation et entretien des machines à batterie

- **Rechargez la batterie exclusivement avec le chargeur spécifié par le fabricant.** Un chargeur adapté à un type de batterie en particulier peut présenter un risque d'incendie s'il est utilisé avec un type de batterie différent.
- **Utilisez les machines uniquement avec la batterie indiquée.** L'utilisation de toute autre batterie peut engendrer un risque de blessures et d'incendie.
- **Lorsque la batterie n'est pas utilisée, elle doit être rangée à l'écart de tout objet métallique, tel que les trombones, pièces de monnaie, clés, clous, vis et tous les autres petits objets métalliques pouvant mettre en contact ses bornes.** Mettre en court-circuit les bornes de la batterie peut provoquer des brûlures et un incendie.
- **Si la batterie est soumise à des conditions d'utilisation excessives, du liquide peut s'en échapper. Évitez tout contact avec ce liquide. En cas de contact accidentel, rincez à grande eau. En cas de contact avec les yeux, vous devez en outre consulter un médecin.** Le liquide qui s'échappe de la batterie peut provoquer des irritations et des brûlures.
- **N'utilisez pas une batterie ou une machine endommagée ou modifiée.** Les batteries modifiées ou endommagées peuvent avoir un comportement imprévisible provoquant un incendie, une explosion ou un risque de blessure.
- **N'exposez pas la batterie ou la machine à des flammes ou à une température excessive.** L'exposition au feu ou à des températures supérieures à 130 °C peut provoquer une explosion.
- **Respectez toutes les consignes de recharge et ne rechargez pas la batterie ou la machine hors de la plage de température spécifiée dans les consignes.** La recharge incorrecte ou à des températures hors de la plage spécifiée peut endommager la batterie et accroître le risque d'incendie.

## Réparation

- **Faites réparer votre machine par un réparateur qualifié qui ne doit utiliser que des pièces de rechange identiques.** Ceci permet de garantir la sécurité de la machine.
- **Ne réparez jamais les batteries endommagées.** La

réparation des batteries doit toujours être effectuée par le fabricant ou des réparateurs agréés.

## AVERTISSEMENTS DE SÉCURITÉ POUR LA TARIÈRE À GLACE

- Remplacez les tarières si elles sont fissurées, pliées ou endommagées de quelque manière que ce soit. Faire fonctionner la machine avec une tarière endommagée peut entraîner de graves blessures.
- N'utilisez jamais la tarière avec les poignées au-dessus du niveau de la taille. Cela restreint le contrôle de la tarière et peut augmenter le risque de blessure.
- Tenez la machine à deux mains par les poignées prévues à cet effet. Une perte de contrôle peut entraîner des blessures corporelles.
- Tenez la machine par ses surfaces de préhension isolées quand vous effectuez une opération pendant laquelle l'accessoire de forage pourrait entrer en contact avec un fil électrique non visible. Si l'accessoire de forage entre en contact avec un câble électrique sous tension, les parties métalliques de l'outil peuvent se retrouver sous tension et l'opérateur risque de subir un choc électrique.
- Afin de réduire le risque d'électrocution, n'utilisez jamais la tarière à proximité de câbles électriques enterrés. Le contact avec ou l'utilisation à proximité de câbles électriques enterrés peut provoquer de graves blessures ou un choc électrique potentiellement mortel.
- Démarrez toujours la machine à basse vitesse et avec la pointe de la tarière en contact avec le sol. À une vitesse trop élevée, le foret est susceptible de se courber s'il tourne librement sans toucher le sol, entraînant des blessures corporelles.
- Exercez une pression uniquement dans l'axe du foret et ne l'exercez pas de manière excessive. Les forets peuvent se courber et se briser ou entraîner une perte de contrôle de l'appareil pouvant mener à des blessures corporelles.
- Faites toujours attention à vos appuis. Assurez-vous que personne ne se trouve en dessous lorsque vous utilisez la machine dans des endroits en hauteur.
- Tenez solidement la machine.
- Gardez les mains à distance des pièces en rotation.
- Ne laissez pas la machine en marche. Ne faites jamais fonctionner la machine sans la tenir en main.
- Ne touchez pas la tarière immédiatement après le travail. Elle peut être extrêmement chaude et causer des brûlures cutanées.
- Si quelque chose ne va pas avec la machine (ex : bruits anormaux), arrêtez immédiatement de l'utiliser et contactez votre centre de service local pour réparation.
- Afin de réduire le risque d'explosion, n'utilisez jamais la tarière à proximité de conduites de gaz enterrées, y compris les conduites d'eau et les canalisations. Le contact avec ou l'utilisation à proximité de conduites d'eau ou de gaz enterrées peut entraîner l'éclatement des conduites d'eau et l'explosion des conduites de gaz, avec un risque de blessures graves voire mortelles.
- Ne forez jamais à une vitesse supérieure à la vitesse maximale de la tarière. A une vitesse trop élevée, le foret est susceptible de se courber s'il tourne librement sans toucher la pièce, entraînant des blessures corporelles.
- Les machines alimentées par batterie n'ont pas à être branchées sur une prise de courant, elles sont donc toujours prêtes à l'emploi. Prenez garde aux dangers potentiels même lorsque la machine ne fonctionne pas. Faites attention pendant l'entretien ou la réparation.
- Ne lavez pas l'outil avec un tuyau. Évitez que de l'eau ne pénètre dans le moteur et sur les connexions électriques.
- Les lames à glace sont très tranchantes. Soyez extrêmement prudent lorsque vous forez des trous ou remplacez les lames. Remettez le protège-lame après chaque utilisation.
- Vérifiez fréquemment que la vis de verrouillage est bien montée en place.
- Utilisez l'appareil uniquement avec les batteries et chargeurs spécifiés.

**Conservez ce manuel d'utilisation.** Consultez-la fréquemment et servez-vous-en pour informer les autres personnes souhaitant utiliser cette machine. Si vous prêtez cette machine à un tiers, prêtez-lui également ce manuel d'utilisation pour éviter l'utilisation incorrecte du produit et des blessures potentielles.

## SPÉCIFICATIONS

FR

Diamètre du trou/de la tarière	200 mm	
Profondeur de forage maximale	990 mm	
Poids (sans la batterie)	3.7 kg	
Température d'utilisation recommandée	-20°C - 40°C	
Température de stockage recommandée	-40°C - 70°C	
Niveau de puissance acoustique $L_{WA}$	97.6 dB(A) K=3 dB(A)	
Niveau de pression acoustique $L_{PA}$	89.6 dB(A) K=3 dB(A)	
Vibration $a_h$	Poignée droite	2.52 m/s <sup>2</sup> K=1.5 m/s <sup>2</sup>
	Poignée gauche	2.45 m/s <sup>2</sup> K=1.5 m/s <sup>2</sup>

- La valeur totale des vibrations indiquée a été mesurée selon une procédure conforme à une méthode de test standardisée et peut servir pour comparer différentes machines.
- La valeur totale des vibrations déclarée peut également servir pour effectuer une évaluation préliminaire de l'exposition.

**REMARQUE :** Le niveau de vibrations lors de l'utilisation réelle de la machine peut être différent de la valeur déclarée totale en fonction de la manière dont la machine est utilisée. Afin de protéger l'opérateur, l'utilisateur doit porter des gants et des protections auditives en conditions réelles d'utilisation.

## ACCESSOIRES RECOMMANDÉS

**⚠ AVERTISSEMENT :** Utilisez uniquement les accessoires répertoriés ci-dessous. L'utilisation d'accessoires ne correspondant pas aux caractéristiques de l'équipement d'origine peut entraîner un dysfonctionnement et compromettre la sécurité.

NOM DES PIÈCES	NUMÉRO DE MODÈLE
Lame de tarière à glace	AB08001

## CONTENU DE L'EMBALLAGE (FIG. A)

### DESCRIPTION

#### PRÉSENTATION DE VOTRE TARIÈRE À GLACE (Fig. A)

- Tarière à glace
- Vis de verrouillage
- Fourreau de lame
- Lame à glace
- Clé Allen (6 mm)

### ASSEMBLAGE

#### INSTALLATION DE LA TARIÈRE À GLACE

**⚠ AVERTISSEMENT :** La tarière est très coupante. Afin d'éviter les blessures, faites preuve d'une extrême prudence lors du nettoyage, de l'installation ou du retrait de la tarière. Portez toujours des gants de protection pour l'entretien de la tarière.

- Desserrez et retirez la vis de verrouillage de la tarière à glace.
- Montez l'extrémité supérieure de la tarière sur l'arbre d'entraînement du bloc moteur (Fig. B1).
- Alignez les trous de raccordement de la tarière et de l'arbre d'entraînement.
- Utilisez la vis de verrouillage pour fixer la tarière à l'arbre d'entraînement. Utilisez la clé Allen de 6 mm fournie pour bien serrer la vis de verrouillage (Fig. B2).

B1-1	Arbre de transmission	B1-2	Extrémité supérieure de la tarière à glace
B2-1	Arbre de transmission	B2-2	Vis de verrouillage
B2-3	Côté plat		

**REMARQUE :** Assurez-vous que la vis de verrouillage est bien insérée dans les trous de raccordement depuis le côté plat du trou de la tarière.

## FUNCTIONNEMENT

### APPLICATION

Vous pouvez utiliser cet outil pour les usages listés ci-dessous :

- Forer des trous dans la glace à l'aide de la tarière prévue à cet effet.

### DÉMARRAGE/ARRÊT DE LA TARIÈRE À GLACE

Consultez la partie « **DÉMARRAGE / ARRÊT DU BLOC MOTEUR** » du mode d'emploi du bloc moteur PHA7400E.

**REMARQUE** : Portez des gants de protection et retirez le protège-lame avant de démarrer la machine.

### TRAVAILLER AVEC LA TARIÈRE À GLACE

#### **AVERTISSEMENT** :

- Contactez les autorités locales pour connaître l'emplacement des câbles et conduits souterrains avant d'utiliser la machine afin d'éviter tout contact avec les câbles et conduits souterrains.
- N'utilisez pas la tarière à glace à d'autres fins que celles prévues.
- Utilisez cette tarière uniquement pour forer des trous dans la glace.
- Évitez de creuser dans un matériau qui, selon vous, pourrait contenir des clous cachés ou d'autres éléments susceptibles de coincer ou de casser la tarière.
- Restez attentif à la force de réaction du couple de la machine. Gardez toujours une position de travail dans laquelle vous pouvez résister à la force de réaction du couple.
- Faites extrêmement attention quand vous travaillez sur des pentes ou des surfaces irrégulières.

**REMARQUE** : Avant toute utilisation, vérifiez qu'il n'y a pas de corps étrangers (sable, saleté, etc.) coincés dans les ouvertures ou les pièces mobiles.

- Gardez les pieds bien en appui sur la surface de travail et tenez-vous debout avec les poignées près de la taille. Tenez solidement la poignée droite de la main droite et la poignée gauche de la main gauche (Fig. C1).

C1-1	Poignée droite	C1-2	Poignée gauche
------	----------------	------	----------------

**AVERTISSEMENT** : Ne tenez jamais la poignée droite de la main gauche et la poignée gauche de la main droite. Une mauvaise position des mains peut entraîner de graves blessures (Fig. C2).

**AVERTISSEMENT** : Évitez un mauvais positionnement (Fig. C3). Ne vous tenez pas trop loin de la machine. Une réaction et un contrôle appropriés pourraient être impossibles en cas de rebond.

- Gardez la tarière éloignée de votre corps et dirigée vers le bas à un angle de 90° par rapport à la surface.
- Réglez le sens de rotation et la vitesse de rotation.
- Soulevez la machine au-dessus de la surface. Appuyez et maintenez enfoncé le bouton de verrouillage et appuyez sur la gâchette.

**AVERTISSEMENT** : Ne touchez pas la tarière lorsque la machine est en marche.

- Laissez la tarière atteindre sa pleine vitesse.
- Abaissez la tarière dans la surface en maintenant l'angle de 90° (Fig. C4). Laissez la tarière mordre dans le matériau, puis laissez la machine faire le travail.
- Lorsque la tarière commence à se remplir de débris, il est important de la nettoyer au fur et à mesure pour produire une coupe nette et réduire l'effort nécessaire. Pendant que la tarière fonctionne à pleine vitesse, sortez-la lentement du trou et laissez les débris se dégager de la mèche.
- Quand vous avez fini d'utiliser cette machine, relâchez la gâchette et laissez la tarière s'arrêter complètement.
- Lorsque vous quittez la machine, par exemple pendant une pause, ne laissez pas la machine enfoncée dans la glace et ne l'appuyez pas contre un mur. Installez le protège-lame sur la tarière à glace et rangez la machine dans une position stable.

### CONSEILS D'UTILISATION DE LA TARIÈRE À GLACE

- Une pression excessive sur la machine n'accélère pas le forage. Une pression excessive ne servira qu'à endommager la tarière, à diminuer les performances de la machine et à raccourcir sa durée de vie.
- Lorsque vous forez un trou profond ou dans un sol argileux, n'essayez pas de forer d'un seul coup. Forez le trou en soulevant la machine de haut en bas afin de permettre l'évacuation de la terre meuble du trou au fur et à mesure.
- Si la vitesse de rotation de la machine ralentit en raison d'une sollicitation trop intense, soulevez légèrement la machine et déplacez-la de haut en bas pour forer par petites étapes.

FR

- Une tarière coincée peut être retirée simplement en réglant la tarière en rotation inverse pour la faire reculer. Au moment de la marche arrière, calez la machine sur votre corps afin d'éviter une réaction dans le sens des aiguilles d'une montre.
- Avant de travailler avec une tarière à glace sur des étangs, des lacs ou des cours d'eau gelés, vérifiez auprès des autorités locales et prenez toutes les précautions nécessaires pour vous assurer que l'épaisseur de la glace est sûre.
- Lorsque vous retirez la tarière à glace du trou, soulevez la machine verticalement pour que la fraise sorte tout droit sans s'incliner. Afin de minimiser les éclaboussures lors du forage dans la glace, relâchez immédiatement la gâchette dès que la tarière traverse la glace. Soulevez lentement la machine. Couvrez et marquez clairement les trous de forage pour empêcher quelqu'un d'y tomber.

## ENTRETIEN

**⚠ AVERTISSEMENT :** Afin d'éviter des blessures corporelles graves, retirez la batterie de l'appareil avant toute opération de réparation, nettoyage, changement d'accessoires ou de retrait de matières de l'outil.

### ENTRETIEN GÉNÉRAL

- N'utilisez pas de solvant pour nettoyer les pièces en plastique. La plupart des plastiques peuvent être détériorés par de nombreux types de solvants vendus dans le commerce. Utilisez un chiffon propre pour enlever les saletés, les poussières, l'huile, la graisse, etc.

**⚠ AVERTISSEMENT :** Veillez à ce que les pièces en plastique n'entrent jamais en contact avec du liquide de frein, de l'essence, des produits à base de pétrole, du dégrissant, etc. Les produits chimiques peuvent endommager, fragiliser ou détruire les pièces en plastique, ce qui peut provoquer des blessures corporelles graves.

### REMPLACEMENT DES LAMES

- Si la tarière saute sur la glace ou ne rentre que lentement dans la glace lors du forage, les lames à glace ont peut-être besoin d'être remplacées.
  - Outils nécessaires : Clé Allen de 6 mm (fournie), clé Allen de 3 mm (non fournie)
1. Retirez la batterie de la machine et retirez la tarière à glace de l'arbre d'entraînement du bloc moteur en utilisant la clé Allen de 6 mm pour dévisser et retirer la vis de verrouillage.

2. Mettez des gants de protection et retirez le protège-lame (Fig. D1).
3. À l'aide de la clé Allen de 3 mm, dévissez et retirez les vis et les lames de la tarière. (Fig. D2).
4. Remplacez-les par des lames neuves et serrez-les bien.
5. Installez le protège-lame.

D1-1	Fourreau de lame	D1-2	Lames à glace
D2-1	Vis	D2-2	Lame à glace

### STOCKAGE DE LA TARIÈRE À GLACE

1. Retirez la batterie.
2. Retirez la tarière de la tarière de l'arbre d'entraînement du bloc moteur.
3. Nettoyez soigneusement la tarière avant de la ranger.
4. Installez le protège-lame sur la tarière à glace.
5. Rangez la tarière dans un endroit sec, bien aéré, fermé à clé ou en hauteur et hors de portée des enfants. Ne rangez pas la tarière sur ou à côté d'engrais, d'essence ou d'autres substances chimiques.

### Protection de l'environnement



Ne jetez pas les équipements électriques, les batteries et les chargeurs usagés avec les ordures ménagères ! Apportez ce produit chez un recycleur agréé et rendez-le disponible pour une collecte séparée. Les outils électriques doivent être amenés dans un centre de recyclage pour assurer le respect de l'environnement.

## GUIDE DE DÉPANNAGE

FR

PROBLÈME	CAUSE	SOLUTION
La machine ne démarre pas ou s'arrête de manière inattendue.	<ul style="list-style-type: none"> <li>■ Batterie presque épuisée.</li> <li>■ La batterie est surchauffée ou trop froide.</li> <li>■ Le câble de la poignée droite n'est pas correctement raccordé au câble du bloc moteur.</li> </ul>	<ul style="list-style-type: none"> <li>■ Rechargez le bloc de batterie.</li> <li>■ Attendez que la batterie refroidisse ou se réchauffe, après quoi la tarière peut être redémarrée.</li> <li>■ Connectez les câbles de la poignée droite et du bloc moteur en suivant la section « <b>INSTALLATION DES POIGNÉES</b> » du mode d'emploi du bloc moteur PHA7400E.</li> </ul>
La tarière à glace saute sur la glace ou coupe lentement la glace.	<ul style="list-style-type: none"> <li>■ Certaines pièces sont détachées.</li> </ul>	<ul style="list-style-type: none"> <li>■ Arrêtez la tarière, retirez la batterie, vérifiez et resserrez les pièces desserrées.</li> </ul>
Le sens ou la vitesse de rotation de la tarière ne change pas après avoir appuyé sur le sélecteur de sens de rotation/vitesse.	<ul style="list-style-type: none"> <li>■ Tarière mal fixée.</li> </ul>	<ul style="list-style-type: none"> <li>■ Réinstallez la tarière en suivant la section « <b>INSTALLATION DE LA TARIÈRE À GLACE</b> » du présent mode d'emploi.</li> </ul>
Ice auger jumps on the ice or cuts slowly through the ice.	<ul style="list-style-type: none"> <li>■ Les lames sont émoussées ou endommagées.</li> </ul>	<ul style="list-style-type: none"> <li>■ Remplacez-les par des lames neuves en suivant la section « <b>REMPLACEMENT DES LAMES À GLACE</b> » du présent mode d'emploi.</li> </ul>
The auger rotation direction or speed is not switched after pushing the rotation direction/speed selector.	<ul style="list-style-type: none"> <li>■ Le changement de sens de rotation entre la marche avant et la marche arrière n'est possible que lorsque la tarière est à l'arrêt.</li> <li>■ Autres causes non identifiées.</li> </ul>	<ul style="list-style-type: none"> <li>■ Arrêtez complètement la tarière, mettez le sélecteur de sens de rotation/vitesse sur le sens de rotation souhaité puis redémarrez la tarière.</li> <li>■ Contactez le service EGO pour la réparation.</li> </ul>

## GARANTIE

### POLITIQUE DE GARANTIE EGO

Rendez-vous sur le site web [egopowerplus.eu](http://egopowerplus.eu) pour consulter l'intégralité des conditions de la politique de garantie EGO.

## ¡LEA TODAS LAS INSTRUCCIONES!

**LEER EL MANUAL DEL USUARIO****ES**

**⚠ ADVERTENCIA:** Para garantizar la seguridad y fiabilidad de la herramienta, las reparaciones debe realizarlas únicamente un técnico cualificado.

## SÍMBOLO DE SEGURIDAD

El propósito de los símbolos de seguridad es atraer su atención hacia posibles peligros. Los símbolos de seguridad y las explicaciones que los acompañan requieren su máxima atención y comprensión. Por sí solos, los símbolos de advertencia no eliminan los posibles peligros. Las instrucciones y advertencias que proporcionan no sustituyen a las medidas adecuadas de prevención de accidentes.

**⚠ ADVERTENCIA:** Antes de utilizar esta herramienta, asegúrese de haber leído y entendido perfectamente todas las instrucciones que aparecen en este manual del usuario, incluidos todos los símbolos de aviso sobre seguridad, como «PELIGRO», «ADVERTENCIA» y «PRECAUCIÓN». Si no se observan todas las instrucciones que se indican a continuación existe riesgo de incendio, electrocución y lesiones graves.

## PRECAUCIONES DE SEGURIDAD

Esta página muestra y describe los símbolos de seguridad que puede haber en este producto. Antes del montaje y utilización del producto, asegúrese de leer, comprender y seguir todas las instrucciones que están en la máquina.



Aviso de seguridad



Para reducir el riesgo de lesiones, el usuario debe leer el manual de instrucciones.



Utilizar protección ocular



Utilizar protección auditiva



Los productos eléctricos no deben eliminarse con la basura doméstica. Llévelos a un centro de reciclaje autorizado.



Este producto está en conformidad con las directivas de la CE aplicables.



Corriente continua



Este producto está en conformidad con la legislación aplicable del Reino Unido.

V Tensión

kg Kilogramo

°C Celsius

mm Milímetro

/min Revoluciones por minuto

IPX4 Protección contra las salpicaduras de agua

## ADVERTENCIAS GENERALES DE SEGURIDAD DE LA MÁQUINA

**⚠️ ADVERTENCIA:** Lea todas las advertencias de seguridad, instrucciones, ilustraciones y especificaciones incluidas con esta máquina. Si no se cumplen todas las instrucciones que se enumeran a continuación, pueden producirse descargas eléctricas, incendios o lesiones graves.

**Conserve todas las instrucciones y advertencias para poder consultarlas en el futuro.**

### Seguridad en la zona de trabajo

- **Mantenga la zona de trabajo limpia y bien iluminada.** Las áreas de trabajo desordenadas y oscuras favorecen los accidentes.
- **No utilice máquinas en entornos explosivos, por ejemplo, en presencia de líquidos inflamables, gasolina o polvo.** Las máquinas crean chispas que pueden encender el polvo o los humos.
- **Mantenga a los niños y las demás personas alejados cuando esté utilizando una máquina.** Las distracciones podrían hacerle perder el control de la herramienta.

### Seguridad eléctrica

- **Los enchufes de las máquinas deben coincidir con la toma de corriente. No modifique nunca el enchufe de ningún modo. Nunca utilice enchufes adaptadores o ladrones de corriente con máquinas equipadas con conexión a tierra.** Si no se modifican los enchufes y estos corresponden con las tomas de corriente, se reducirán enormemente los riesgos de electrocución.
- **Evite cualquier contacto corporal con superficies conectadas a tierra, como tuberías, radiadores, hornillos eléctricos y frigoríficos.** Existe un mayor riesgo de descarga eléctrica si su cuerpo tiene conexión a tierra.
- **No exponga las máquinas a la lluvia o a condiciones de humedad.** La entrada de agua en una máquina aumentará el riesgo de descarga eléctrica.
- **No maltrate el cable. Nunca utilice el cable para transportar, arrastrar, o desenchufar la máquina. Mantenga el cable alejado del calor, el aceite, los bordes afilados o las piezas móviles.** Los cables dañados o enredados aumentan el riesgo de descarga eléctrica.
- **Cuando use una máquina al aire libre, utilice un**

**cable alargador adecuado para uso en exteriores.** Si se usa un cable adecuado para exteriores, se reducirá el riesgo de descarga eléctrica.

- **Si es inevitable usar una máquina en un entorno húmedo, utilice una alimentación con un interruptor de protección diferencial.** La utilización de un interruptor de protección diferencial reducirá el riesgo de descarga eléctrica.

ES

### Seguridad personal

- **Manténgase alerta, preste atención a lo que está haciendo y aplique el sentido común durante el uso de una máquina. No utilice una máquina si está cansado o se encuentra bajo los efectos de estupefacientes, alcohol o fármacos.** Cualquier momento de descuido durante la utilización de máquinas podría provocar lesiones físicas graves.
- **Utilice equipo de protección personal. Utilice siempre protección ocular. El equipo de protección, como máscaras antipolvo, calzado de seguridad antideslizante, casco protector o protección auditiva, cuando se utiliza adecuadamente, reduce las lesiones personales.**
- **Evite la puesta en marcha accidental de la herramienta. Asegúrese de que el interruptor de encendido se encuentra en la posición de apagado antes de enchufar la máquina a la red eléctrica y/o de acoplar la batería, así como al agarrar o transportar la máquina.** Transportar máquinas con el dedo en el interruptor o con el interruptor en la posición de encendido aumenta el riesgo de accidente.
- **Retire cualquier llave de ajuste o llave inglesa de la máquina antes de encenderla.** Una llave inglesa o una llave de ajuste enganchada a una parte giratoria de la máquina puede producir lesiones.
- **No se estire demasiado para alcanzar lugares de difícil acceso.** Mantenga una posición firme y equilibrada en todo momento. De este modo podrá controlar mejor la máquina en situaciones inesperadas.
- **Utilice ropa adecuada. No lleve ropa holgada ni joyas. Mantenga el pelo, la ropa y los guantes alejados de las piezas móviles.** La ropa holgada, así como las joyas o el pelo largo podrían engancharse en las partes móviles.
- **Si se incluyen dispositivos de conexión a extractores y colectores de polvo, asegúrese de conectarlos y utilizarlos adecuadamente.** El uso de un colector de polvo puede reducir los riesgos asociados con el polvo.
- **El hecho de haberse familiarizado con la máquina por el uso frecuente no debe hacer que se descuide**

## e ignore los principios de seguridad de la misma.

Una distracción puede provocar lesiones graves en una fracción de segundo.

### Uso y cuidado de la máquina

ES

- **No fuerce la máquina. Utilice la máquina correcta para su aplicación.** La máquina correcta funcionará mejor y con más seguridad a la velocidad para la que ha sido diseñada.
- **No use la máquina si el interruptor no funciona para encenderla y apagarla.** Cualquier máquina que no pueda controlarse mediante su interruptor, supondrá un peligro y deberá repararse antes de poder utilizarse.
- **Desconecte el enchufe de la toma de corriente y/o retire la batería de la máquina antes de realizar algún ajuste, cambiar de accesorios o guardarla.** Estas medidas preventivas de seguridad reducirán enormemente el riesgo de que la máquina pueda activarse de manera fortuita.
- **Cuando no se utilice la máquina, guárdela fuera del alcance de los niños y no permita que la use ninguna persona que no esté familiarizada con la máquina o con estas instrucciones.** Las máquinas son peligrosas si las usan personas sin experiencia.
- **Realice el mantenimiento de las máquinas y los accesorios. Compruebe si hay elementos móviles desalineados o trabados, piezas rotas u otra circunstancia que pueda afectar al funcionamiento de la máquina. Si la máquina está dañada, llévela a reparar antes de usarla.** Muchos accidentes se deben a un mantenimiento deficiente de las máquinas.
- **Mantenga las máquinas de corte afiladas y limpias.** Las máquinas de corte bien afiladas tienen menos probabilidades de atascarse y son más fáciles de controlar.
- **Use la máquina, los accesorios, las brocas, etc., siguiendo las instrucciones y teniendo en cuenta las condiciones de trabajo y la tarea a realizar.** El uso de la máquina para fines diferentes a los previstos podría provocar situaciones de peligro.
- **Mantenga las asas y las superficies de agarre secas, limpias y libres de aceite y grasa.** Si las asas y las superficies de agarre están resbaladizas, no se puede manejar la máquina de forma segura ni mantener el control en las situaciones inesperadas.

### Uso y cuidado de la máquina a batería

- **Recargue únicamente con el cargador especificado por el fabricante.** Un cargador que es adecuado para un tipo de batería podría ocasionar un incendio si se

utiliza con una batería distinta.

- **Utilice las máquinas solo con las baterías diseñadas específicamente para ellas.** El uso de cualquier otro tipo de batería puede provocar riesgo de lesiones e incendio.
- **Cuando no se esté utilizando la batería, manténgala apartada de objetos metálicos como clips para papeles, monedas, llaves, clavos, tornillos, o cualquier otro objeto metálico pequeño que pudiera provocar un cortocircuito en sus terminales de corriente.** Si se provoca el cortocircuito en los terminales de la batería, podrían producirse quemaduras o incendios.
- **En condiciones de uso intensivo, es posible que se produzca una fuga de líquido de la batería; evite el contacto. Enjuague con agua si se produce un contacto accidental. Si el líquido entra en contacto con los ojos, solicite también atención médica.** El líquido que emana de la batería puede provocar irritaciones o quemaduras.
- **No utilice una batería o una máquina que haya sido modificada o que esté dañada.** Las baterías dañadas o modificadas pueden tener un comportamiento impredecible y provocar un incendio, explosión o riesgo de lesiones.
- **No exponga la batería ni la máquina al fuego ni a una temperatura excesiva.** La exposición al fuego o a una temperatura superior a 130°C podría provocar una explosión.
- **Siga todas las instrucciones de carga y no cargue la batería ni la máquina fuera del rango de temperatura especificado en las instrucciones.** Una carga incorrecta o a temperaturas fuera del rango especificado puede dañar la batería y aumentar el riesgo de incendio.

### Reparaciones

- **Las reparaciones de la máquina debe realizarlas un técnico cualificado, utilizando solo piezas de recambio idénticas.** Solo de este modo podrá garantizarse la seguridad de la máquina.
- **No repare nunca baterías que estén dañadas.** Las baterías solo debe repararlas el fabricante o un centro de servicio técnico autorizado.

## ADVERTENCIAS DE SEGURIDAD PARA LA BARRENA PARA HIELO

- **Sustituya las barrenas si están agrietadas, dobladas o dañadas de algún modo.** El

funcionamiento de la máquina con una barrena dañada puede provocar lesiones graves.

- **No utilice nunca la barrena con las empuñaduras por encima del nivel de la cintura.** Esto limita el control de la barrena y puede aumentar el riesgo de lesiones.
- **Sujete la máquina con ambas manos por las empuñaduras previstas.** La pérdida de control puede causar lesiones personales.
- **Sujete la máquina por las superficies de agarre aisladas en aquellos trabajos donde el accesorio de perforación pueda entrar en contacto con cables ocultos.** El contacto del accesorio de perforación con un cable bajo tensión podría transmitir a las piezas metálicas expuestas de la máquina la corriente transportada por el cable, y hacer que el usuario reciba una descarga eléctrica.
- **Para reducir el riesgo de electrocución, nunca utilice la barrena cerca de cables eléctricos enterrados.** El contacto con cables eléctricos enterrados o su uso cerca de ellos puede provocar lesiones graves o descargas eléctricas con resultado de muerte.
- **Arranque siempre la máquina a baja velocidad y con la punta de la barrena en contacto con el suelo.** A velocidades más altas, es probable que la barrena se tuerza si se deja girar con libertad sin hacer contacto con el suelo, pudiendo causar alguna lesión.
- **Ejercer presión solo en línea directa con la barrena y nunca aplique una presión excesiva.** Las brocas pueden torcerse y ocasionar lesiones debido a una rotura o una pérdida de control.
- **Asegúrese siempre de tener un apoyo firme.** Asegúrese de que no haya nadie debajo cuando utilice la máquina en lugares altos.
- **Sostenga la máquina firmemente.**
- **Mantenga las manos alejadas de las piezas giratorias.**
- **No deje la máquina en funcionamiento. Utilice la máquina únicamente con la mano.**
- **No toque la barrena inmediatamente después del uso.** Puede estar extremadamente caliente y provocar quemaduras en la piel.
- **Si hay algún problema con la máquina, como sonidos anormales, deje de utilizarla inmediatamente y comuníquese con su centro de servicio local para su reparación.**
- **Para reducir el riesgo de explosión, nunca utilice la barrena cerca de líneas de gas enterradas,**

**incluidas líneas y tuberías de agua.** El contacto o el uso cerca de líneas de agua o gas enterradas puede provocar la rotura de las líneas de agua y una explosión de las líneas de gas, lo que puede causar lesiones graves o la muerte.

- **No trabaje nunca a una velocidad superior a la velocidad máxima nominal de la barrena.** A velocidades más altas, es probable que la barrena se tuerza si se deja girar con libertad sin hacer contacto con el suelo, pudiendo causar alguna lesión.
- **Las máquinas que funcionan a batería no hay que enchufarlas a una toma de corriente. Por lo tanto, siempre están listas para funcionar.** Tenga en cuenta los posibles peligros, incluso cuando la máquina no está funcionando. Preste especial atención al efectuar reparaciones u operaciones de mantenimiento en la herramienta.
- **No limpie la herramienta utilizando una manguera. Evite que penetre agua en el motor y en las conexiones eléctricas.**
- **Las cuchillas para hielo están muy afiladas. Tenga mucho cuidado al perforar un agujero o reemplazar las cuchillas. Coloque el protector de la cuchilla después de cada uso.**
- **Compruebe con frecuencia para asegurarse de que el tornillo de bloqueo esté fijado en su lugar.**
- **Utilizar sólo con las baterías y cargadores especificados.**

**Guarde estas instrucciones.** Consúltelas con frecuencia y utilícelas para instruir a otras personas que vayan a usar esta máquina. En caso de prestar esta máquina a terceros, proporciónales también estas instrucciones para evitar el uso incorrecto y posibles lesiones.

## ESPECIFICACIONES

Diámetro de barrena/orificio	200 mm
Profundidad máxima de perforación	990 mm
Peso (sin batería)	3.7 kg
Temperatura de funcionamiento recomendada	-20°C - 40°C
Temperatura de almacenamiento recomendada	-40°C - 70°C

ES

Nivel de potencia acústica $L_{WA}$	97.6 dB(A) K=3 dB(A)	
Nivel de presión acústica $L_{PA}$	89.6 dB(A) K=3 dB(A)	
Nivel de vibraciones $a_h$	Empuñadura derecha	2.52 m/s <sup>2</sup> K=1.5 m/s <sup>2</sup>
	Empuñadura izquierda	2.45 m/s <sup>2</sup> K=1.5 m/s <sup>2</sup>

- El valor de vibración total ha sido medido de acuerdo con el método de prueba estándar y se puede utilizar para comparar máquinas.
- El valor total de vibración declarado se puede usar además en una evaluación preliminar del grado de exposición.

**AVISO:** Las vibraciones generadas durante el uso real de la máquina pueden diferir del valor declarado en función de la manera en que se utilice. Como protección, el usuario debería utilizar guantes y protectores auditivos en condiciones reales de uso.

## ACCESORIOS RECOMENDADOS

**⚠ ADVERTENCIA:** Utilice solo los accesorios que se enumeran a continuación. La utilización de accesorios que no cumplan las especificaciones de los equipos originales podría provocar un funcionamiento incorrecto y reducir la seguridad de la herramienta.

NOMBRE DE LA PIEZA	N.º DE MODELO
Cuchilla de broca de barrena para hielo	AB0800I

## LISTA DE CONTENIDO (FIG. A)

### DESCRIPCIÓN

#### FAMILIARÍCESE CON LA BARRENA PARA HIELO (Fig. A)

1. Broca de barrena para hielo
2. Tornillo de bloqueo
3. Protector de la cuchilla
4. Cuchilla para hielo
5. Llave Allen (6 mm)

## MONTAJE

### INSTALACIÓN DE LA BARRENA PARA HIELO

**⚠ ADVERTENCIA:** La barrena está muy afilada. Para evitar lesiones personales, extreme las precauciones al limpiar, instalar o desmontar la barrena. Póngase siempre guantes de protección para realizar cualquier tarea de mantenimiento en la barrena.

- 1 Afloje y retire el tornillo de bloqueo de la barrena para hielo.
- 2 Monte el extremo superior de la barrena en el eje de transmisión del conjunto de motor (fig. B1).
- 3 Alinee los orificios de conexión de la barrena y el eje de transmisión.
- 4 Utilice el tornillo de bloqueo para asegurar la barrena al eje de transmisión. Utilice la llave Allen de 6 mm incluida para apretar firmemente el tornillo de bloqueo (fig. B2).

B1-1	Eje de transmisión	B1-2	Extremo superior de la barrena para hielo
B2-1	Eje de transmisión	B2-2	Tornillo de bloqueo
B2-3	Lado plano		

**AVISO:** Asegúrese de que el tornillo de bloqueo esté insertado en los orificios de conexión desde el lado plano del orificio de la barrena.

## FUNCIONAMIENTO

### UTILIZACIÓN

Este producto puede utilizarse para los fines indicados a continuación:

- Perforación de orificios en el hielo utilizando la barrena para hielo.

#### ARRANQUE/PARADA DE LA BARRENA PARA HIELO

Consulte el apartado «ARRANQUE/PARADA DEL CONJUNTO DE MOTOR» del manual del usuario del conjunto de motor PHA7400E.

**AVISO:** Use guantes protectores y retire el protector de la cuchilla para hielo antes de poner en marcha el producto.

#### TRABAJAR CON LA BARRENA PARA HIELO

**⚠ ADVERTENCIA:**

- Antes de utilizar la máquina, póngase en contacto

con la empresa de servicios públicos local para que marque los servicios subterráneos.

- No utilice la barrena para hielo para fines distintos de los previstos.
- Use la barrena para hielo solo para perforar orificios en el hielo.
- Evite perforar material del que sospeche que contiene clavos ocultos u otros objetos que puedan hacer que la barrena se atasque o se rompa.
- Permanezca atento a la fuerza de reacción del par de la máquina. Al usar la máquina, mantenga siempre una posición en la que pueda soportar la fuerza de reacción del par.
- Extreme las precauciones al trabajar en pendientes o superficies irregulares.

**AVISO:** Antes de ponerlo en funcionamiento, compruebe que no haya cuerpos extraños (arena, suciedad, etc.) atascados en las aberturas o en las piezas móviles.

- a. Asegúrese de tener los pies firmemente apoyados sobre la superficie de trabajo y colóquese con las empuñaduras cerca de la cintura. Sujete firmemente la empuñadura derecha con la mano derecha y la empuñadura izquierda con la mano izquierda (fig. C1).

C1-1	Empuñadura derecha	C1-2	Empuñadura izquierda
------	--------------------	------	----------------------

**⚠ ADVERTENCIA:** No sujete nunca la empuñadura derecha con la mano izquierda y la izquierda con la mano derecha. Una posición incorrecta de las manos puede provocar lesiones graves (fig. C2).

**⚠ ADVERTENCIA:** Evite una colocación inadecuada (fig. C3). No se aleje demasiado de la máquina. En caso de retroceso, es posible que no se consiga una reacción y un control adecuados.

- b. Mantenga la barrena alejada de su cuerpo y la barrena apuntando hacia abajo en un ángulo de 90° respecto a la superficie.
- c. Ajuste el sentido de giro y la velocidad de rotación.
- d. Levante la máquina por encima de la superficie. Mantenga pulsado el botón de desbloqueo y apriete el gatillo interruptor.

**⚠ ADVERTENCIA:** No toque la barrena cuando el producto esté encendido.

- e. Deje que la barrena alcance su velocidad máxima.
- f. Baje la barrena a la superficie manteniendo el ángulo de 90° (fig. C4). Deje que la barrena muerda el

material, dejando que la máquina haga el trabajo.

- g. A medida que la barrena comienza a llenarse de residuos, es importante despejarla constantemente para producir un corte limpio y reducir la cantidad de esfuerzo requerido: mientras la barrena está funcionando a la máxima velocidad, levántela lentamente del agujero y permita que los residuos se despejen de la barrena.
- h. Después de utilizar esta máquina, suelte el gatillo interruptor y espere a que la barrena se detenga por completo.
- i. Cuando deposite la máquina, por ejemplo, durante un descanso, no la deje introducida en el hielo ni la apoye contra una pared. Instale el protector de la cuchilla en la barrena para hielo y guarde la máquina en una posición estable.

### CONSEJOS PARA UTILIZAR LA BARRENA PARA HIELO

- Presionar excesivamente la máquina no acelerará la perforación. Una presión excesiva sólo servirá para dañar la punta de la barrena, disminuir el rendimiento de la máquina y acortar su vida útil.
- Al perforar un orificio profundo o en suelo arcilloso, no intente hacerlo de una sola vez. Perfore el orificio moviendo la máquina hacia arriba y hacia abajo para poder descargar la tierra suelta del agujero.
- Si la velocidad de rotación de la máquina disminuye debido al funcionamiento con carga elevada, levante un poco la máquina y muévala hacia arriba y hacia abajo para perforar en pequeños pasos.
- Una barrena atascada se puede quitar simplemente haciendo que la barrena gire en sentido inverso para retroceder. Al retroceder, sujete la máquina por su cuerpo principal para evitar una reacción en sentido horario.
- Antes de trabajar con una barrena para hielo en estanques, lagos o ríos congelados, consulte con las autoridades locales y adopte todas las precauciones necesarias para garantizar que el grosor del hielo sea seguro.
- Al sacar la barrena para hielo del orificio, levante la máquina verticalmente para que salga recta sin inclinarse. Para minimizar las salpicaduras al perforar orificios en el hielo, suelte el gatillo interruptor inmediatamente cuando la barrena para hielo atraviese el hielo. Levante la máquina lentamente. Cubra y marque claramente las perforaciones para evitar que alguien entre en un orificio.

## MANTENIMIENTO

**⚠ ADVERTENCIA:** Para evitar lesiones graves, quite la batería del producto antes de realizar cualquier reparación, limpieza, cambio de accesorios o de retirar acumulaciones de material cortado.

ES

### MANTENIMIENTO GENERAL

- Evite utilizar disolventes para limpiar las piezas de plástico. La mayoría de los plásticos podrían dañarse si se limpian con algunos de los tipos de disolventes disponibles en el mercado. Utilice un paño limpio para eliminar la suciedad, polvo, aceite, grasa, etc.

**⚠ ADVERTENCIA:** No permita nunca que las piezas de plástico entren en contacto con líquido de frenos, gasolina, productos derivados del petróleo, aceites penetrantes, etc. Las sustancias químicas podrían dañar, debilitar o destruir el plástico, con el consiguiente riesgo de provocar lesiones graves.

### SUSTITUCIÓN DE LAS CUCHILLAS PARA HIELO

- Si la barrena para hielo salta sobre el hielo o corta lentamente el hielo al perforar orificios en el hielo, es posible que sea necesario reemplazar las cuchillas para hielo.
  - Herramientas necesarias: Llave Allen de 6 mm (incluida), llave Allen de 3 mm (no incluida)
1. Quite la batería de la barrena y saque la barrena para hielo del eje de transmisión del conjunto de motor, utilizando la llave Allen de 6 mm para aflojar y quitar el tornillo de bloqueo.
  2. Use guantes protectores y retire el protector de la cuchilla para hielo (fig. D1).
  3. Con la llave Allen de 3 mm, afloje y retire los tornillos y las cuchillas para hielo de la barrena para hielo. (Fig. D2).
  4. Reemplácelas por cuchillas nuevas y apriételas firmemente.
  5. Instale el protector de la cuchilla.

D1-1	Protector de la cuchilla	D1-2	Cuchillas para hielo
D2-1	Tornillo	D2-2	Cuchilla para hielo

### ALMACENAMIENTO DE LA BARRENA PARA HIELO

1. Quite la batería.
2. Retire la barrena del eje de transmisión del conjunto de motor.
3. Limpie a fondo la barrena antes de guardarla.
4. Instale el protector de la cuchilla en la barrena para hielo.
5. Guarde la barrena en un área seca y bien ventilada, bajo llave o en un lugar alto, fuera del alcance de los niños. No la guarde encima ni cerca de fertilizantes, gasolina u otros productos químicos.

### Protección del medio ambiente



¡No elimine aparatos eléctricos, baterías usadas ni cargadores de baterías junto con los desperdicios domésticos! Lleve este producto a un punto de reciclaje autorizado y deposítelo por separado según corresponda. Las herramientas eléctricas se deben llevar a un punto de reciclaje con fin de proteger el medio ambiente.

## SOLUCIÓN DE PROBLEMAS

ES

PROBLEMA	CAUSA	SOLUCIÓN
La máquina no arranca o se para inesperadamente.	<ul style="list-style-type: none"> <li>■ Baja capacidad de la batería.</li> <li>■ La batería está sobrecalentada o demasiado fría.</li> <li>■ El cable de la empuñadura derecha no está conectado correctamente con el cable del conjunto de motor.</li> </ul>	<ul style="list-style-type: none"> <li>■ Cargue la batería.</li> <li>■ Espere a que la batería se enfríe o se caliente hasta que la barrena pueda ponerse en marcha de nuevo.</li> <li>■ Conecte los cables de la empuñadura derecha y del conjunto de motor siguiendo las instrucciones del apartado «<b>INSTALACIÓN DE LAS EMPUÑADURAS</b>» del manual del usuario del conjunto de motor PHA7400E.</li> </ul>
La barrena para hielo salta sobre el hielo o corta lentamente a través del hielo.	<ul style="list-style-type: none"> <li>■ Algunas piezas están sueltas.</li> </ul>	<ul style="list-style-type: none"> <li>■ Pare la barrena, quite la batería, compruebe si hay piezas sueltas y apriéte las.</li> </ul>
El sentido de rotación o la velocidad de la barrena no se conmutan después de pulsar el selector de sentido/velocidad de rotación.	<ul style="list-style-type: none"> <li>■ Barrena floja.</li> </ul>	<ul style="list-style-type: none"> <li>■ Vuelva a instalar la barrena siguiendo las instrucciones del apartado «<b>INSTALACIÓN DE LA BARRENA PARA HIELO</b>» de este manual.</li> </ul>
Ice auger jumps on the ice or cuts slowly through the ice.	<ul style="list-style-type: none"> <li>■ Las cuchillas están desafiladas o dañadas.</li> </ul>	<ul style="list-style-type: none"> <li>■ Reemplace por cuchillas nuevas siguiendo las instrucciones del apartado «<b>SUSTITUCIÓN DE LAS CUCHILLAS PARA HIELO</b>» en este manual.</li> </ul>
The auger rotation direction or speed is not switched after pushing the rotation direction/speed selector.	<ul style="list-style-type: none"> <li>■ Cambiar la dirección de rotación entre avance y retroceso solo es posible cuando la barrena está parada.</li> <li>■ Otras causas no identificadas.</li> </ul>	<ul style="list-style-type: none"> <li>■ Pare completamente la barrena, accione el selector de sentido/velocidad de giro hasta la rotación deseada y vuelva a poner en marcha la barrena.</li> <li>■ Póngase en contacto con el servicio de EGO para su reparación.</li> </ul>

## GARANTÍA

### POLÍTICA DE GARANTÍA DE EGO

Visite la página web [egopowerplus.eu](http://egopowerplus.eu) para conocer los términos y condiciones completos de la política de garantía de EGO.

## LEIA TODAS AS INSTRUÇÕES!



### LEIA O MANUAL DO UTILIZADOR

**⚠ AVISO:** Para garantir a segurança e bom funcionamento, todas as reparações deverão ser efetuadas por um técnico de reparação qualificado.

**PT**

## SÍMBOLO DE SEGURANÇA

O objetivo dos símbolos de segurança é chamar a atenção para possíveis perigos. Os símbolos de segurança e as explicações apresentadas com eles requerem a sua atenção e compreensão. Os avisos de segurança, só por si não eliminam o perigo. As instruções e avisos dados não são substitutos para medidas de prevenção adequadas a acidentes.

**⚠ AVISO:** Certifique-se de que lê e compreende todos os avisos de segurança neste manual do utilizador, incluindo todos os símbolos de alerta de segurança, como “**PERIGO**”, “**AVISO**” e “**CUIDADO**” antes de usar esta ferramenta. Não seguir todas as instruções apresentadas abaixo pode resultar em choque elétrico, incêndio e/ou ferimentos graves.

## INSTRUÇÕES DE SEGURANÇA

Esta página retrata e descreve os símbolos de segurança que podem aparecer neste produto. Leia, compreenda e siga todas as instruções na máquina antes de tentar montar e utilizar.



Alerta de segurança



De modo a reduzir os riscos de ferimentos, o utilizador deve ler o manual do utilizador.



Use proteção ocular.



Use proteção auditiva.



Os produtos elétricos residuais não deverão ser eliminados juntamente com o lixo doméstico comum. Entregue-os num centro de reciclagem autorizado.



Este produto encontra-se em conformidade com as diretivas CE aplicáveis.



Corrente direta



Este produto encontra-se em conformidade com a legislação no Reino Unido.

V Voltagem

kg Quilograma

°C Celsius

mm Milímetro

/min Rotações por minuto

IPX4 Proteção contra salpicos

## AVISOS GERAIS DE SEGURANÇA DA MÁQUINA

**⚠️ AVISO:** Leia todos os avisos de segurança, instruções, ilustrações e especificações fornecidas com esta máquina. Não seguir todas as instruções apresentadas abaixo pode resultar em choque elétrico, incêndio e/ou ferimentos graves.

Guarde todos os avisos e instruções para futuras referências.

### Segurança na área de trabalho

- **Mantenha a área de trabalho limpa e bem iluminada.** Áreas desarrumadas ou escuras são propícias a acidentes.
- **Não utilize máquinas em atmosferas explosivas, tal como na presença de líquidos inflamáveis, gasolina ou pó.** As máquinas produzem faíscas que podem atear o pó ou fumos.
- **Mantenha as crianças e pessoas que passem afastadas enquanto utilizar uma máquina.** As distrações podem fazer com que perca o controlo.

### Segurança elétrica

- **A ficha tem de corresponder à tomada. Nunca modifique uma ficha de forma alguma. Não utilize qualquer adaptador com máquinas com ligação à terra.** Fichas não modificadas e tomadas correspondentes reduzirão o risco de choque elétrico.
- **Evite o contacto do corpo com superfícies ligadas à terra, tais como tubos, radiadores, bases e frigoríficos.** Existe um risco acrescido de choque elétrico se o seu corpo estiver ligado à terra.
- **Não exponha a máquina à chuva ou humidade.** A entrada de água numa máquina aumentará o risco de choque elétrico.
- **Não force o fio da alimentação. Nunca utilize o fio para transportar, puxar ou desligar a máquina. Mantenha o fio afastado do calor, óleo, arestas afiadas ou peças móveis.** Fios danificados ou presos aumentam o risco de choque elétrico.
- **Quando estiver a trabalhar com uma máquina ao ar livre, utilize uma extensão adequada para a utilização no exterior.** A utilização de um fio adequado ao exterior reduz o risco de choque elétrico.
- **Se for inevitável trabalhar com a máquina num local húmido, use um Interruptor de Circuito de Falha de Ligação à Terra (ICFLT).** A utilização de um ICFLT reduz o risco de choque elétrico.

### Segurança Pessoal

- **Mantenha-se alerta, observe o que está a fazer e use senso comum quando estiver a trabalhar com uma máquina. Não utilize a máquina enquanto estiver cansado ou sob o efeito de drogas, álcool ou medicação.** Um momento de falta de atenção enquanto utiliza a máquina pode dar origem a ferimentos sérios.
- **Use equipamento pessoal de proteção. Use sempre proteção ocular. O equipamento de segurança, tal como máscara respiratória, calçado de segurança antiderrapante, capacete de segurança ou proteção auditiva, utilizado nas condições adequadas, reduzirá a hipótese de ferimentos.**
- **Evite ligações sem intenção. Certifique-se de que o interruptor se encontra na posição de desligado antes de ligar à alimentação e/ou bateria e antes de pegar ou transportar a máquina.** Transportar a máquina com o seu dedo no interruptor ou fornecer energia à máquina que tenha o interruptor na posição de ligado convida a acidentes.
- **Retire qualquer chave de ajuste ou chave de fendas antes de ligar a máquina.** Uma chave de fendas ou uma chave deixada ligada a uma peça rotativa da máquina pode dar origem a ferimentos.
- **Não se estique. Mantenha sempre a base e o equilíbrio adequados.** Isso proporciona um melhor controlo da máquina em situações inesperadas.
- **Vista-se adequadamente. Não use roupa larga nem joias. Mantenha o seu cabelo e roupa afastados das peças móveis.** Roupas largas, joias ou cabelo comprido podem ser apanhados pelas peças em movimento.
- **Se forem fornecidos dispositivos para a ligação de extração de pó e facilidades de recolha, certifique-se de que estes estão ligados e de que são devidamente utilizados.** A utilização de dispositivos de extração do pó pode reduzir os perigos relacionados com o pó.
- **Não permita que a familiarização ganhe com a utilização de máquinas o torne mais complacente e ignore os princípios de segurança da máquina.** Uma ação descuidada pode causar graves ferimentos numa fração de segundo.

### Utilização e cuidados com a máquina

- **Não force a máquina. Utilize a máquina correta para a sua aplicação.** A máquina correta fará o trabalho melhor e de forma mais segura à taxa para a qual foi concebida.

PT

- **Não utilize a máquina se o interruptor não der para ligar e desligar.** Qualquer máquina que não possa ser controlada com o interruptor é perigosa e deve ser reparada.
- **Desligue a ficha da alimentação e/ou retire a bateria da máquina, se amovível, antes de fazer quaisquer ajustes, mudar de acessórios ou armazenar a máquina.** Tais medidas preventivas de segurança reduzem o risco de ligar a máquina acidentalmente.
- **Guarde a máquina desligada fora do alcance de crianças e não permita que pessoas estranhas à máquina ou a estas instruções trabalhem com a máquina.** As máquinas são perigosas nas mãos de utilizadores sem formação.
- **Proceda à manutenção das máquinas e respetivos acessórios.** Verifique se existem desalinhamentos ou colagem das peças móveis, quebra de peças e qualquer outra condição que possa afetar o funcionamento da máquina. Se estiver danificada, leve a máquina para ser reparada antes da utilização. Muitos acidentes são causados por máquinas mantidas de forma deficiente.
- **Mantenha as máquinas de corte afiadas e limpas.** Máquinas de corte devidamente mantidas e com arestas de corte afiadas têm uma menor probabilidade de prender e são mais fáceis de controlar.
- **Use a máquina, acessórios e brocas, etc., de acordo com estas instruções, tendo em conta as condições de trabalho e o trabalho a ser efetuado.** A utilização da máquina para operações diferentes das pretendidas pode resultar numa situação perigosa.
- **Mantenha as pegas e superfícies de prensão secas, limpas e sem óleo ou gordura.** Pegas e superfícies de prensão escorregadias não permitem o manuseamento seguro nem o controlo da máquina em situações inesperadas.

#### Utilização e cuidados com a bateria

- **Recarregue apenas com o carregador especificado pelo fabricante.** Um carregador que seja adequado a um tipo de bateria pode criar um risco de incêndio quando usado com outra bateria.
  - **Utilize máquinas apenas com as baterias especificamente designadas.** A utilização de outras baterias pode criar um risco de ferimentos e incêndio.
  - **Quando não usar a bateria, mantenha-a afastada de outros objetos de metal, como cliques de papel, moedas, chaves, pregos, parafusos ou outros pequenos objetos de metal que possam fazer a ligação entre os dois terminais.** Colocar os terminais da bateria em curto-circuito pode dar origem a queimaduras ou fogo.
- **Sob condições abusivas, pode ser ejetado líquido da bateria; evite o contacto. Se ocorrer um contacto accidental, lave com água abundante. Se o líquido entrar em contacto com os olhos, procure ajuda médica.** O líquido ejetado da bateria pode provocar irritação ou queimaduras.
  - **Não use a bateria nem a máquina se estiverem danificadas ou modificadas.** Baterias danificadas ou modificadas podem apresentar comportamentos imprevisíveis, dando origem a fogo, explosão ou risco de ferimentos.
  - **Não exponha a bateria ou a máquina ao fogo ou temperatura excessiva.** A exposição ao fogo ou a temperaturas acima dos 130 °C pode causar uma explosão.
  - **Siga todas as instruções de carregamento e não carregue a bateria nem a máquina a uma temperatura fora dos parâmetros especificados nas instruções.** Carregar incorretamente ou a temperaturas fora dos parâmetros especificados pode danificar a bateria e aumentar o risco de fogo.

#### Reparação

- **A reparação da sua máquina deverá ser sempre efetuada por pessoas qualificadas, utilizando apenas peças sobresselentes idênticas.** Tal irá assegurar que a segurança da máquina é mantida.
- **Nunca tente reparar uma bateria danificada.** A reparação das baterias só deverá ser efetuada pelo fabricante ou por um reparador autorizado.

## AVISOS DE SEGURANÇA PARA O PERFURADOR DE GELO

- **Substitua os perfuradores se estiverem rachados, dobrados ou danificados de algum modo.** Utilizar a máquina com um perfurador danificado pode dar origem a ferimentos sérios.
- **Nunca use o perfurador com as pegas acima do nível da cintura.** Isto limita o controlo do perfurador e pode aumentar o risco de ferimentos.
- **Segure a máquina com ambas as mãos nas respetivas pegas.** A perda de controlo pode causar ferimentos.
- **Segure a máquina apenas através das superfícies isoladas quando executar uma operação onde o acessório de perfuração possa entrar em contacto com cabos elétricos escondidos.** O contacto do

acessório de perfuração com um cabo “vivo” fará com que as peças de metal expostas da máquina deem um choque ao operador.

- **Para reduzir o risco de eletrocussão, nunca use o perfurador perto de cabos elétricos enterrados.** O contacto ou utilização perto de cabos elétricos enterrados pode causar ferimentos sérios ou choque elétrico que pode dar origem a morte.
- **Comece sempre a perfurar a baixa velocidade e com a ponta do perfurador em contacto com o chão.** Com velocidades mais elevadas, a broca pode dobrar, caso seja permitido que rode livremente sem contactar com o chão, dando origem a ferimentos pessoais.
- **Faça pressão apenas em linha reta com a broca, e não faça pressão excessiva.** As brocas podem dobrar, podendo quebrar ou dando origem a uma perda de controlo, resultando em ferimentos.
- **Certifique-se de que mantém um equilíbrio constante.** Certifique-se de que não se encontra ninguém por baixo quando usar a máquina num local alto.
- **Segure firmemente a máquina.**
- **Mantenha as mãos afastadas das peças rotativas.**
- **Não deixe a máquina a funcionar. Utilize a máquina apenas enquanto a segura.**
- **Não toque na broca do perfurador após a operação.** Esta pode estar extremamente quente e pode queimar a sua pele.
- **Se algo estiver errado com a máquina, como sons anormais, pare imediatamente de a utilizar e contacte o seu centro de reparação local para efetuar a reparação.**
- **Para reduzir o risco de explosão, nunca use o perfurador perto de linhas de gás enterradas, linhas de água ou tubagens.** O contacto ou a utilização perto de linhas de gás ou de água enterradas pode dar origem ao arrebentamento das linhas de água, e à explosão das linhas de gás, o que pode dar origem a ferimentos sérios e morte.
- **Nunca trabalhe com uma velocidade superior à velocidade nominal máxima da broca do perfurador.** Com velocidades mais elevadas, a broca pode dobrar, caso seja permitido que rode livremente sem contactar com a peça a ser trabalhada, dando origem a ferimentos pessoais.
- **As máquinas que funcionam a bateria não têm de ser ligadas a uma tomada elétrica; assim, estão sempre em estado de funcionamento. Tenha cuidado com possíveis perigos quando a máquina**

**não estiver a funcionar.** Tenha cuidado quando efetuar a manutenção ou reparações.

- **Não lave com uma mangueira. Evite que entre água no motor e nas ligações elétricas.**
- **As lâminas para o gelo estão muito afiadas. Tenha muito cuidado quando fizer um buraco ou substituir as lâminas. Coloque a proteção da lâmina após cada utilização.**
- **Verifique frequentemente e certifique-se de que o parafuso de fixação está fixado no respetivo lugar.**
- **Utilize apenas com as baterias e carregadores especificados.**

**Guarde estas instruções.** Consulte com frequência e use estas instruções para instruir outras pessoas sobre a forma de utilizar esta máquina. Se emprestar a alguém esta máquina, entregue também estas instruções para evitar a uma má utilização do produto e possíveis ferimentos.

PT

## CARACTERÍSTICAS TÉCNICAS

Diâmetro do orifício/ broca do perfurador	200 mm	
Profundidade máxima de perfuração	990 mm	
Peso (sem a bateria)	3.7 kg	
Temperatura de funcionamento recomendada	-20°C - 40°C	
Temperatura de armazenamento recomendada	-40°C - 70°C	
Nível de potência sonora $L_{WA}$	97.6 dB(A) K=3 dB(A)	
Nível de pressão sonora $L_{PA}$	89.6 dB(A) K=3 dB(A)	
Vibração $a_h$	Pega direita	2.52 m/s <sup>2</sup> K=1.5 m/s <sup>2</sup>
	Pega esquerda	2.45 m/s <sup>2</sup> K=1.5 m/s <sup>2</sup>

- O valor total declarado da vibração foi medido de acordo com um método de teste padrão e pode ser usado para comparar duas máquinas.
- O valor total declarado da vibração também pode ser usado numa avaliação preliminar da exposição.

**⚠ AVISO:** A emissão de vibrações durante a utilização da máquina pode diferir do valor declarado em que a máquina é usada. De modo a proteger o utilizador, este deverá usar luvas e proteção auditiva nas condições atuais de utilização.

PT

## ACESSÓRIOS RECOMENDADOS

**⚠ AVISO:** Use apenas os acessórios listados abaixo. A utilização de acessórios que não vão ao encontro das especificações do equipamento original pode dar origem a um desempenho inadequado e comprometer a segurança.

NOME DA PEÇA	NÚMERO DO MODELO
Broca do perfurador de gelo	AB08001

## LISTA DE PEÇAS (IMAGEM A)

### DESCRIÇÃO

#### CONHEÇA O SEU PERFURADOR DE GELO (Imagem A)

1. Broca do perfurador de gelo
2. Parafuso de fixação
3. Proteção da lâmina
4. Lâmina para o gelo
5. Chave sextavada de 6 mm

## MONTAGEM

### INSTALAR A BROCA DO PERFURADOR DE GELO

**⚠ AVISO:** A broca do perfurador está muito afiada. Para evitar ferimentos, tenha muito cuidado durante a limpeza, instalação ou remoção da broca do perfurador. Utilize sempre luvas de proteção ao efetuar qualquer manutenção à broca do perfurador.

1. Desaperte e retire o parafuso de fixação da broca do perfurador de gelo.
2. Monte a extremidade superior da broca do perfurador no eixo de transmissão da cabeça motora (Imagem B1).
3. Alinhe os orifícios de ligação no perfurador e eixo de transmissão.
4. Use o parafuso de fixação para fixar a broca do perfurador no eixo de transmissão. Use a chave

sextavada de 6 mm fornecida para apertar bem o parafuso de fixação (Imagem B2).

B1-1	Eixo de transmissão	B1-2	Extremidade superior do perfurador de gelo
B2-1	Eixo de transmissão	B2-2	Parafuso de fixação
B2-3	Lado plano		

**⚠ AVISO:** Certifique-se de que o parafuso de fixação é inserido nos orifícios de ligação a partir do lado plano do orifício do perfurador.

## FUNCIONAMENTO

### APLICAÇÃO

Pode utilizar este produto com os intuitos listados abaixo:

- Fazer buracos no gelo usando o perfurador.

### LIGAR/DESLIGAR O PERFURADOR DE GELO

Consulte a secção “LIGAR/DESLIGAR A CABEÇA MOTORA” no manual de utilização da cabeça motora PHA7400E.

**⚠ AVISO:** Use luvas de proteção e retire a proteção da lâmina do gelo antes de ligar o produto.

### TRABALHAR COM O PERFURADOR DE GELO

**⚠ AVISO:**

- Contacte o fornecedor de serviços local para serviços subterrâneos antes de usar a máquina, para evitar o contacto com linhas ou tubagens enterradas.
- Não use o perfurador de gelo para outros fins para além daqueles para que foi previsto.
- Use o perfurador de gelo apenas para perfurar gelo.
- Evite escavar material que suspeite que contenha pregos ou outros artigos que possam fazer com que a broca do perfurador se dobre ou parta.
- Esteja atento às forças de reação do binário da máquina. Mantenha sempre uma posição de trabalho em que consiga aguentar as forças de reação do binário.
- Tenha muito cuidado quando trabalhar em encostas ou pisos desnivelados.

**⚠ AVISO:** Antes da utilização, certifique-se de que não há matérias estranhas (areia, sujidade, etc.) presas nas aberturas ou partes móveis.

- a. Certifique-se de que os pés estão firmes acima da superfície de trabalho e coloque-se com as pernas perto da cintura. Segure firmemente a pega direita com a mão direita, e a pega esquerda com a mão esquerda (Imagem C1).

C1-1	Pega direita	C1-2	Pega esquerda
------	--------------	------	---------------

**⚠ AVISO:** Nunca segure a pega direita com a mão esquerda, nem a pega esquerda com a mão direita. O posicionamento incorreto das mãos pode dar origem a ferimentos sérios (Imagem C2).

**⚠ AVISO:** Evite um posicionamento incorreto (Imagem C3). Não se coloque demasiado afastado da máquina. No caso de ressalto, pode não conseguir obter uma reação e controlo adequados.

- b. Mantenha a broca do perfurador afastada do corpo, apontando para baixo a um ângulo de 90° da superfície.
- c. Defina a direção e velocidade de rotação.
- d. Levante a máquina acima da superfície. Prima e mantenha premido o botão de desbloqueio, depois, pressione o gatilho do interruptor.

**⚠ AVISO:** Não toque na broca do perfurador quando o produto for ligado.

- e. Permita ao perfurador atingir a velocidade máxima.
- f. Baixe a broca do perfurador até à superfície, mantendo o ângulo de 90° (Imagem C4). Permita que a broca do perfurador entre no material. Deixe a máquina fazer o trabalho.
- g. À medida que a broca do perfurador começa a ficar cheia de detritos, é importante limpá-la constantemente, para produzir um corte limpo e reduzir a quantidade de esforço necessária. Enquanto o perfurador estiver a funcionar à velocidade máxima, levante-o lentamente do buraco e permita que os detritos saiam da broca do perfurador.
- h. Após usar esta máquina, liberte o interruptor do gatilho e deixe o perfurador parar por completo.
- i. Quando deixar a máquina, por exemplo, durante uma pausa, não a deixe inserida no gelo nem inclinada contra uma parede. Instale a proteção da lâmina na broca do perfurador de gelo e guarde a máquina numa posição estável.

#### DICAS PARA USAR O PERFURADOR DE GELO

- Pressionar excessivamente a máquina não aumenta a velocidade de escavação. Uma pressão excessiva só danificará a ponta da broca do perfurador, diminuindo o desempenho da máquina e encurta o tempo de vida

útil da máquina.

- Quando perfurar um buraco profundo ou solo argiloso, não tente perfurar tudo de uma vez. Faça o buraco levantando e baixando a máquina, de modo a que o solo solto no buraco possa ser retirado.
- Se a velocidade de rotação da máquina abrandar devido a uma carga muito elevada, levante um pouco a máquina e mova-a para cima e para baixo para perfurar em pequenos passos.
- Uma broca do perfurador presa pode ser retirada colocando simplesmente no sentido de rotação inverso, para a retirar. Quando estiver no sentido de rotação inverso, segure a máquina perto do corpo para evitar uma reação no sentido dos ponteiros do relógio.
- Antes de trabalhar com uma broca do perfurador de gelo em lagos ou ribeiros congelados, consulte as autoridades locais e tome todas as precauções necessárias para garantir que a espessura do gelo é segura.
- Quando retirar a broca do perfurador de gelo do buraco, levante a máquina na vertical, de modo a que a broca saia a direito sem emperrar. Para minimizar salpicos quando perfurar gelo, liberte imediatamente o interruptor do gatilho quando a broca do perfurador de gelo conseguir partir o gelo. Levante a máquina lentamente. Cubra e assinale claramente os buracos, para evitar que alguém passe por cima deste.

## MANUTENÇÃO

**⚠ AVISO:** Para evitar ferimentos sérios, retire a bateria do produto antes da reparação, limpeza, mudança de acessórios ou remoção de material da unidade.

#### MANUTENÇÃO GERAL

- Evite usar solventes quando limpar peças de plástico. Grande parte dos plásticos é suscetível a danos devido a vários tipos de solventes comerciais. Utilize panos limpos para retirar a sujidade, pó, óleo, gordura, etc.

**⚠ AVISO:** Nunca permita que o líquido dos travões, gasolina, produtos à base de petróleo, óleos penetrantes, etc., entrem em contacto com as peças de plástico. Os químicos podem danificar, enfraquecer ou destruir o plástico, o que pode dar origem a ferimentos sérios.

#### SUBSTITUIÇÃO DAS LÂMINAS DE GELO

- Se o perfurador de gelo saltar no gelo ou cortar lentamente quando estiver a perfurar, as lâminas para o gelo poderão ter de ser substituídas.

- Ferramentas necessárias: Chave sextavada de 6 mm (fornecida), chave sextavada de 3 mm (não fornecida)
1. Retire a bateria do perfurador, e retire a broca do perfurador de gelo do eixo de transmissão da cabeça motora usando a chave sextavada de 6 mm para desapertar e retirar o parafuso de fixação.
  2. Use luvas de proteção e retire a proteção da lâmina do gelo (Imagem D1).
  3. Com a chave sextavada de 3 mm, desaperte e retire os parafusos e lâminas para o gelo da broca do perfurador de gelo. (Imagem D2).
  4. Coloque lâminas novas e aperte-as bem.
  5. Instale a proteção da lâmina.

D1-1	Proteção da lâmina	D1-2	Lâminas para o gelo
D2-1	Parafuso	D2-2	Lâmina para o gelo

#### GUARDAR A BROCA DO PERFURADOR DE GELO

1. Retire a bateria.
2. Retire a broca do perfurador do eixo de transmissão da cabeça motora.
3. Limpe bem a broca do perfurador antes de a guardar.
4. Instale a proteção da lâmina na broca do perfurador de gelo.
5. Guarde a broca do perfurador num local seco, bem ventilado, trancado ou elevado, fora do alcance das crianças. Não guarde a broca do perfurador em cima ou perto de fertilizantes, gasolina ou outros químicos.

#### Proteja o ambiente



Não elimine equipamento elétrico, bateria gasta nem carregador juntamente com o lixo doméstico comum! Leve este produto a um centro de reciclagem autorizado para que possa haver uma separação das peças. As ferramentas elétricas têm de ser devolvidas em instalações de reciclagem ambientalmente compatíveis.

## RESOLUÇÃO DE PROBLEMAS

PROBLEMA	CAUSA	SOLUÇÃO
A máquina não começa a funcionar ou pára inesperadamente.	<ul style="list-style-type: none"> <li>■ Bateria fraca.</li> <li>■ A bateria está muito quente ou muito fria.</li> <li>■ O cabo da pega direita não está ligado corretamente ao cabo da cabeça motora.</li> </ul>	<ul style="list-style-type: none"> <li>■ Carregue a bateria.</li> <li>■ Espere que a bateria arrefeça ou aqueça. Depois, pode voltar a ligar o perfurador.</li> <li>■ Ligue os cabos da pega direita e da cabeça motora seguindo a secção <b>“INSTALAR AS PEGAS”</b> no manual de utilização da cabeça motora PHA7400E.</li> </ul>
O perfurador de gelo salta no gelo, ou corta-o lentamente.	<ul style="list-style-type: none"> <li>■ Algumas peças estão soltas.</li> </ul>	<ul style="list-style-type: none"> <li>■ Pare o perfurador, retire a bateria, verifique e aperte as peças soltas.</li> </ul>
A direção de rotação do perfurador ou a velocidade não mudam quando pressiono o seletor de direção/velocidade de rotação.	<ul style="list-style-type: none"> <li>■ Broca do perfurador solta.</li> </ul>	<ul style="list-style-type: none"> <li>■ Volte a instalar a broca do perfurador seguindo a secção <b>“INSTALAR A BROCA DO PERFURADOR DE GELO”</b> neste manual.</li> </ul>
Ice auger jumps on the ice or cuts slowly through the ice.	<ul style="list-style-type: none"> <li>■ As lâminas estão gastas ou danificadas.</li> </ul>	<ul style="list-style-type: none"> <li>■ Substitua por lâminas novas seguindo a secção <b>“SUBSTITUIÇÃO DAS LÂMINAS DE GELO”</b> neste manual.</li> </ul>
The auger rotation direction or speed is not switched after pushing the rotation direction/speed selector.	<ul style="list-style-type: none"> <li>■ Só pode alterar a direção de rotação para a frente e para trás quando o perfurador estiver parado.</li> <li>■ Outras causas não identificadas.</li> </ul>	<ul style="list-style-type: none"> <li>■ Pare por completo o perfurador, pressione o seletor da direção/velocidade de rotação para a rotação desejada e depois volte a ligar o perfurador.</li> <li>■ Contacte o centro de reparação da EGO para efetuar a reparação.</li> </ul>

PT

## GARANTIA

### POLÍTICA DE GARANTIA EGO

Visite o website [egopowerplus.eu](http://egopowerplus.eu) para os termos e condições completos da política de garantia da EGO.

## LEGGERE TUTTE LE ISTRUZIONI!



### LEGGERE IL MANUALE DI ISTRUZIONI

**⚠ AVVERTENZA!** Per garantire sicurezza e affidabilità, tutte le operazioni di riparazione e sostituzione devono essere effettuate da un tecnico qualificato.

**IT**

## SIMBOLI DI SICUREZZA

Lo scopo dei simboli di sicurezza è attirare l'attenzione dell'operatore su possibili pericoli. I simboli di sicurezza e le relative spiegazioni richiedono la massima attenzione e comprensione da parte dell'operatore. Le avvertenze espresse dai simboli, da sole, non eliminano tutti i rischi. Le istruzioni e le avvertenze non sostituiscono le adeguate misure di prevenzione contro gli incidenti.

**⚠ AVVERTENZA!** Accertarsi di aver letto e compreso tutte le istruzioni di sicurezza in questo manuale, inclusi tutti i simboli di avvertenza come "PERICOLO", "AVVERTENZA" e "ATTENZIONE", prima di usare l'apparecchio. Il mancato rispetto di tutte le istruzioni elencate di seguito comporta il rischio di scossa elettrica, incendio e/o lesioni gravi.

## AVVERTENZE DI SICUREZZA

Questa pagina illustra e descrive i simboli di sicurezza che possono essere presenti sull'apparecchio. Leggere, comprendere e seguire tutte le istruzioni sull'apparecchio prima di tentare di assemblarlo e ripararlo.



Avvertenza di sicurezza



Per ridurre il rischio di infortuni, leggere il manuale di istruzioni.



Indossare protezioni per gli occhi.



Indossare protezioni per le orecchie.



Gli apparecchi elettrici non devono essere smaltiti insieme ai rifiuti domestici. Portarli presso un centro di riciclaggio autorizzato.



Questo prodotto è conforme alle direttive europee applicabili.



Corrente continua



Questo prodotto è conforme alle direttive britanniche applicabili.

V Tensione

kg Chilogrammo

°C Grado Celsius

mm Millimetro

/min Rotazioni al minuto

IPX4 Protezione dagli schizzi d'acqua

## AVVERTENZE DI SICUREZZA GENERICHE

**⚠ AVVERTENZA!** Consultare tutte le avvertenze di sicurezza, le istruzioni, le illustrazioni e le specifiche fornite insieme a questo apparecchio. Il mancato rispetto delle istruzioni sotto riportate comporta il rischio di scossa elettrica, incendio e/o gravi infortuni.

Conservare tutte le avvertenze e le istruzioni per futuro riferimento.

### Sicurezza dell'area di lavoro

- **Mantenere l'area di lavoro pulita e ben illuminata.** Il disordine e la scarsa illuminazione favoriscono gli incidenti.
- **Non usare gli apparecchi elettrici in atmosfere esplosive, ad esempio in presenza di liquidi infiammabili, benzina o polveri.** Gli apparecchi elettrici producono scintille suscettibili di dare fuoco a polveri o vapori.
- **Durante l'uso di un apparecchio elettrico, tenere a distanza i bambini e le persone presenti.** Le distrazioni possono causare la perdita di controllo.

### Sicurezza elettrica

- **Le spine degli apparecchi elettrici devono essere adatte al tipo di presa. Non modificare la spina in alcun modo. Non usare adattatori con gli apparecchi elettrici dotati di messa a terra (collegati a massa).** L'uso di spine originali corrispondenti al tipo di presa riduce il rischio di scossa elettrica.
- **Evitare il contatto del corpo con superfici collegate a terra come tubi, radiatori, fornelli elettrici e frigoriferi.** Il rischio di scossa elettrica aumenta se il proprio corpo è collegato a terra.
- **Non esporre gli apparecchi elettrici a pioggia o umidità.** L'infiltrazione di acqua all'interno di un apparecchio elettrico aumenta il rischio di scossa elettrica.
- **Non utilizzare il cavo in modo improprio. Non utilizzare il cavo per trasportare, spostare o scollegare l'apparecchio elettrico. Tenere il cavo al riparo da calore, olio, bordi taglienti o parti in movimento.** La presenza di cavi danneggiati o aggrovigliati aumenta il rischio di scossa elettrica.
- **Durante l'uso di un apparecchio elettrico all'aperto, utilizzare una prolunga idonea per ambienti esterni.** L'uso di un cavo idoneo riduce il rischio di scossa elettrica.

- **Se è necessario lavorare in un luogo umido, utilizzare un circuito elettrico dotato di interruttore differenziale (RCD).** L'uso di un interruttore differenziale (RCD) riduce il rischio di scossa elettrica.

### Sicurezza personale

- **Durante l'uso di un apparecchio elettrico, prestare sempre la massima attenzione e utilizzare il buon senso. Non usare gli apparecchi elettrici se si è stanchi o sotto l'effetto di droghe, alcol o farmaci.** Anche un solo momento di disattenzione durante l'uso di un apparecchio elettrico comporta il rischio di lesioni gravi.
- **Indossare dispositivi di protezione individuale. Indossare protezioni per gli occhi. I dispositivi di protezione individuale come maschere antipolvere, calzature antiscivolo, caschi e cuffie per le orecchie, se utilizzati quando le circostanze lo richiedono, riducono il rischio di infortuni.**
- **Prevenire l'avvio accidentale. Assicurarsi che l'interruttore sia in posizione di spegnimento prima di sollevare, trasportare o collegare l'apparecchio elettrico alla presa di corrente e/o alla batteria.** Per ridurre il rischio di incidenti, non trasportare gli apparecchi elettrici tenendo le dita sull'interruttore e non collegarli alla fonte di alimentazione se l'interruttore è in posizione di avvio.
- **Rimuovere eventuali chiavi di regolazione o avvitaemento prima di avviare un apparecchio elettrico.** Una chiave di serraggio rimasta inserita in un elemento mobile dell'apparecchio elettrico comporta il rischio di infortuni.
- **Non allungarsi eccessivamente.** Mantenere sempre un buon equilibrio evitando posizioni instabili. Ciò assicura un miglior controllo dell'apparecchio elettrico in situazioni impreviste.
- **Vestirsi in modo adeguato. Non indossare indumenti ampi o gioielli. Tenere capelli e indumenti lontani dalle parti in movimento.** Indumenti ampi, gioielli e capelli lunghi possono impigliarsi nelle parti in movimento.
- **Se sono disponibili dei dispositivi per l'estrazione e la raccolta della polvere, assicurarsi che siano collegati e utilizzati correttamente.** L'uso di tali dispositivi può ridurre i rischi derivanti dalla polvere.
- **Non lasciare che la familiarità con gli apparecchi elettrici (derivata da un uso frequente) abbassi il livello di attenzione.** Anche una minima distrazione può causare gravi infortuni.

IT

- **Uso e manutenzione dell'apparecchio**
- **Non forzare l'apparecchio elettrico. Usare l'apparecchio elettrico più adatto al lavoro da svolgere.** Gli apparecchi elettrici sono più sicuri ed efficaci se utilizzati alla velocità per la quale sono stati progettati.
- **Non usare l'apparecchio elettrico se l'interruttore non funziona.** Un apparecchio elettrico che non può essere controllato dall'interruttore è pericoloso e deve essere riparato.
- **Rimuovere il gruppo batteria, se removibile, e/o scollegare l'apparecchio elettrico dalla presa di corrente prima di regolarlo, riporlo o sostituire gli accessori.** Tali misure preventive riducono il rischio di avvio accidentale degli apparecchi elettrici.
- **Riporre gli apparecchi elettrici fuori dalla portata dei bambini e non permetterne l'uso a persone che non hanno familiarità con l'apparecchio o le istruzioni per l'uso.** Gli apparecchi elettrici sono pericolosi se utilizzati da persone non competenti.
- **Sottoporre gli apparecchi elettrici e gli accessori a una regolare manutenzione. Verificare che le parti mobili non siano disallineate o piegate e che non siano presenti danni o altre condizioni suscettibili di compromettere il funzionamento dell'apparecchio elettrico. Se l'apparecchio elettrico è danneggiato, farlo riparare prima di usarlo nuovamente.** Molti incidenti sono provocati da apparecchi elettrici in cattive condizioni.
- **Mantenere gli accessori di taglio puliti e affilati.** Un'adeguata manutenzione e affilatura degli accessori di taglio riduce il rischio di inceppamento e facilita il controllo dell'apparecchio elettrico.
- **Usare l'apparecchio elettrico, gli accessori, le punte ecc. conformemente a queste istruzioni, tenendo conto delle condizioni dell'area di lavoro e del tipo di lavoro da svolgere.** L'uso dell'apparecchio elettrico per operazioni diverse da quelle per cui è progettato può comportare situazioni di pericolo.
- **Mantenere le impugnature e le superfici di presa asciutte, pulite e prive di olio o grasso.** Impugnature e superfici di presa scivolose non garantiscono l'uso sicuro e il controllo dell'apparecchio elettrico in situazioni impreviste.
- **Usare esclusivamente gruppi batteria progettati specificamente per questo apparecchio elettrico.** L'uso di altri gruppi batteria comporta il rischio di incendio e infortunio.
- **Quando il gruppo batteria non è in uso, tenerlo lontano da piccoli oggetti metallici, ad esempio graffette, monete, chiavi, chiodi, viti ecc.** poiché potrebbero creare un collegamento tra i due terminali. Il cortocircuito dei terminali della batteria comporta il rischio di incendio o ustioni.
- **L'utilizzo improprio può causare fuoriuscite di liquido dalla batteria: evitare il contatto con tale liquido. In caso di contatto accidentale, lavare l'area interessata con acqua. Se il liquido entra a contatto con gli occhi, consultare un medico.** Il liquido fuoriuscito dalla batteria può causare irritazioni o ustioni.
- **Non usare gruppi batteria o apparecchi elettrici danneggiati o modificati.** Le batterie danneggiate o modificate possono manifestare comportamenti imprevisti, con il rischio di incendio, esplosione o infortunio.
- **Non esporre il gruppo batteria o l'apparecchio elettrico a fiamme o temperature eccessive.** L'esposizione a fiamme o temperature superiori a 130°C comporta il rischio di esplosione.
- **Rispettare tutte le istruzioni relative alla ricarica e non ricaricare il gruppo batteria o l'apparecchio elettrico a temperature diverse da quelle specificate nelle istruzioni.** Una ricarica eseguita in modo improprio o a temperature diverse da quelle specificate può danneggiare la batteria e aumentare il rischio di incendio.

## Riparazioni

- **Affidare la riparazione dell'apparecchio elettrico a personale qualificato e utilizzare esclusivamente parti di ricambio identiche.** Ciò garantisce la sicurezza dell'apparecchio elettrico.
- **Non riparare gruppi batteria danneggiati.** La riparazione dei gruppi batteria deve essere effettuata esclusivamente dal costruttore o da un centro di assistenza autorizzato.

## AVVERTENZE DI SICUREZZA SPECIFICHE PER TRIVELLE PER GHIACCIO

- **Sostituire le trivelle se sono incrinatae, scheggiate o danneggiate in qualsiasi modo.** L'uso dell'apparecchio con una trivella danneggiata

comporta il rischio di lesioni gravi.

- **Non usare la trivella con le impugnature sopra il livello della vita.** Ciò riduce il controllo sulla trivella e può aumentare il rischio di lesioni.
- **Durante l'uso dell'apparecchio, tenerlo saldamente con entrambe le mani sulle impugnature.** La perdita di controllo può provocare gravi infortuni.
- **Tenere l'apparecchio esclusivamente tramite le impugnature isolanti durante le operazioni in cui la coclea può entrare a contatto con cavi elettrici nascosti.** Se la coclea tocca un cavo elettrificato può trasmettere la corrente alle parti metalliche dell'apparecchio, esponendo l'operatore al rischio di scossa elettrica.
- **Per ridurre il rischio di folgorazione, non usare la trivella in prossimità di cavi elettrici interrati.** Il contatto o l'utilizzo in prossimità di cavi elettrici interrati comporta il rischio di lesioni gravi, scossa elettrica o morte.
- **Avviare l'apparecchio a bassa velocità e con l'estremità della coclea a contatto con il terreno.** A velocità superiori, la coclea può piegarsi quando ruota liberamente senza entrare a contatto con il terreno, con il rischio di lesioni gravi.
- **Applicare pressione esclusivamente in linea retta rispetto alla coclea e non applicare una pressione eccessiva.** La coclea può piegarsi, con il rischio di rottura, perdita di controllo e lesioni personali.
- **Assicurarsi di avere un buon contatto con il pavimento.** Se l'apparecchio è usato su terreni sopraelevati, assicurarsi che non siano presenti persone a valle.
- **Impugnare l'apparecchio saldamente.**
- **Tenere mani e piedi a distanza delle parti rotanti.**
- **Non lasciare l'apparecchio incustodito quando è in funzione. Avviare l'apparecchio solo dopo averlo impugnato.**
- **Non toccare la coclea immediatamente dopo l'uso; può essere estremamente calda e causare ustioni.**
- **Se l'apparecchio presenta anomalie, ad esempio emette rumori insoliti, interrompere immediatamente l'utilizzo e contattare il centro di assistenza locale per la riparazione.**
- **Per ridurre il rischio di esplosione, non usare la trivella in prossimità di tubature del gas o dell'acqua interrate.** Il contatto o l'utilizzo in prossimità di tubature del gas o dell'acqua può causarne lo scoppio, con il rischio di lesioni gravi o mortali.

- **Non usare velocità superiori alla velocità massima riportata sulla coclea.** A velocità superiori, la coclea può piegarsi quando ruota liberamente senza entrare a contatto con il terreno, con il rischio di lesioni gravi.
- **Gli apparecchi alimentati batteria non hanno bisogno di essere collegati a un impianto elettrico; pertanto sono sempre in condizioni operative.** Tenere a mente i possibili rischi anche quando l'apparecchio non è in funzione. Prestare attenzione durante le operazioni di manutenzione o riparazione.
- **Non lavare l'apparecchio con tubi per innaffiare; evitare le infiltrazioni d'acqua nel motore e nelle connessioni elettriche.**
- **Le lame per ghiaccio sono molto affilate. Prestare particolare attenzione durante la foratura o la sostituzione delle lame. Installare il coprilama dopo ogni utilizzo.**
- **Verificare frequentemente che la vite di bloccaggio sia fissata saldamente.**
- **Usare esclusivamente i gruppi batteria e i caricabatteria specificati.**

**Conservare queste istruzioni.** Consultarle frequentemente e usarle per istruire gli altri operatori dell'apparecchio. In caso di cessione dell'apparecchio a terzi, allegare anche queste istruzioni per evitare l'uso scorretto e il rischio di lesioni.

## SPECIFICHE TECNICHE

Diametro della coclea/del buco	200 mm
Profondità di foratura max.	990 mm
Peso (senza gruppo batteria)	3.7 kg
Temperatura di funzionamento raccomandata	-20°C - 40°C
Temperatura di conservazione raccomandata	-40°C - 70°C
Livello di potenza sonora $L_{WA}$	97.6 dB(A) K=3 dB(A)
Livello di pressione sonora $L_{PA}$	89.6 dB(A) K=3 dB(A)

Vibrazioni $a_h$	Impugnatura destra	2.52 m/s <sup>2</sup> K=1.5 m/s <sup>2</sup>
	Impugnatura sinistra	2.45 m/s <sup>2</sup> K=1.5 m/s <sup>2</sup>

- Il valore totale di emissione delle vibrazioni dichiarato è stato misurato con un metodo di valutazione standard e può essere utilizzato per confrontare l'apparecchio con altri prodotti analoghi.
- Il valore totale di emissione delle vibrazioni dichiarato può essere utilizzato anche per una valutazione preliminare dei livelli di esposizione.

**NOTA:** il valore di emissione delle vibrazioni durante l'uso effettivo dell'apparecchio può variare rispetto al valore totale dichiarato in base alla modalità di utilizzo dell'apparecchio. Per proteggersi, l'operatore deve indossare guanti e dispositivi di protezione per le orecchie in base alle condizioni di utilizzo effettive.

## ACCESSORI RACCOMANDATI

**AVVERTENZA!** Usare esclusivamente gli accessori elencati di seguito. L'uso di accessori che non soddisfano le specifiche originali possono compromettere le prestazioni e la sicurezza dell'apparecchio.

ACCESSORIO	NUMERO MODELLO
Lama per coclea da trivella per ghiaccio	AB08001

## CONTENUTO DELL'IMBALLAGGIO (FIG. A)

### DESCRIZIONE

#### COMPONENTI DELLA COCLEA DA TRIVELLA PER GHIACCIO (Fig. A)

- Coclea per ghiaccio
- Vite di bloccaggio
- Coprilama
- Lama per ghiaccio
- Chiave esagonale (6 mm)

## ASSEMBLAGGIO

### INSTALLAZIONE DELLA COCLEA PER GHIACCIO

**AVVERTENZA!** L'estremità della coclea è molto affilata. Per evitare il rischio di lesioni personali, prestare particolare attenzione durante la pulizia, l'installazione o la rimozione della coclea. Indossare sempre guanti protettivi durante le operazioni di manutenzione sulla coclea.

- Allentare e rimuovere le vite di bloccaggio dalla coclea per ghiaccio.
- Fissare l'estremità superiore della coclea all'albero di trasmissione dell'unità motore (Fig. B1).
- Allineare fori di collegamento sulla coclea e sull'albero di trasmissione.
- Usare le vite di bloccaggio per fissare la coclea all'albero di trasmissione. Usare la chiave esagonale da 6 mm inclusa per serrarla saldamente (Fig. B2).

B1-1	Albero di trasmissione	B1-2	Estremità superiore della coclea
B2-1	Albero di trasmissione	B2-2	Vite di bloccaggio
B2-3	Lato piatto		

**NOTA:** assicurarsi di inserire la vite di bloccaggio dal lato piatto del foro sulla coclea.

## UTILIZZO

### DESTINAZIONE D'USO

Questo prodotto può essere usato per gli scopi elencati di seguito.

- Praticare fori nel ghiaccio in combinazione con l'apposita unità motore.

### AVVIO/ARRESTO DELLA COCLEA PER GHIACCIO

Consultare la sezione "AVVIO/ARRESTO DELL'UNITÀ MOTORE" nel manuale di istruzioni dell'unità motore PHA7400E.

**NOTA:** indossare guanti protettivi e rimuovere il coprilama prima di avviare l'apparecchio.

### MODALITÀ D'USO DELLA COCLEA PER GHIACCIO

**AVVERTENZA!**

- Per evitare che la coclea possa entrare a contatto con eventuali impianti sotterranei, contattare l'ente preposto prima di usare l'apparecchio.

- Non usare la coclea per ghiaccio per scopi diversi da quelli per cui è progettata.
- La coclea per ghiaccio deve essere usata esclusivamente per praticare fori nel ghiaccio.
- Non forare materiali che potrebbero contenere chiodi o altri oggetti nascosti, perché la coclea potrebbe piegarsi o rompersi.
- Prestare attenzione alla coppia di reazione dell'apparecchio. Mantenere sempre una posizione che permetta di resistere alla coppia di reazione.
- Prestare particolare attenzione quando si lavora su superfici irregolari o in pendenza.

**NOTA:** prima dell'uso, verificare che nelle aperture o nelle parti mobili non siano presenti oggetti estranei (come sabbia e sporcizia).

- a. Mantenere i piedi saldamente a contatto con la superficie di lavoro e tenere le impugnature dell'apparecchio vicino alla vita. Afferrare saldamente l'impugnatura destra con la mano destra e l'impugnatura sinistra con la mano sinistra (Fig. C1).

C1-1	Impugnatura destra	C1-2	Impugnatura sinistra
------	--------------------	------	----------------------

**AVVERTENZA!** Non afferrare l'impugnatura destra con la mano sinistra e l'impugnatura sinistra con la mano destra. Una posizione scorretta delle mani comporta il rischio di lesioni gravi (Fig. C2).

**AVVERTENZA!** Non assumere una posizione scorretta (Fig. C3) e non distanziarsi eccessivamente dall'apparecchio per evitare la perdita di controllo in caso di contraccolpo.

- b. Tenere la coclea lontano dal corpo e orientarla verso il basso a un angolo di 90° rispetto alla superficie.
- c. Regolare la velocità e la direzione di rotazione.
- d. Sollevare l'apparecchio sopra la superficie. Tenere premuto il pulsante di sbloccaggio, quindi premere l'interruttore.

**AVVERTENZA!** Non toccare la coclea quando l'apparecchio è in funzione.

- e. Attendere che la coclea raggiunga la piena velocità.
- f. Abbassare la coclea nella superficie mantenendo un angolo di 90° (Fig. C4). Lasciare che la coclea penetri nel materiale; non forzare l'apparecchio.
- g. Quando la coclea inizia a riempirsi di terreno, per ottenere un taglio ottimale e ridurre lo sforzo necessario è importante pulirla costantemente; quando la trivella è in funzione a piena velocità,

sollevarla lentamente dal buco e lasciare che i detriti si stacchino dalla coclea.

- h. Al termine del lavoro, rilasciare l'interruttore e attendere che la coclea si arresti completamente.
- i. Se è necessario allontanarsi momentaneamente, non lasciare l'apparecchio inserito nel ghiaccio e non appoggiarlo contro un muro. Installare il coprilama e appoggiare l'apparecchio in una posizione stabile.

### SUGGERIMENTI PER L'USO DELLA COCLEA PER GHIACCIO

- Una pressione eccessiva sull'apparecchio non aumenta la velocità di foratura. Al contrario, una pressione eccessiva non solo danneggerà la coclea, ma ridurrà le prestazioni dell'apparecchio e ne ridurrà la durata di servizio.
- Se il buco dev'essere profondo, o se il terreno è argilloso, non praticare il buco in una volta sola. Sollevare e abbassare ripetutamente l'apparecchio per rimuovere il terreno dal buco.
- Se la velocità di rotazione dell'apparecchio si riduce a causa del sovraccarico, sollevare leggermente l'apparecchio e muoverlo verso l'alto e verso il basso per praticare il buco gradualmente.
- Se la coclea si inceppa nel buco, rimuoverla selezionando la direzione di rotazione inversa. Durante la rotazione inversa, bloccare l'apparecchio con il proprio corpo per evitare una reazione in senso orario.
- Prima di praticare fori in stagni, laghi o fiumi ghiacciati, contattare le autorità locali e adottare tutte le precauzioni necessarie per verificare che lo spessore del ghiaccio sia sicuro.
- Durante l'estrazione della coclea per ghiaccio dal buco, sollevare l'apparecchio verticalmente affinché la coclea fuoriesca in linea retta, senza inclinarsi. Per ridurre gli schizzi durante la foratura del ghiaccio, rilasciare l'interruttore non appena la coclea rompe il ghiaccio. Sollevare lentamente l'apparecchio. Per evitare che il buco venga calpestato, coprirlo e contrassegnarlo chiaramente.

### MANUTENZIONE

**AVVERTENZA!** Per evitare il rischio di lesioni gravi, rimuovere il gruppo batteria dall'apparecchio prima di pulirlo, ripararlo, sostituire gli accessori o rimuovere del materiale dall'apparecchio.

## MANUTENZIONE GENERALE

- Evitare l'uso di solventi durante la pulizia delle parti in plastica. I solventi disponibili in commercio possono danneggiare la maggior parte dei componenti in plastica. Usare un panno pulito per rimuovere sporcizia, polvere, olio, grasso, ecc.

**IT** **⚠ AVVERTENZA!** Evitare che sostanze come liquidi per i freni, benzina, prodotti a base di petrolio, ecc. entrino a contatto con le parti in plastica. Le sostanze chimiche possono danneggiare, indebolire o distruggere la plastica, con il rischio di lesioni gravi.

## SOSTITUZIONE DELLE LAME PER GHIACCIO

- Se la coclea "salta" sul ghiaccio o penetra lentamente nel ghiaccio durante la foratura, potrebbe essere necessario sostituire le lame per ghiaccio.
  - Utensili necessari: chiave esagonale da 6 mm (inclusa), chiave esagonale da 3 mm (non inclusa).
1. Rimuovere il gruppo batteria dalla trivella e separare la coclea dall'albero di trasmissione dell'unità motore rimuovendo la vite di bloccaggio con la chiave esagonale da 6 mm.
  2. Indossare guanti protettivi e rimuovere il coprilama (Fig. D1).
  3. Usando una chiave esagonale da 3 mm, rimuovere le viti e le lame per ghiaccio dalla coclea. (Fig. D2).
  4. Installare le lame nuove e serrarle saldamente.
  5. Installare il coprilama.

D1-1	Coprilama	D1-2	Lame per ghiaccio
D2-1	Vite	D2-2	Lama per ghiaccio

## CONSERVAZIONE DELLA COCLEA PER GHIACCIO

1. Rimuovere il gruppo batteria.
2. Rimuovere la coclea dall'albero di trasmissione dell'unità motore.
3. Pulire accuratamente la coclea prima di riparla.
4. Installare il coprilama sulla coclea.
5. Conservare la coclea in un luogo asciutto, ben ventilato, elevato o chiuso a chiave, e fuori dalla portata dei bambini. Non conservare la coclea sopra o in prossimità di fertilizzanti, benzina o altre sostanze chimiche.

## Protezione dell'ambiente



Non smaltire gli apparecchi elettrici, i caricabatteria e le batterie insieme ai rifiuti domestici. Portare il prodotto presso un centro di riciclaggio autorizzato affinché venga raccolto separatamente. Gli apparecchi elettrici devono essere portati presso un centro di riciclaggio ecocompatibile.

## RISOLUZIONE DEI PROBLEMI

PROBLEMA	CAUSA	SOLUZIONE
L'apparecchio non si avvia o si arresta improvvisamente.	<ul style="list-style-type: none"> <li>■ Il gruppo batteria è scarico.</li> <li>■ Il gruppo batteria è troppo caldo o troppo freddo.</li> <li>■ Il cavo dell'impugnatura destra non è collegato correttamente al cavo dell'unità motore.</li> </ul>	<ul style="list-style-type: none"> <li>■ Ricaricare il gruppo batteria.</li> <li>■ Attendere che il gruppo batteria si raffreddi o si riscaldi, quindi riavviare la trivella.</li> <li>■ Collegare il cavo dell'impugnatura destra al cavo dell'unità motore come descritto alla sezione <b>"INSTALLAZIONE DELLE IMPUGNATURE"</b> nel manuale di istruzioni dell'unità motore PHA7400E.</li> </ul>
La coclea "salta" sul ghiaccio o penetra lentamente nel ghiaccio.	<ul style="list-style-type: none"> <li>■ Alcuni componenti sono allentati.</li> </ul>	<ul style="list-style-type: none"> <li>■ Arrestare la trivella, rimuovere il gruppo batteria e controllare e serrare eventuali parti allentate.</li> </ul>
La coclea non cambia velocità o direzione di rotazione dopo aver regolato la velocità/direzione di rotazione con l'apposito selettore.	<ul style="list-style-type: none"> <li>■ La coclea è allentata.</li> </ul>	<ul style="list-style-type: none"> <li>■ Reinstallare la coclea come descritto alla sezione <b>"INSTALLAZIONE DELLA COCLEA PER GHIACCIO"</b> di questo manuale.</li> </ul>
Ice auger jumps on the ice or cuts slowly through the ice.	<ul style="list-style-type: none"> <li>■ Le lame sono usurate/danneggiate.</li> </ul>	<ul style="list-style-type: none"> <li>■ Sostituire le lame come indicato alla sezione <b>"SOSTITUZIONE DELLE LAME PER GHIACCIO"</b> in questo manuale.</li> </ul>
The auger rotation direction or speed is not switched after pushing the rotation direction/speed selector.	<ul style="list-style-type: none"> <li>■ La direzione di rotazione può essere modificata esclusivamente quando la trivella non è in funzione.</li> <li>■ Altre cause non identificate.</li> </ul>	<ul style="list-style-type: none"> <li>■ Arrestare completamente la trivella, regolare la velocità/direzione di rotazione con l'apposito selettore, quindi riavviare la trivella.</li> <li>■ Contattare il servizio clienti EGO per la riparazione.</li> </ul>

IT

## GARANZIA

### CONDIZIONI DELLA GARANZIA EGO

Visitare il sito web [egopowerplus.eu](http://egopowerplus.eu) per consultare le condizioni complete della garanzia EGO.

## LEES ALLE INSTRUCTIES!



### LEES DE GEBRUIKSAANWIJZING

**⚠ WAARSCHUWING:** Laat alle reparaties uitvoeren door een vakbekwame reparateur om een continue veiligheid en betrouwbaarheid te waarborgen.

## VEILIGHEIDSSYMBOL

NL

Het doel van de veiligheidssymbolen is om u te wijzen op mogelijke gevaren. Besteed daarom voldoende aandacht hieraan en begrijp de veiligheidssymbolen en bijbehorende uitleg. De symboolwaarschuwingen op zich elimineren geen enkel gevaar. De verstrekte instructies en waarschuwingen gelden niet als vervanging voor gepaste voorzorgsmaatregelen tegen ongevallen.

**⚠ WAARSCHUWING:** Lees en begrijp alle veiligheidsinstructies die in deze gebruiksaanwijzing staan vermeld, waaronder alle veiligheidssymbolen zoals "GEVAAR", "WAARSCHUWING", en "OPGELET" voordat u dit gereedschap in gebruik neemt. Het negeren van onderstaande instructies kan leiden tot een elektrische schok, brand en/of ernstig persoonlijk letsel.

## VEILIGHEIDSINSTRUCTIES

Deze pagina toont en beschrijft alle veiligheidssymbolen die zich op dit product kunnen bevinden. Lees, begrijp en volg alle instructies op de machine voordat u deze in elkaar steekt en gebruikt.



Veiligheidswaarschuwing



De gebruiker moet de gebruiksaanwijzing lezen om het risico op letsel te beperken.



Draag oogbescherming



Draag gehoorbescherming



Gooi elektrisch afval niet via het huishoudelijk afval weg. Breng het naar een geautoriseerd recyclingbedrijf.



Dit product is in overeenstemming met de EG-richtlijnen.



Gelijkstroom



Dit product is in overeenstemming met de toepasselijke richtlijnen van het VK.

V Spanning

kg Kilogram

°C Celsius

mm Millimeter

/min Toeren per minuut

IPX4 Bescherming tegen opspattend water

## ALGEMENE VEILIGHEIDSVOORSCHRIFTEN VOOR HET GEREEDSCHAP

**⚠ WAARSCHUWING:** Lees alle veiligheidswaarschuwingen, instructies, illustraties en specificaties die met deze machine worden geleverd. Het niet opvolgen van alle onderstaande instructies kan leiden tot elektrische schokken en/of ernstig letsel.

**Bewaar alle waarschuwingen en instructies voor toekomstig gebruik.**

### Veiligheid op de werkplaats

- **Houd uw werkplaats schoon en goed verlicht.** Rommelige of donkere ruimten kunnen ongevallen veroorzaken.
- **Gebruik de machine niet in een explosieve omgeving, zoals in de aanwezigheid van ontvlambare vloeistoffen, gassen of stof.** De machine veroorzaakt vonken en deze kan stof of dampen ontsteken.
- **Houd kinderen en omstanders uit de buurt wanneer u een machine bedient.** Aflleiding kan tot controleverlies leiden.

### Elektrische veiligheid

- **De stekker van de machine moet in het stopcontact passen. Pas de stekker op geen enkele manier aan. Gebruik geen adapterstekker met geaarde machines.** Niet aangepaste stekkers en overeenkomstige stopcontacten beperken het risico op elektrische schokken.
- **Vermijd lichamelijk contact met geaarde oppervlakken, zoals pijpleidingen, radiatoren, fornuizen of koelkasten.** Het risico op een elektrische schok is groter als uw lichaam geaard is.
- **Stel geen machines bloot aan regen of natte omstandigheden.** Water dat een machine binnendringt vergroot het risico op elektrische schokken.
- **Gebruik de kabel niet op een verkeerde manier. Gebruik de kabel nooit om de machine te dragen of mee te trekken of om de stekker uit het stopcontact te halen. Houd de kabel uit de buurt van hitte, olie, scherpe randen of bewegende onderdelen.** Beschadigde of verstrikte kabels vergroten het risico op een elektrische schok.
- **Wanneer u een machine buitenshuis bedient, gebruik dan een verlengkabel die geschikt is voor**

**gebruik buitenshuis.** Het gebruik van een kabel die voor gebruik buitenshuis geschikt is, verkleint het risico op een elektrische schok.

- **Als het gebruik van een machine in een vochtige ruimte noodzakelijk is, gebruik dan een aardlekschakelaar.** Het gebruik van een ALS verkleint het risico op een elektrische schok.

### Persoonlijke veiligheid

- **Wees waakzaam, let op wat u doet en gebruik uw gezond verstand wanneer u een machine gebruikt. Gebruik geen machine niet als u moe bent of onder de invloed bent van drugs, alcohol of medicijnen.** Een moment van onoplettendheid tijdens het gebruik van de machine kan leiden tot ernstig persoonlijk letsel.
- **Gebruik persoonlijke beschermingsmiddelen. Draag altijd oogbescherming. Beschermingsmiddelen zoals een stofmasker, slipvaste veiligheidsschoenen, veiligheidshelm of gehoorbescherming afhankelijk van de aard en het gebruik van het gereedschap verkleint het risico op persoonlijk letsel.**
- **Vermijd dat de machine per ongeluk wordt gestart. Zorg dat de schakelaar op de stand 'Uit' is ingesteld voordat u de machine op een stroombron en/of accupack aansluit, vastneemt of draagt.** Het dragen van een machine met uw vinger op de schakelaar of het activeren van een machine met de schakelaar op 'aan', leidt tot ongelukken.
- **Verwijder instelsleutels of moersleutels voordat u de machine inschakelt.** Een instelsleutel of moersleutel in een draaiend deel van de machine achterlaten kan leiden tot persoonlijk letsel.
- **Reik niet te ver. Zorg er altijd voor dat u stevig en stabiel staat.** Dit zorgt ervoor dat u de machine in onverwachte situaties beter onder controle kunt houden.
- **Draag passende kleding. Draag geen los hangende kleding of sieraden. Houd uw haar en kleding uit de buurt van bewegende onderdelen.** Los hangende kleding, sieraden en lang haar kunnen in bewegende onderdelen verstrikt raken.
- **Wanneer de montage van stofafzuiging- of stofopvangvoorzieningen mogelijk is, dient u ervoor te zorgen dat deze juist aangesloten en gebruikt worden.** Het gebruik van een stofopvang kan helpen om het risico in verband met stof te verlagen.
- **Word niet zelfingenomen door de ervaring die u hebt opgedaan door frequent gebruik, waardoor u dan de veiligheidswaarschuwingen negeert.**

NL

Een achteloze actie kan binnen een fractie van een seconde ernstig letsel veroorzaken.

## Gebruik en onderhoud van de machine

- **Overbelast de machine niet. Gebruik de juiste machine voor uw toepassing.** Met de juiste machine werkt u beter en veiliger binnen het aangegeven vermogensbereik.
- **Gebruik de machine niet als de schakelaar niet kan worden in- en uitgeschakeld.** Een machine die niet met de schakelaar kan worden bediend is gevaarlijk en moet worden gerepareerd.
- **Trek de stekker uit de stroomvoorziening en/of verwijder het accupack, indien die kan worden verwijderd, uit het gereedschap voordat u deze instelt, accessoires vervangt of het gereedschap opbergt.** Deze preventieve voorzorgsmaatregelen beperken het risico op onbedoeld starten van de machine.
- **Bewaars de niet-gebruikte machine buiten het bereik van kinderen en laat de machine niet bedienen door personen die niet bekend zijn met de machine of deze instructies.** Machines zijn gevaarlijk wanneer ze door onervaren personen worden gebruikt.
- **Onderhoud van machines en toebehoren. Controleer of de bewegende onderdelen correct functioneren en niet vastklemmen en/of de onderdelen zodanig gebroken of beschadigd zijn dat de werking van de machine nadelig wordt beïnvloedt. Als de machine beschadigd is, laat deze voor gebruik repareren.** Vele ongevallen worden veroorzaakt door een slecht onderhouden machine.
- **Houd snij-gereedschap scherp en schoon.** Zorgvuldig onderhouden snij-gereedschap met scherpe snijranden klemt minder snel vast en is gemakkelijker te beheersen.
- **Gebruik het gereedschap, de accessoires, het inzetgereedschap, etc. in overeenstemming met deze instructies en houd hierbij rekening met de werkomstandigheden en de uit te voeren werkzaamheden.** Het gebruik van de machine voor andere dan de beoogde toepassingen kan een gevaarlijke situatie tot gevolg hebben.
- **Houd de handgrepen en greepvlakken droog, schoon en vrij van olie en smeervet.** Glibberige handgrepen en greepvlakken maken een veilige omgang en de controle over de machine in onverwachte situaties onmogelijk.

## Gebruik en onderhoud van het accu-gereedschap

- **Laad alleen op met de lader die door de fabrikant is aangegeven.** Een lader die geschikt is voor een bepaald type accupack kan tot brandgevaar leiden wanneer deze gebruikt wordt met een ander accupack.
  - **Gebruik machines alleen met de specifiek vermelde accupacks.** Het gebruik van andere accupacks kan risico op letsel en brandgevaar veroorzaken.
  - **Wanneer u het accupack niet gebruikt, houd het uit de buurt van andere metalen voorwerpen zoals paperclips, munten, sleutels, spijkers, schroeven of andere kleine metalen voorwerpen die de twee aansluitklemmen kunnen verbinden.** Het kortsluiten van de aansluitklemmen kan brandwonden of brand veroorzaken.
  - **Bij verkeerd gebruik kan er vloeistof uit de accu worden gespoten; vermijd elk contact. Als aanraking met de vloeistof toevallig plaatsvindt, spoel het dan af met water.** Als de vloeistof in de ogen komt, dient u onmiddellijk een arts te consulteren. Vloeistof uit de accu kan irritatie of brandwonden veroorzaken.
  - **Gebruik geen accupack of machine die is beschadigd of aangepast.** Beschadigde of aangepaste accu's kunnen resulteren in onvoorzien gedrag zoals brand, explosie of het risico op letsel.
  - **Stel een accupack of machine niet bloot aan vuur of excessieve temperaturen.** Blootstelling aan vuur of temperaturen boven 130°C kunnen leiden tot een explosie.
  - **Neem alle laadinstructies in acht en laad het accupack of de machine niet buiten het gespecificeerde temperatuurbereik in de handleiding op.** Het onjuist laden of bij een temperatuur buiten het temperatuurbereik kan de accu beschadigen en er bestaat een gevaar op brand.
- ### Reparatie
- **Laat uw machine repareren door een gekwalificeerd persoon en alleen met identieke reserveonderdelen.** Dit waarborgt dat de veiligheid van het gereedschap behouden blijft.
  - **Repareer beschadigde accupacks nooit.** Onderhoud van accupacks mag alleen worden uitgevoerd door de fabrikant of een geautoriseerde dienstverlener.

## VEILIGHEIDSWAARSCHUWINGEN VOOR IJSBOREN

- **Vervang de boren als ze gebarsten, gebogen of beschadigd zijn.** Het gebruik van de machine met een beschadigde boor kan leiden tot ernstig letsel.
- **Gebruik de boor nooit met de handgrepen boven heuphoogte.** Dit beperkt de controle over de boor en kan het risico op letsel vergroten.
- **Houd de machine met beide handen vast aan de daarvoor voorziene handgrepen.** Controleverlies kan persoonlijk letsel tot gevolg hebben.
- **Houd de machine vast aan de geïsoleerde grepen, als u een handeling uitvoert waarbij het graafaccessoire in contact kan komen met verborgen bedrading.** Een graafaccessoire dat met een draad onder stroom in aanraking komt, kan de blootgestelde metalen onderdelen van de machine onder stroom zetten en de gebruiker een elektrische schok geven.
- **Om het risico op elektrocutie te beperken, gebruik de boor nooit in de buurt van ondergrondse elektrische stroomkabels.** Contact met of gebruik in de buurt van ondergrondse elektrische stroomkabels kan ernstig letsel of elektrische schokken veroorzaken met de dood tot gevolg.
- **Start de machine altijd op lage snelheid en met de punt van de boor in contact met de grond.** Bij hogere snelheden zal de bit waarschijnlijk buigen als het vrij kan draaien zonder contact met de grond, wat resulteert in persoonlijk letsel.
- **Oefen alleen druk uit in directe lijn met het de boor en oefen geen overmatige druk uit.** Bits kunnen buigen, waardoor breuk of verlies van controle ontstaat, wat resulteert in persoonlijk letsel.
- **Zorg er altijd voor dat u stevig staat.** Zorg ervoor dat er zich niemand onder de machine bevindt wanneer deze op een hoge locatie wordt gebruikt.
- **Houd de machine stevig vast.**
- **Houd de handen uit de buurt van draaiende onderdelen.**
- **Laat de machine niet zonder toezicht draaien. Gebruik de machine alleen in de handen.**
- **Raak de boor niet direct na gebruik aan.** Deze kan extreem heet zijn en u kunt brandwonden oplopen.
- **Als er iets mis is met de machine, zoals abnormale geluiden, stop onmiddellijk met gebruik en neem contact op met uw lokaal servicecentrum voor reparatie.**
- **Om het risico op explosie te beperken, gebruik de boor nooit in de buurt van ondergrondse gasleidingen, waterleidingen en pijpen.** Contact

met of gebruik in de buurt van ondergrondse water- of gasleidingen kan leiden tot het barsten van waterleidingen en explosie van gasleidingen, wat ernstig letsel of de dood kan veroorzaken.

- **Werk nooit met een hogere snelheid dan de maximale snelheid van de boorbit.** Bij hogere snelheden en bij vrij draaien voor het contact met het werkstuk, kan het apparaat gaan bewegen over het werkstuk wat kan resulteren in persoonlijk letsel.
- **Accu-aangedreven machines hoeven niet aan een stopcontact te worden aangesloten en kunnen dus altijd onmiddellijk gebruikt worden. Pas op voor mogelijke gevaren, zelfs wanneer de machine niet in werking is.** Let op wanneer u onderhoud op het gereedschap uitvoert.
- **Reinig het gereedschap niet met een slang. Zorg dat de motor of elektrische componenten niet met water in aanraking komen.**
- **De ijsmesses zijn erg scherp. Wees uiterst voorzichtig bij het boren van een gat of het vervangen van de messes. Breng de beschermkap na elk gebruik aan.**
- **Controleer de borgschroef regelmatig en zorg ervoor dat die stevig vastzit.**
- **Alleen gebruiken met de gespecificeerde accupacks en opladers.**

**Bewaar deze gebruiksaanwijzing.** Raadpleeg de gebruiksaanwijzing indien nodig en gebruik deze om andere personen die deze machine zullen gebruiken te instrueren. Al u deze machine aan iemand anders geeft, doe dan tevens deze gebruiksaanwijzing erbij om verkeerd gebruik en mogelijk letsel te voorkomen.

## SPECIFICATIES

Boorbit-/gatdiameter	200 mm
Maximale boordiepte	990 mm
Gewicht (zonder accupack)	3.7 kg
Aanbevolen bedrijfstemperatuur	-20°C - 40°C
Aanbevolen opbergtemperatuur	-40°C - 70°C
Geluidsvermogensniveau $L_{WA}$	97.6 dB(A) K=3 dB(A)
Geluidsdrukniveau $L_{PA}$	89.6 dB(A) K=3 dB(A)

Trilling $a_{hv}$ :	Rechter handvat	2.52 m/s <sup>2</sup> K=1.5 m/s <sup>2</sup>
	Linker handvat	2.45 m/s <sup>2</sup> K=1.5 m/s <sup>2</sup>

- De opgegeven totale vibratiewaarde is gemeten volgens de standaard testmethode en kan worden gebruikt om de machine met een andere machine te vergelijken.
- De opgegeven totale vibratiewaarde kan tevens worden gebruikt in een voorafgaande beoordeling of blootstelling.

**OPMERKING:** De trillingsemissie tijdens het werkelijk gebruik van de machine kan verschillen van de gebruikte machine. Om de gebruiker te beschermen dient de gebruiker tijdens het gebruik handschoenen en gehoorbescherming te dragen.

## AANBEVOLEN ACCESSOIRES

**WAARSCHUWING:** Gebruik alleen onderstaande accessoires. Het gebruik van accessoires die niet aan de specificaties van de originele uitrusting voldoen kunnen verkeerde prestaties leveren en de veiligheid in gevaar brengen.

NAAM VAN HET ONDERDEEL	MODELNUMMER
Ijsboormes	AB0800I

## VERPAKKINGSLIJST (AFB. A)

### BESCHRIJVING

#### KEN UW IJSBOORBIT (Afb. A)

- Ijsboorbit
- Borgschroef
- Beschermkap
- IJsmes
- Inbussleutel (6 mm)

### MONTAGE

#### DE IJSBOORBIT INSTALLEREN

**WAARSCHUWING:** De boorbit is zeer scherp. Om persoonlijk letsel te voorkomen, wees uiterst voorzichtig bij het schoonmaken, installeren of verwijderen van

de boorbit. Draag altijd veiligheidshandschoenen als u onderhoud op de boorbit uitvoert.

- Draai de borgschroef van de ijsboorbit los en verwijder deze.
- Monteer het bovenste uiteinde van het boorbit op de aandrijfas van de motorkop (Afb. B1).
- Lijn de verbindingsgaten op de boorbit en de aandrijfas uit.
- Gebruik de borgschroef om de boorbit aan de aandrijfas te bevestigen. Gebruik de meegeleverde 6 mm inbussleutel om de borgschroef stevig vast te draaien (Afb. B2).

B1-1	Aandrijfas	B1-2	Bovenste uiteinde van de ijsboorbit
B2-1	Aandrijfas	B2-2	Borgschroef
B2-3	Platte kant		

**OPMERKING:** Zorg ervoor dat de borgschroef vanaf de platte kant van het boorbitgat in de verbindingsgaten wordt aangebracht.

### WERKING

#### TOEPASSING

U kunt dit product gebruiken voor onderstaand vermelde doeleinden:

- Gaten boren in ijs met behulp van de ijsboorbit.

#### DE IJSBOOR STARTEN/STOPPEN

Zie de sectie 'DE MOTORKOP STARTEN/STOPPEN' in de gebruiksaanwijzing van de motorkop PHA7400E.

**OPMERKING:** Draag beschermende handschoenen en verwijder de beschermkap voordat het product wordt gestart.

#### WERKEN MET DE IJSBOOR

##### WAARSCHUWING:

- Neem contact op met het lokaal nutsbedrijf voor het markeren van ondergrondse leidingen voordat u de machine gebruikt om contact met ondergrondse nutsvoorzieningen te voorkomen.
- Gebruik de ijsboor niet voor andere doeleinden dan waarvoor die bedoeld is.
- Gebruik de ijsboor alleen om gaten in ijs te boren.
- Graaf niet in materiaal waarvan u vermoedt dat het verborgen spijkers of andere voorwerpen bevat waardoor de boorbit kan vastlopen of breken.

- Blijf waakzaam voor de reactiekracht van de machine. Houd altijd een werkhouding aan waarin u de koppelreactiekracht kunt weerstaan.
- Wees bijzonder voorzichtig als u op hellingen of een oneffen ondergrond werkt.

**OPMERKING:** Controleer voor gebruik of er geen vreemde stoffen (zand, vuil, etc.) in de openingen of bewegende delen vastzitten.

- Zorg ervoor dat uw voeten stevig op het werkoppervlak staan en houd de handgrepen dicht bij uw middel. Houd de rechter handgreep stevig vast met uw rechterhand en de linker handgreep met uw linkerhand (Afb. C1).

C1-1	Rechter handgreep	C1-2	Linker handgreep
------	-------------------	------	------------------

**⚠ WAARSCHUWING:** Houd nooit de rechter handgreep met de linkerhand en de linker handgreep met de rechterhand vast. Verkeerde handposities kunnen leiden tot ernstig letsel (Afb. C2).

**⚠ WAARSCHUWING:** Vermijd een verkeerde houding (Afb. C3). Ga niet te ver van de machine staan. Een juiste reactie en controle kunnen mogelijk niet worden bereikt in geval van terugslag.

- Houd de boorbit uit de buurt van uw lichaam en zorg ervoor dat de boorbit naar beneden wijst in een hoek van 90° ten opzichte van het oppervlak.
- Stel de draairichting en -snelheid in.
- Til de machine boven het oppervlak. Houd de vergrendelknop ingedrukt en knijp de trekkerschakelaar dicht.

**⚠ WAARSCHUWING:** Raak de boorbit niet aan wanneer het product ingeschakeld is.

- Laat de boor volledig op snelheid komen.
- Laat de boorbit tegen een hoek van 90° in het oppervlak zakken (Afb. C4). Laat de boorbit in het materiaal bijten en laat de machine het werk doen.
- Naarmate de boorbit zich begint te vullen met puin, is het belangrijk om die voortdurend te verwijderen om een schone snede te maken en de benodigde inspanning te beperken. Terwijl de boorbit op volle snelheid werkt, til de boorbit langzaam uit het gat en laat het puin uit de boorbit verwijderen.
- Laat na gebruik van deze machine de trekkerschakelaar los en laat de boor tot een volledige stilstand komen.
- Wanneer u de machine verlaat, bijvoorbeeld tijdens een pauze, laat de machine niet in het ijs

achter en leun deze niet tegen een muur. Breng de beschermkap op de ijsboorbit aan en berg de machine in een stabiele positie op.

#### TIPS VOOR HET GEBRUIK VAN DE IJSBOOR

- Overmatige druk op de machine uitoefenen zal het graven niet versnellen. Overmatige druk zal alleen de punt van de ijsboorbit beschadigen, de prestaties van de machine verlagen en de levensduur van de machine verkorten.
- Wanneer u een diep gat boort of in kleigrond boort, probeer dan niet in één keer te graven. Graaf het gat door de machine op en neer te bewegen zodat de losse grond in het gat kan worden afgevoerd.
- Als de draaisnelheid van de machine afneemt door een hoge belasting, til de machine een beetje op en beweeg de machine op en neer om in kleine stappen te boren.
- Een vastzittende boorbit kan eenvoudig worden verwijderd door de boor in omgekeerde richting te laten draaien om die terug te trekken. Tijdens het achteruit draaien, ondersteun de machine met uw lichaam om een rechtsomdraaiende reactie te voorkomen.
- Raadpleeg voor het werken met een boorbit op bevroren vijvers, meren of stromen uw lokale autoriteit en neem alle noodzakelijke voorzorgsmaatregelen om een veilige ijsdikte te garanderen.
- Wanneer u de ijsboorbit uit het gat haalt, til de machine verticaal op zodat de bit er recht uitkomt zonder te kantelen. Om spatten bij het boren van gaten in het ijs te minimaliseren, laat de trekkerschakelaar onmiddellijk los zodra de ijsboorbit door het ijs breekt. Breng de machine langzaam omhoog. Bedek en markeer de boorgaten duidelijk om te voorkomen dat iemand in een gat stapt.

NL

#### ONDERHOUD

**⚠ WAARSCHUWING:** Om ernstig persoonlijk letsel te voorkomen, haal het accupack uit het product voor onderhoud, reiniging, het vervangen van accessoires of het verwijderen van materiaal.

#### ALGEMEEN ONDERHOUD

- Maak de kunststof onderdelen niet schoon met oplosmiddelen. De meeste kunststoffen kunnen worden beschadigd wanneer ze in contact komen met commerciële oplosmiddelen. Gebruik een schone doek voor het verwijderen van vuil, stof, olie, vet, etc.

**⚠ WAARSCHUWING:** Zorg dat remvloeistof, benzine, producten op basis van aardolie, oliën, etc. op geen

enkel moment met de kunststof onderdelen in aanraking komen. Chemicaliën kunnen de kunststof onderdelen beschadigen en ernstig persoonlijk letsel veroorzaken.

## DE IJSMESSEN VERVANGEN

- Als de ijsboor op het ijs springt of langzaam door het ijs snijdt bij het boren van ijsgaten, moeten de ijsmesses mogelijk worden vervangen.
- Vereist gereedschap: 6 mm inbussleutel (inbegrepen), 3 mm inbussleutel (niet inbegrepen)

NL

1. Verwijder het accupack van de boor en verwijder de ijsboorbit van de aandrijfas van de motorkop door de borgschroef los te draaien met behulp van de 6 mm inbussleutel en deze te verwijderen.
2. Draag beschermende handschoenen en verwijder de beschermkap (Afb. D1).
3. Maak de schroeven en ijsmesses los van de ijsboorbit met behulp van de met de 3 mm inbussleutel en verwijder ze (Afb. D2).
4. Vervang de messen door nieuwe en maak ze stevig vast.
5. Installeer de beschermkap.

D1-1	Beschermkap	D1-2	Ijsmesses
D2-1	Schroef	D2-2	Ijsmes

## DE IJSBOORBIT OPBERGEN

1. Verwijder het accupack.
2. Haal de boorbit uit de aandrijfas van de motorkop.
3. Maak de boorbit grondig schoon voordat u die opbergt.
4. Installeer de beschermkap op de ijsboorbit.
5. Berg de boorbit op in een droge, goed geventileerde en afsluitbare ruimte of op een hoge hoogte en buiten het bereik van kinderen. Berg de boorbit niet op in de buurt van meststoffen, benzine of andere chemicaliën.

## Het milieu beschermen



Gooi geen elektrische apparatuur, gebruikte accu's en laders weg via het huishoudelijk afval! Geef dit product af bij een geautoriseerd recyclingbedrijf en zorg dat het apart kan worden ingezameld.

Elektrisch gereedschap moet worden afgegeven voor een milieuvriendelijke recycling.

## PROBLEEMOPLOSSING

PROBLEEM	ORZAAK	OPLOSSING
Machine start niet of stopt onverwacht.	<ul style="list-style-type: none"> <li>■ Accupack is bijna leeg.</li> <li>■ Het accupack is oververhit of te koud.</li> <li>■ De kabel van de rechter handgreep is niet goed aangesloten op de kabel van de motorkop.</li> </ul>	<ul style="list-style-type: none"> <li>■ Laad het accupack op.</li> <li>■ Wacht tot het accupack is afgekoeld of opgewarmd, waarna de boor opnieuw gestart kan worden.</li> <li>■ Sluit de kabels van de rechter handgreep en de motor aan volgens de sectie <b>“DE HANDGREPEN INSTALLEREN”</b> in de gebruikershandleiding van de motorkop PHA7400E.</li> </ul>
De ijsboor springt op het ijs of snijdt langzaam door het ijs.	<ul style="list-style-type: none"> <li>■ Bepaalde onderdelen zitten los.</li> </ul>	<ul style="list-style-type: none"> <li>■ Stop de boor, verwijder het accupack, controleer op losse onderdelen en draai ze vast.</li> </ul>
De draairichting of snelheid van de boor verandert niet na het indrukken van de draairichting-/snelheidskeuzeschakelaar.	<ul style="list-style-type: none"> <li>■ Losse boorbit.</li> </ul>	<ul style="list-style-type: none"> <li>■ Installeer de boorbit opnieuw volgens de sectie <b>“DE IJSBOORBIT INSTALLEREN”</b> in deze handleiding.</li> </ul>
Ice auger jumps on the ice or cuts slowly through the ice.	<ul style="list-style-type: none"> <li>■ Messen zijn bot of beschadigd.</li> </ul>	<ul style="list-style-type: none"> <li>■ Vervang de messen door nieuwe volgens de sectie <b>“DE IJSMESSEN VERVANGEN”</b> in deze handleiding.</li> </ul>
The auger rotation direction or speed is not switched after pushing the rotation direction/ speed selector.	<ul style="list-style-type: none"> <li>■ Het wisselen van draairichting tussen voor- en achterwaarts is alleen mogelijk wanneer de boor is gestopt.</li> <li>■ Andere niet geïdentificeerde oorzaken.</li> </ul>	<ul style="list-style-type: none"> <li>■ Stop de boor volledig, duw de draairichting-/snelheidskeuzeregelaar naar de gewenste draairichting en start de boor opnieuw.</li> <li>■ Neem contact op met de EGO-service voor reparatie.</li> </ul>

NL

## GARANTIE

### EGO-GARANTIEBELEID

Ga naar de website [egopowerplus.eu](http://egopowerplus.eu) voor de volledige algemene voorwaarden van het EGO-garantiebeleid.

## LÆS ALLE VEJLEDNINGERNE!



### LÆS BRUGSVEJLEDNINGEN

**⚠ ADVARSEL:** For at sikre sikkerhed og pålidelighed, bør alle reparationer udføres af en kvalificeret servicetekniker.

## SIKKERHEDSSYMBOL

Formålet med sikkerheds- symboler er at tiltrække din opmærksomhed på mulige farer. Du skal være meget opmærksom på sikkerhedssymbolerne og forklaringerne til dem og lære at forstå dem. Symbolernes advarsler fjerner ikke i sig selv eventuelle farer. De anvisninger og advarsler, de giver ingen erstatninger for ordentlig forebyggelse af ulykker foranstaltninger.

**DK**

**⚠ ADVARSEL:** Sørg for at læse og forstå alle sikkerhedsanvisninger i denne brugsanvisning, herunder alle sikkerhedssymboler, såsom "FARE", "ADVARSEL" og "FORSIGTIG", før du bruger dette værktøj. Hvis anvisningerne nedenfor ikke følges, kan det føre til elektrisk stød, brand og/eller alvorlig personskade.

## SIKKERHEDSANVISNINGER

Denne side viser og beskriver sikkerhedssymboler, der kan være på dette produkt. Læs, forstå og følg alle anvisninger på maskinen, før du forsøger at samle og betjene.



Sikkerhedsadvarsel



For at mindske risikoen for skader skal brugeren læse brugsanvisningen.



Wear Eye Protection



Brug høreværn



Elektriske affaldsprodukter må ikke bortskaffes sammen med husholdningsaffald. Tag det til en godkendt genbrugsplads.



Dette produkt er i overensstemmelse med gældende EU-direktiver.



Jævnstrøm (DC)



Dette produkt er i overensstemmelse med lovgivningen i Storbritannien.

V Spænding

kg Kg

°C Celsius

mm Millimeter

/min Omdrejninger per minut

IPX4 Beskyttelse mod vandsprøjt

## GENERELLE SIKKERHEDSADVARSLER TIL MASKINEN

**⚠ ADVARSEL:** Læs alle sikkerhedsadvarsler, instruktioner, billeder og specifikationer, der følger med denne maskine. Hvis anvisningerne nedenfor ikke følges, kan det føre til elektrisk stød, brand og/eller alvorlig personskade.

Gem alle advarsler og instruktioner til fremtidig reference.

### Sikkerhed på arbejdspladsen

- **Sørg for, at arbejdsområdet er rent og godt belyst.** Et rodet eller mørkt område kan føre til ulykker.
- **Maskinen må ikke bruges i en eksplosionsfarlig atmosfære, såsom i nærheden af brændbare væsker, gasser eller støv.** Maskinen danner gnister, der kan antænde støv eller dampe.
- **Hold børn og tilskuere på afstand, når en maskine er i brug.** Distractioner kan medføre, at du mister kontrollen.

### Sikkerhed omkring elektricitet

- **Maskinens stik skal passe til stikkontakten. Stikket må på ingen måde ændres. Brug ikke adapterstik med jordforbundne maskiner.** Uændrede stik, der passer til stikkontakterne, nedsætter risikoen for elektrisk stød.
- **Undgå kropskontakt med jordforbundne overflader, såsom rør, radiatorer, komfurer og køleskabe.** Der er øget risiko for elektrisk stød, hvis din krop er jordforbundet.
- **Maskinen må ikke udsættes for regn eller våde forhold.** Hvis vand trænger ind i maskinen, forøges risikoen for elektrisk stød.
- **Ledningen må ikke mishandles. Brug aldrig ledningen til at bære eller trække maskinen, eller til at trække stikket ud. Hold ledningen væk fra varme, olie, skarpe kanter og bevægelige dele.** Beskadigede eller sammenfiltrede ledninger, øger risikoen for elektrisk stød.
- **Hvis maskinen bruges udendørs, skal der bruges en forlængerledning, der er egnet til udendørs brug.** Brug af en egnet ledning til udendørs brug, reducerer risikoen for elektrisk stød.
- **Hvis en maskine skal bruges på et fugtigt sted, skal du bruge en strømforsyning med et fejlstrømsrelæ (GFCI).** Brug af et fejlstrømsrelæ, reduceres risikoen for elektrisk stød.

### Personlig sikkerhed

- **Vær forsigtig, hold øje med hvad du laver, og brug din sunde fornuft, når du bruger maskinen.** Maskinen må ikke bruges, hvis du er træt eller er påvirket af narkotika, alkohol eller medicin. Et øjeblikvis uopmærksomhed under brugen af maskinen kan føre til alvorlige personskader.
- **Brug personligt beskyttelsesudstyr. Brug altid beskyttelsesbriller. Værnemidler, såsom støvmaske, skridsikre sikkerhedssko, hjelm eller høreværn, der anvendes under passende betingelser, nedsætter risikoen for personskade.**
- **Forhindre utilsigtet start. Sørg for, at tænd/sluk-knappen er slukket, inden maskinen slutes til strømkilden eller batteripakken, samt inden den løftes op eller bæres rundt.** Undgå, at bære maskiner med fingeren på tænd/sluk-knappen eller strømforbundne maskiner, hvor tænd/sluk-knappen er tændt, da dette kan føre til ulykker.
- **Fjern indstillingsværktøj eller skruenøgler, før maskinen startes.** Hvis en skruenøgle eller en nøgle sidder i en drejende del på maskinen, kan den føre til personskader.
- **Undgå at række for langt frem.** Sørg altid for at stå ordentligt fast og i god balance. På denne måde får du bedre kontrol over maskinen i uventede situationer.
- **Brug passende tøj. Brug ikke løstsiddende tøj eller smykker. Hold hår og tøj fra bevægelige dele.** Løstsiddende tøj, smykker eller langt hår kan komme i klemme i bevægelige dele.
- **Hvis der monteres tilbehør til opsamling af støv eller andet, skal det sikres, at disse monteres og bruges korrekt.** Brug af støvindsamlingsenheder, kan reducere støv-relaterede risici.
- **Selvom du ofte bruger og har et godt kendskab til maskinen, må du ikke være overmodig eller glemme sikkerhedsprincipperne.** En uagtsom handling kan forårsage alvorlig skade i en brøkdal af et sekund.

### Brug og pleje af maskinen

- **Tving ikke maskinen. Brug den rigtige maskine til opgaven.** Den rigtige maskine gør arbejdet bedre og mere sikkert, da det er beregnet til formålet.
- **Maskinen må ikke bruges, hvis tænd/sluk-knappen ikke kan tænde og slukke.** En maskine, hvor tænd/sluk-knappen ikke dur, er farlig og skal repareres.
- **Træk stikket til maskinens strømforsyning ud af stikkontakten og/eller fjern batteripakken hvis dette er muligt, inden du foretager**

DK

**justeringer, skifter tilbehør eller lægger maskinen til opbevaring.** Sådanne forebyggende sikkerhedsforanstaltninger mindsker risikoen for, at maskinen startes ved et uheld.

- **Maskiner, der ikke bruges, skal holdes ude af børns rækkevidde.** Lad ikke personer, der ikke er bekendt med maskinen eller disse instruktioner, bruge maskinen. Maskinen er farligt i hænderne på brugere, der ikke ved, hvordan det skal bruges.
- **Vedligehold maskinen og tilbehøret. Kontrollér, at de bevægelige dele ikke er fejljusterede eller binder eller er i en tilstand, der kan påvirke maskinens drift. Hvis maskinen beskadiges, skal den repareres før brug.** Der sker mange ulykker på grund af dårligt vedligeholdte maskiner.
- **Skæremaskiner skal holdes skarpe og rene.** Skæremaskiner med skarpe kanter, der vedligeholdes ordentligt, er mindre tilbøjelige til at binde og er lettere at styre.
- **Maskinen, tilbehør og bits osv. skal bruges i overensstemmelse med disse instruktioner, hvor arbejdsforholdene og arbejdet, der skal udføres, skal tages i betragtning.** Maskinen må ikke bruges til andet end dens tiltænkte formål, da dette kan føre til en farlig situation.
- **Hold håndtag og gribeblader tørre, rene og fri for olie og fedt.** Glatte håndtag og glatte overflader, der holdes i, gør maskinen farligt at bruge i uventede situationer.

## Brug og pleje af den batteridrevne maskine

- **Genoplad kun med opladeren er angivet af fabrikanten.** Hvis en oplader, der er egnet til én slags batteri, bruges med en anden slags batteri, kan det føre til brand.
- **Brug kun maskiner med særligt udpegede batteripakker.** Brug af andre batterier kan skabe risiko for personskade og brand.
- **Når batteripakken ikke er i brug, skal den holdes væk fra andre metalgenstande som papirclips, mønter, nøgler, søm, skruer eller andre små metalgenstande, der kan skabe forbindelse fra en pol til en anden.** Shorting batteripolerne sammen kan forårsage forbrændinger eller brand.
- **Ved forkert anvendelse kan der slippe væske ud af batteriet: Undgå kontakt. Hvis det alligevel skulle ske, skal området skylles med vand. Hvis væsken kommer i øjnene, skal man søge læge.** Væske fra batteriet kan forårsage irritation eller forbrændinger.
- **Brug ikke et batteri eller en maskine, der er beskadiget eller modificeret.** Beskadigede eller

modificerede batterier kan opføre sig uforudsigeligt og forårsage brand, eksplosion eller risiko for personskade.

- **Udsæt ikke et batteri eller en maskine for ild eller for høj temperatur.** Udsættelse for ild eller temperaturer over 130°C kan forårsage eksplosion.
- **Følg alle anvisninger vedrørende opladning, og oplad ikke batteriet eller maskinen uden for temperaturområdet, der står i anvisningerne.** Forkert opladning eller temperaturer uden for det angivne område kan beskadige batteriet og øge risikoen for brand.

## Service

- **Få maskinen serviceret af en kvalificeret tekniker, og brug kun originale reservedele.** Dette vil sikre, at maskinen fortsat er sikker at bruge.
- **Udfør aldrig selv service på beskadigede batterier.** Service på batterier må kun udføres af producenten eller godkendte servicecentre.

## SIKKERHEDSADVARSLER TIL ISBOREMASKINEN

- **Skift jordboret, hvis det revner, bøjes eller beskadiget på nogen måde.** Hvis maskinen bruges med et beskadiget jordbor, kan det føre til alvorlige personskader.
- **Brug aldrig boremaskinen med håndtagene over taljen.** Dette giver dårligere kontrol over boremaskinen, hvilket kan føre til personskader.
- **Hold maskinen med begge hænder på håndtagene.** Manglende kontrol over værktøjet kan føre til personskader.
- **Maskinen må kun holdes på de isolerede gribeblader, hvis den bruges på steder, hvor det kan komme i kontakt med strømførende ledninger.** Hvis maskinen rammer en strømledende ledning, kan metaldelene på maskinen blive "strømledende", hvilket kan give brugeren elektrisk stød.
- **For at reducere risikoen for elektrisk stød, må boremaskinen aldrig bruges i nærheden af nedgravede elektriske strømkabler.** Kontakt med eller brug i nærheden af nedgravede strømledninger kan føre til alvorlige personskader eller livsfarlig elektrisk stød.
- **Start altid maskinen på en lav hastighed og med spidsen af boret i kontakt med jorden.** På højere hastigheder kan boret bøje, hvis det får lov til at dreje frit uden at komme i kontakt med jorden, hvilket kan

føre til personskader.

- **Påfør kun tryk i direkte linje med boret, og undgå at trykke for hårdt.** Bits kan bøje, som kan føre til beskadigelse eller tab af kontrol, hvilket kan føre til personskader.
- **Sørg altid for, at du har ordentligt fodfæste.** Sørg for, at der ikke er nogen personer under dig, når du bruger maskinen på høje steder.
- **Hold ordentligt fast i maskinen.**
- **Hold hænderne væk fra drejende dele.**
- **Maskinen må aldrig efterlades, når den kører. Maskinen må kun bruges, når den holdes i hånden.**
- **Undgå, at røre jordboret umiddelbart efter brug.** Det kan være meget varmt og du kan brænde dig på det.
- **Hvis der er noget galt med maskinen, f.eks. hvis den begynder at lyde unormal, skal du straks holde op med at bruge maskinen og kontakte dit lokale servicecenter for reparation.**
- **For at reducere risikoen for eksplosion, må boremaskinen aldrig bruges i nærheden af nedgravede gasledninger, herunder vandledninger og rør.** Kontakt med eller brug i nærheden af nedgravede vand- eller gasledninger, kan føre til sprængning af vandledninger eller eksplosion fra gasledninger, hvilket kan være livsfarligt eller føre til alvorlige personskader.
- **Jordboret må aldrig bruges på højere hastigheder end hvad det er beregnet til.** På højere hastigheder kan boret bøje, hvis det får lov til at dreje frit uden at komme i kontakt med arbejdsmønt, hvilket kan føre til personskader.
- **Batteridrevne maskiner behøver ikke at være tilsluttet en stikkontakt, og derfor er de altid driftsklar. Vær opmærksom på mulige farer, selv når maskinen ikke er i brug.** Vær forsigtig, når du udfører vedligeholdelse eller service.
- **Undlad at vaske med en slange; undgå at få vand i motor og elektriske forbindelser.**
- **Isklingerne er meget skarpe. Vær meget forsigtig, når du borer huller og skifter klingerne. Sæt klingebeskyttelsen på efter hver brug.**
- **Se regelmæssigt efter, om låseskruen er spændt ordentligt fast.**
- **Produktet må kun bruges med de angivne batteripakker og opladere.**

**Gem disse vejledninger.** Brug dem regelmæssigt, og brug dem til at instruere andre, der skal bruge denne maskine. Hvis du låner denne maskine ud til andre personer, skal disse vejledninger følge med, så produktet

ikke bruges forkert, hvilket kan føre til personskader.

## SPECIFIKATIONER

Jordbor/huldiameter	200 mm	
Maksimal boreddybde	990 mm	
Vægt (uden batteri)	3.7 kg	
Anbefalet driftstemperatur	-20°C - 40°C	
Anbefalet opbevaringstemperatur	-40°C - 70°C	
Lydeffektniveau $L_{WA}$	97.6 dB(A) K=3 dB(A)	
Lydtrykniveau $L_{PA}$	89.6 dB(A) K=3 dB(A)	
Vibration $a_h$	Højre håndtag	2.52 m/s <sup>2</sup> K=1.5 m/s <sup>2</sup>
	Venstre håndtag	2.45 m/s <sup>2</sup> K=1.5 m/s <sup>2</sup>

DK

- Den samlede erklærede vibrationsværdi er målt i overensstemmelse med en standard testmetode, og den kan bruges til at sammenligne en maskine med en anden.
- Den samlede angivne vibrationsværdi kan også bruges ved en foreløbig vurdering af eksponeringen.

**BEMÆRK:** Vibrationsemissionen ved faktisk brug af maskinen kan afvige fra den angivne værdi, hvor maskinen bruges. For at beskytte brugeren, skal brugeren bruge handsker og høreværn i de faktiske brugsforhold.

## ANBEFALET TILBEHØR

**⚠ ADVARSEL:** Brug kun tilbehøret, der er anført nedenfor. Hvis der bruges tilbehør, der ikke opfylder de oprindelige deles specifikationer, kan det påvirke apparatets ydeevne og sikkerheden.

NAVN PÅ DELEN	MODELNUMMER
Klinge til isboret	AB0800I

## LISTE OVER DELE I PAKKEN (FIG. A)

### BESKRIVELSE

#### GØR DIG BEKENDT MED DIN ISBOREMASKINE (fig. A)

1. Isboremaskine
2. Låseskrue
3. Sværdskærm
4. Isklinge
5. Unbrakonøgle (6 mm)

DK

### SAMLING

#### MONTERING AF ISBORET

**⚠ ADVARSEL:** Boret er meget skarp. For at undgå personskade, skal du være meget forsigtig, når du rengør boret og når det sættes på og tages af maskinen. Sørg altid for at bruge beskyttelseshandsker, når du udfører vedligeholdelsesarbejde på boremaskinen.

- 1 Løsn og fjern låseskruen på isboret.
- 2 Sæt den øverste ende af boret i drivakslen på motorhovedet (fig. B1).
- 3 Sørg for at forbindelseshullerne på boret og på drivakslen passer sammen.
- 4 Brug låseskruen til at spænde boret fast i drivakslen. Brug den medfølgende 6 mm unbrakonøgle til at spænde låseskruen ordentligt fast (fig. B2).

B1-1	Drivaksel	B1-2	Den øverste ende af isboret
B2-1	Drivaksel	B2-2	Låseskrue
B2-3	Flad side		

**BEMÆRK:** Sørg for, at låseskruen er sat i forbindelseshullerne på den flade side i hullet på boret.

### BETJENING

#### BRUG

Du kan bruge dette produkt til de formål, der er nævnt nedenfor:

- Boring af huller i is med isboremaskinen.

#### SÅDAN STARTES/STOPPES ISBOREMASKINEN

Se afsnittet "SÅDAN STARTES/STOPPES MOTORHOVEDET" i vejledningen til motorhovedet PHA7400E.

# 64

56V LITIUM-ION ISBOREMASKINE — ITA0800E

**BEMÆRK:** Brug beskyttelseshandsker, og tag beskyttelsen af isklingen, før du starter produktet.

#### SÅDAN BRUGES ISBOREMASKINEN

##### ⚠ ADVARSEL:

- Før maskinen tages i brug, skal du kontakte dit lokale forsyningselskab, så du ved hvor ledningerne befinder sig under jorden. På denne måde undgår du al kontakt med underjordiske ledninger.
- Isboremaskinen må ikke bruges til andet end det, den er beregnet til.
- Isboremaskinen må kun bruges til boring af huller i is.
- Undgå at grave i materialer, som muligvis kan indeholde skjulte søm eller andre genstande, der kan få boret til at binde eller knække.
- Vær opmærksom på kræfterne fra maskinens drejningsmoment. Hold altid driftspositionen, så du kan modstå kræfterne fra maskinens drejningsmoment.
- Vær meget forsigtig ved brug på skråninger, eller steder, hvor jorden er ujævn.

**BEMÆRK:** Før maskinen tages den i brug, skal du sørg for at de ikke sidder fremmedlegemer (sand, snavs og lignende) fast i åbningerne eller i de bevægelige dele.

- a. Sørg for at stå med fødderne solidt på arbejdsfladen, og stå med håndtagene tæt mod taljen. Hold ordentligt fast i højre håndtag med højre hånd og i venstre håndtag med venstre hånd (fig. C1).

C1-1	Højre håndtag	C1-2	Venstre håndtag
------	---------------	------	-----------------

**⚠ ADVARSEL:** Du må aldrig holde i højre håndtag med venstre hånd eller i venstre håndtag med højre hånd. Forkerte håndpositioner kan føre til alvorlige personskader (fig. C2).

**⚠ ADVARSEL:** Undgå, at stå forkert (fig. C3). Stå ikke for langt fra maskinen. Hvis så, kan du muligvis ikke reagere eller styre maskinen ordentligt i tilfælde af tilbageslag.

- b. Hold jordboret væk fra kroppen, og sørg for at det er rettet 90 ° nedad mod overfladen.
- c. Indstil drejeretningen og drejehastigheden.
- d. Løft maskinen over overfladen. Hold låseknappen nede og tryk på aftrækkeren.

**⚠ ADVARSEL:** Jordboret må ikke røres, når produktet er tændt.

- e. Sørg for at jordboret når op på fuld hastighed.
- f. Sænk jordboret ned i overfladen og hold det i en

vinkel på 90° (fig. C4). Lad jordboret bore sig ind i materialet, så maskinen gør arbejdet.

- g. Når jordboret fyldes med jord, skal det løbende ryddes så du får et rent snit og så motoren belastes mindre. Træk langsomt boret ud af hullet, når maskinen kører med fuld hastighed, og lad jorden løbe af boret.
- h. Når du er færdig, skal du slippe aftrækkeren og lade boret stoppe helt.
- i. Hvis maskinen efterlades, hvis du f.eks. skal have en pause, må du ikke lade maskinen stå i isen eller læne den op ad en væg. Sæt klingebeskyttelsen på isboret, og opbevar maskinen i en stabil position.

### TIP TIL BRUG AF ISBOREMASKINEN

- Maskinen borer ikke hurtigere, selvom du trykker hårdere på den. Hvis du trykker for hårdt på maskinen, ødelægges spidsen af boret, hvilket gør maskinen mindre effektiv og det forkorter dens levetid.
- Hvis du borer et dybt hul eller borer i lerjord, skal hullet graves over flere omgange. Grav hullet ved at løfte maskinen op og ned, så jorden i hullet løsnes og løbende fjernes fra hullet.
- Hvis maskinens drejhastighed sænkes på grund af overbelastning, skal du løfte maskinen lidt op og derefter rykke maskinen op og ned, så hullet bores i små trin.
- En fastklemt bor kan tage ud ved at sætte boremaskinen i bakgear. Når du køre bagud, skal du støtte maskinen mod kroppen, så du undgår tilbageslag med uret.
- Før isboremaskinen bruges på frosne damme, søer eller vandløb, skal du kontakte de lokale myndigheder og tage alle nødvendige forholdsregler i brug, så du er sikker på at isen er tyk nok.
- Når isboret trækkes ud af hullet, skal du løfte maskinen lodret op, så boret kommer lige ud af hullet, uden at hælde. For at minimere sprøjt, når du borer huller i isen, skal du slippe aftrækkeren med det samme, når isboret bryder gennem isen. Løft langsomt maskinen op. Dæk borehullerne til, og marker dem tydeligt, så ingen falder ned i hullerne.

### VEDLIGEHOLDELSE

**⚠ ADVARSEL:** For at undgå alvorlig personskade, skal du tage batteripakken ud af produktet før service, rengøring, udskiftning af tilbehør, og før der fjernes noget fra apparatet.

### GENEREL VEDLIGEHOLDELSE

- Undgå, at bruge opløsningsmidler til rengøring af plastdele. De fleste plastmaterialer risikerer at blive ødelagt, ved brug af forskellige slags alment tilgængelige opløsningsmidler. Brug rene klude til at fjerne snavs, støv, olie, fedt, osv.

**⚠ ADVARSEL:** Lad aldrig bremsevæske, benzin, oliebaseerede produkter, indtrængende olier osv. komme i kontakt med dele af plastic. Kemikalier kan beskadige, svække og ødelægge plastic, hvilket kan føre til alvorlige personskader.

### UDSKIFTNING AF ISKLINGERNE

- Hvis isboret hopper på isen eller skærer langsomt gennem isen, når der bores, skal isklingerne muligvis skiftes.
  - Nødvendigt værktøj: 6 mm unbrakonøgle (medfølger), 3 mm unbrakonøgle (medfølger ikke)
1. Tag batteripakken ud af isboremaskinen, og tag isboret ud af drivakslen på motorhovedet. Dette gøres ved at løsne og fjerne låseskruen med en 6 mm unbrakonøgle.
  2. Brug beskyttelseshandsker, og tag beskyttelsen af isklingen (fig. D1).
  3. Løsn skrueene og isklingerne på isboret med en 3 mm unbrakonøgle og tag dem af (Fig. D2).
  4. Skift med nye klinger, og spænd dem ordentligt fast.
  5. Sådan sættes klingebeskyttelsen på.

D1-1	Sværdskærm	D1-2	Isklinge
D2-1	Skrue	D2-2	Isklinge

### OPBEVARING AF ISBOREMASKINEN

1. Fjern batteripakken.
2. Tag boret ud af drivakslen på motorhovedet.
3. Rengør boremaskinen grundigt, før det gemmes væk.
4. Sæt klingebeskyttelsen på isboret.
5. Boremaskinen skal opbevares på et tørt og ordentligt ventileret sted, der enter er låst højt oppe, så den er utilgængeligt for børn. Boremaskinen må ikke opbevares på eller ved siden af kunstgødning, benzin eller andre kemikalier.

DK

# EGO

---

## Beskyttelse af miljøet



Elektrisk udstyr, batterioplader og batterier må ikke smides ud sammen med almindelig husholdningsaffald! Tag dette produkt til en autoriseret genbrugsplads, og sørg for at det sendes til genbrug.



Elektriske værktøjer skal bortskaffe på en genbrugsplads.

DK

**KEES VAN DER SPEK**  
TUIN EN PARKMACHINES ★ TER AAR

## FEJLFINDING

PROBLEM	ÅRSAG	LØSNING
Maskinen starter ikke eller den stopper uventet.	<ul style="list-style-type: none"> <li>■ Lav strøm på batteriet.</li> <li>■ Batteriet er overophedet eller for koldt.</li> <li>■ Kablet til højre håndtag er ikke ordentligt forbundet med kablet til motorhovedet.</li> </ul>	<ul style="list-style-type: none"> <li>■ Oplad batteripakken.</li> <li>■ Vent indtil batteriet har kølet ned eller varmet op, hvorefter boremaskinen kan startes igen.</li> <li>■ Forbind kablerne til højre håndtag og motorhovedet, som beskrevet i afsnittet "<b>MONTERING AF HÅNDTAGENE</b>" i brugsvejledningen til motorhovedet PHA7400E.</li> </ul>
Isboret hopper på isen eller skærer langsomt gennem isen.	<ul style="list-style-type: none"> <li>■ Nogen af delene er løse.</li> </ul>	<ul style="list-style-type: none"> <li>■ Stop boremaskinen, tag batteripakken ud og se om der er eventuelle løse dele. Spænd eventuelle løse dele.</li> </ul>
Borets drejeretning eller hastighed er ikke indstillet ordentligt på maskinen, når knappen til drejeretningen/hastigheden bruges.	<ul style="list-style-type: none"> <li>■ Boret sidder løst.</li> </ul>	<ul style="list-style-type: none"> <li>■ Sæt boret i maskinen igen, som beskrevet i afsnittet "<b>MONTERING AF ISBORET</b>" i denne vejledning.</li> </ul>
Ice auger jumps on the ice or cuts slowly through the ice.	<ul style="list-style-type: none"> <li>■ Klingerne er sløve eller beskadigede.</li> </ul>	<ul style="list-style-type: none"> <li>■ Skift med nye klinger, som beskrevet i afsnittet "<b>SÅDAN SKIFTES ISKLINGERNE</b>" i denne brugsvejledning.</li> </ul>
The auger rotation direction or speed is not switched after pushing the rotation direction/speed selector.	<ul style="list-style-type: none"> <li>■ Det er kun muligt at skifte drejeretning, når boremaskinen ikke kører.</li> <li>■ Andre ikke-fundne årsager.</li> </ul>	<ul style="list-style-type: none"> <li>■ Stop boremaskinen helt, sæt knappen til valg af drejeretningen/hastigheden på den ønskede indstilling, og start derefter boremaskinen igen.</li> <li>■ Kontakt EGO service for reparation.</li> </ul>

DK

## GARANTI

### EGO GARANTI POLITIK

Besøg venligst hjemmesiden [egopowerplus.eu](http://egopowerplus.eu) for fuldstændige vilkår og betingelser for EGO's garantipolitik.

## LÄS IGENOM ALLA INSTRUKTIONER!



### LÄS IGENOM BRUKSANVISNINGEN

**⚠ WARNING:** För att garantera en säker och pålitlig användning måste alla reparationer utföras av en kvalificerad servicetekniker.

## SÄKERHETSSYMBOL

Syftet med säkerhetssymboler är att uppmärksamma eventuella faror. Säkerhetssymbolerna och förklaringarna av dessa kräver din fullständiga uppmärksamhet och förståelse. Symbolvarningarna i sig eliminerar inte några faror. Instruktionerna och varningarna som ges är inte något substitut för korrekta åtgärder för förhindrande av olyckor.

**⚠ WARNING:** Var noga med att läsa igenom och förstå alla säkerhetsinstruktioner i denna bruksanvisning, inklusive alla varningssymboler såsom "**FARA**", "**WARNING**" och "**FÖRSIKTIGHET**" innan detta verktyg används. Underlåtenhet att läsa alla instruktioner som listas nedan kan resultera i elektrisk stöt, brand och/eller allvarig personskada.

**SE**

## SÄKERHETSINSTRUKTIONER

Denna sida framställer och beskriver säkerhetssymboler som kan visas på denna produkt. Läs igenom, förstå och följ alla instruktioner på maskinen innan försök görs att montera och hantera den.



Säkerhetslarm



För att minska risken för skador måste användaren läsa bruksanvisningen.



Använd ögonskydd



Använd hörselskydd



Förbrukade elektriska produkter får inte kastas i hushållssoporna. Lämna in dem till en auktoriserad återvinning.



Denna produkt är i enlighet med gällande EG-direktiv.



Likström



Denna produkt uppfyller tillämpliga lagar i Storbritannien.

V Spänning

kg Kilogram

°C Celsius

mm Millimeter

/min Varv per minut

IPX4 Skydd mot stänkande vatten

## ALLMÄNNA VARNINGAR FÖR MASKINSÄKERHET

**⚠️ VARNING:** Läs igenom alla säkerhetsvarningar, instruktioner, illustrationer och specifikationer som medföljer denna maskin. Underlåtenhet att följa alla instruktioner som listas nedan kan resultera i elektriska stötar, brand och/eller allvarliga personskador.

**Spara alla varningar och instruktioner för framtida referens.**

### Arbetsplats säkerhet

- **Håll arbetsområdet rent och ordentligt upplyst.** Belamrade eller mörka områden inbjuder till olyckor.
- **Använd inte maskiner i explosiva miljöer som t.ex. i närvaron av brandfarliga vätskor, gaser eller damm.** Maskiner skapar gnistor som kan antända damm eller ångor.
- **Håll barn och åskådare borta medan maskinen arbetar.** Störningarna kan göra att du tappar kontrollen.

### Elektrisk säkerhet

- **Maskinens stickkontakt måste matcha uttaget. Modifiera aldrig kontakten på något sätt. Använd inte någon adapterkontakt med motordrivna verktyg som är jordade.** Stickkontakter som inte modifierats och passar i eluttaget minskar risken för elektriska stötar.
- **Undvik kroppskontakt med jordanslutna eller jordade ytor såsom rör, värmeelement, spisar och kylskåp.** Det finns en ökad risk för elektrisk stöt om din kropp är jordansluten eller jordad.
- **Utsätt inte maskiner för regn eller våta förhållanden.** Om vatten tränger in i en maskin ökar risken för elektriska stötar.
- **Vanvärda inte kabeln. Använd aldrig kabeln för att bära, släpa eller för att koppla ur maskinen. Håll kabeln borta från värme, olja, skarpa kanter och rörliga delar.** Skadade eller tilltrasslade sladdar ökar risken för elektrisk stöt.
- **Vid användning av en maskin utomhus, använd en förlängningskabel som är avsedd för utomhusbruk.** Användning av en sladd som passar för utomhusanvändning minskar risken för elektrisk stöt.
- **Om arbete med en maskin i en fuktig lokal är oundvikligt, använd ett uttag som är skyddat med jordfelsbrytare.** Användning av en jordfelsbrytare minskar risken för elektriska stötar.

### Personlig säkerhet

- **Var uppmärksam och observant samt använd sunt förnuft när du använder en maskin. Använd inte en maskin om du är trött eller under påverkan av droger, alkohol eller medicin.** Ett ögonblicks uppmärksamhet vid användning av maskiner kan leda till allvarliga personskador
- **Använd personlig skyddsutrustning. Använd alltid skyddsglasögon. Minska risken för personskador genom att använda skyddsutrustning som t.ex. ansiktsmask, halkfria skyddsskor, hjälm och hörselskydd.**
- **Förebygg oavsiktlig start. Se till att strömbrytaren är i främläge innan du ansluter till strömkällan och/eller batteripaketet, plockar upp eller bär verktyget.** Att bära maskiner med fingret på strömbrytaren eller strömsatta maskiner som har strömbrytaren påslagen inbjuder till olyckor.
- **Ta bort inställningsnycklar eller skiftnycklar innan maskinen slås på.** En skiftnyckel eller en nyckel som sitter kvar på en roterande del av maskinen kan resultera i personskada.
- **Sträck dig inte för långt.** Ha ordentligt fotfäste och balans hela tiden. Detta möjliggör bättre kontroll av maskinen i oväntade situationer.
- **Klä dig på lämpligt sätt. Använd inte löst sittande kläder eller smycken. Håll hår och klädsel på avstånd från de rörliga delarna.** Löst sittande kläder, smycken och långt hår kan fastna i de rörliga delarna.
- **Om enheter har anslutning för dammuppsamlare och anslutningsmöjligheter, se till att de är anslutna och används på korrekt sätt.** Användning av dammuppsamlare kan minska dammrelaterade faror.
- **Låt inte vana efter regelbunden användning av apparaten göra att du blir självsäker och ignorerar verktygets säkerhetsprinciper.** En vårdslös handling kan orsaka allvarliga personskador inom bråkdelen av en sekund.

SE

### Maskinanvändning och skötsel

- **Tvinga inte maskinen. Använd rätt maskin för ditt arbete.** En korrekt maskin utför jobbet bättre och säkrare med den hastighet som den designats för.
- **Använd inte maskinen om strömbrytaren inte kan slås på eller stängas av.** Alla maskiner som inte kan kontrolleras med strömbrytaren är farliga och måste repareras.
- **Koppla ur kontakten från strömkällan och/eller ta bort batteripaketet, om det är löstagbart, från**

**maskinen innan du utför justeringar, byter tillbehör eller förvarar maskiner.** Dessa förebyggande säkerhetsåtgärder minskar risken för att elverktyget startas oavsiktligt.

- **Förvara maskiner som går på tomgång utom räckhåll för barn och låt inte personer som är ovana med apparaten eller dessa instruktioner använda maskinen.** Maskiner är farliga i händerna på utbildade användare.
- **Underhålla maskiner och tillbehör. Kontrollera efter felinställning eller kärvande rörliga delar, brott på delar och alla andra tillstånd som kan påverka funktionen hos maskinen. Om maskinen är skadad ska den repareras före användning.** Många olyckor beror på dåligt underhållna maskiner.
- **Håll kapmaskiner vassa och rena.** Ordentligt underhållna kapmaskiner med vassa sågkanter är mindre sannolika att fastna och är lättare att kontrollera.
- **Använd maskinen, tillbehör, verktygsbits osv. i enlighet med dessa instruktioner och ta hänsyn till arbetsförhållanden och det arbete som ska utföras.** Om maskinen används för andra arbeten än det är avsett för kan det resultera i farliga situationer.
- **Håll handtagen och greppytorna torra, rena och fria från olja och fett.** Hala handtag och greppytor förhindrar säker hantering och kontroll av maskinen vid oväntade situationer.

## Användning och skötsel av batteridriven maskin

- **Ladda endast med den laddare som rekommenderas av tillverkaren.** En laddare som är lämplig för en typ av batteripaket kan skapa en risk för brand när den används med ett annat batteripaket.
- **Använd endast maskiner med specifikt designade batteripaket.** Användning av andra batteripaket kan medföra risk för personskador och eld.
- **När batteripaketet inte används, håll det borta från metallobjekt som t.ex. pappersgem, mynt, nycklar, spikar, skruvar och andra små metallobjekt som kan bilda en anslutning från en batterikontakt till den andra. Kortslutning av batteriets terminaler kan orsaka brännskador eller en brand.**
- **Under olämpliga förhållanden kan vätska spruta ut från batteriet. Undvik kontakt. Vid oavsiktlig kontakt, spola med vatten. Om vätskan kommer i kontakt med ögonen, sök också läkarhjälp.** Vätska som sprutar ur batteriet kan orsaka sveda och brännskador.
- **Använd inte ett batteripaket eller maskin som skadats eller modifierats.** Skadade eller modifierade

batterier kan leda till oförutsägbart uppträdande som leder till brand, explosion eller risk för personskador.

- **Utsätt inte batteripaketet eller maskinen för eld eller extrema temperaturer.** Exponering av eld eller temperaturer över 130 °C kan orsaka explosion.
  - **Följ alla laddningsinstruktioner och ladda inte batteripaketet eller maskinen utanför det temperaturområde som anges i instruktionerna.** Felaktig laddning eller vid temperaturer utanför angivet temperaturområde kan skada batteriet och ökar risken för brand.
- ### Service
- **Lämna in din maskin för service hos en kvalificerad servicetekniker som endast använder identiska utbytesdelar.** Det säkerställer att maskinens säkerhet bibehålls.
  - **Utför aldrig service på skadade batteripaket.** Service av batteripaket bör endast utföras av tillverkaren eller auktoriserade serviceverkstäder.

## SÄKERHETSVARNINGAR FÖR ISSKRUVAR

- **Byt ut skruvarna om de är spruckna, böjda eller skadade på något sätt.** Användning av maskinen med en skadad skruv kan resultera i allvarliga skador.
- **Använd aldrig skruven med handtagen över midjenivån.** Detta begränsar kontrollen över skruven och kan öka risken för skador.
- **Håll maskinen med båda händerna vid de avsedda handtagen.** Förlorad kontroll kan leda till personskador.
- **Håll endast elverktyget i de isolerade greppytorna när arbete utförs där sågtillebehöret kan komma i kontakt med dolda elledning.** Skruvar som kommer i kontakt med en strömförande ledning kan göra att exponerade metalldelar hos elverktyget blir strömförande och kan ge användaren en elektrisk stöt.
- **För att minska risken för dödsfall via elektricitet, använd aldrig skruven nära elektriska ledningar.** Kontakt med eller användning nära nedgrävda elkablar kan orsaka allvarliga skador eller elektriska stötar som leder till dödsfall.
- **Börja alltid borra med låg hastighet och låt kronans spets vara i kontakt med marken.** Vid högre hastigheter kommer kronan sannolikt att böjas om den får rotera fritt utan att komma i kontakt med marken, vilket leder till personskada.
- **Tillför endast tryck i direkt linje med kronan och använd inte ett alltför stort tryck.** Kronor kan böjas

och orsaka brott eller förlust av kontroll, vilket kan resultera i personskada.

- **Var alltid säker på att du har ett stadigt fotfäste.**  
Se till att ingen är under när du använder maskinen på höga platser.
- **Håll maskinen stadigt.**
- **Håll händerna borta från roterande delar.**
- **Lämna inte maskinen igång. Använd endast maskinen handhållen.**
- **Rör inte vid skruven direkt efter användning.** Det kan vara extremt varmt och kan bränna din hud.
- **Om något är fel med maskinen, till exempel onormala ljud, sluta omedelbart att fungera och kontakta ditt lokala servicecenter för reparation.**
- **För att minska risken för explosion, använd aldrig skruven nära nedgrävda gasledningar, inklusive vattenledningar och rör.** Kontakt med eller användning nära nedgrävda vatten- eller gasledningar kan resultera i att vattenledningar sprängs och explosioner från gasledningar, vilket kan orsaka allvarliga skador eller dödsfall.
- **Använd aldrig en högre hastighet än skruvens maximala hastighet.** Vid högre hastigheter kommer kronan sannolikt att böjas om den får rotera fritt utan att komma i kontakt med arbetsstycket, vilket leder till personskada.
- **Batteridrivna maskiner behöver inte vara anslutna till ett eluttag och är därför alltid redo för användning. Var medveten om eventuella faror även när verktyget inte är igång.** Var försiktig när du utför underhåll eller service.
- **Tvätta inte av den med en slang; låt inte vatten tränga in i motorn och de elektriska anslutningarna.**
- **Isbladen är mycket vassa. Var extremt försiktig när du borrar ett hål eller byter ut bladen. Sätt på bladskyddet efter varje användning.**
- **Kontrollera ofta och se till att låsskruven är säkrad på plats.**
- **Får endast användas med specificerade batteripaket och laddare.**

**Spara dessa instruktioner.** Läs igenom dem regelbundet och använd dem för att instruera andra som kan komma att använda denna maskin. Om du lånar ut denna maskin till någon, se även till att låna ut dessa instruktioner för att förhindra felaktig användning och eventuella personskador.

## SPECIFIKATIONER

Skruvbit/håldiameter	200 mm	
Maximalt borr djup	990 mm	
Vikt (utan batteripaket)	3.7 kg	
Rekommenderad drifttemperatur	-20°C - 40°C	
Rekommenderad förvaringstemperatur	-40°C - 70°C	
Ljudeffektnivå $L_{WA}$	97.6 dB(A) K=3 dB(A)	
Ljudtrycksnivå $L_{PA}$	89.6 dB(A) K=3 dB(A)	
Vibration $a_h$	Höger handtag	2.52 m/s <sup>2</sup> K=1.5 m/s <sup>2</sup>
	Vänster handtag	2.45 m/s <sup>2</sup> K=1.5 m/s <sup>2</sup>

SE

- Det deklarerade totala vibrationsvärdet har uppmätts i enlighet med en standardtestmetod och kan användas för att jämföra ett verktyg med ett annat.
- Det deklarerade totala vibrationsvärdet kan också användas i en preliminär utvärdering av exponeringen.

**UPPMÄRKSAMMA:** Vibrationsutstrålningen under verklig användning av elverktyg kan skilja sig från det deklarerade värdet i vilken verktyget används. För att skydda användaren skall skyddshandskar och hörselskydd användas under faktiska användningsförhållandet.

## REKOMMENDERADE TILLBEHÖR

**⚠ VARNING:** Använd endast tillbehör som listas nedan. Användning av delar som inte uppfyller originaldelarnas specifikationer kan leda till felaktig prestanda och riskera säkerheten.

ARTIKELNAMN	MODELLNUMMER
Isborrbitsblad	AB0800I

## PACKLISTA (BILD A)

## BESKRIVNING

### LÄR KÄNNA DIN ISBORR (bild A)

1. Isborr
2. Låsskruv
3. Bladskydd
4. Isblad
5. Insexnyckel (6 mm)

## MONTERING

SE

### INSTALLATION AV ISSKRUBBIT

**⚠ VARNING:** Skruven är mycket vass. För att förhindra personskador, iaktta extrem försiktighet när du rengör, installerar eller tar bort borrhskruven. Använd alltid skyddshandskar när du utför underhåll på produktens skruv.

- 1 Lossa och ta bort låsskruven från isborrskruven.
- 2 Montera den övre änden av skruvborren på drivaxeln på motorenheten (bild B1).
- 3 Rikta in anslutningshålen på skruvborren och drivaxeln.
- 4 Använd låsskruven för att fästa skruven på drivaxeln. Använd den medföljande 6 mm insexnyckeln för att dra åt låsskruven ordentligt (bild B2).

B1-1	Drivaxel	B1-2	Övre änden av isskrubbiten
B2-1	Drivaxel	B2-2	Låsskruv
B2-3	Platt sida		

**UPPMÄRKSAMMA:** Se till att låsskruven är insatt i anslutningshålen från den plana sidan av borrhskruvens hål.

## DRIFT

### ANVÄNDNING

Du kan använda denna produkt för de tillämpningar som listas nedan:

- Borra hål i is med hjälp av isborrkronan.

### STARTA/STOPPA ISSKRUVEN

Se "STARTA/STOPPA MOTORENHETEN" i

bruksanvisningen för motorenhet PHA7400E.

**UPPMÄRKSAMMA:** Bär skyddshandskar och ta bort isbladsskyddet innan du startar produkten.

### ARBETA MED ISSKRUVEN

#### ⚠ VARNING:

- Kontakta det lokala företaget för underjordisk servicemärkning innan du använder maskinen för att undvika kontakt med underjordiska verktyg.
- Använd inte isborren för något annat än dess avsedda ändamål.
- Använd isborren för att endast borra hål i is.
- Undvik att gräva i material som du misstänker innehåller dolda spikar eller annat som kan få borrhskruven att binda eller gå sönder.
- Var uppmärksam på maskinens vridmomentreaktionskraft. Behåll alltid det arbetsläge att du kan motstå vridmomentets reaktionskraft.
- Var extremt försiktigt vid arbete i slutningar eller ojämn mark.

**UPPMÄRKSAMMA:** Kontrollera före användning att inga främmande föremål (sand, smuts etc.) har fastnat i öppningarna eller rörliga delar.

- a. Se till att fötterna är ordentligt planterade ovanför arbetsytan och stå med handtagen nära midjan. Håll stadigt i det högra handtaget med höger hand och det vänstra handtaget med vänster hand (bild C1).

C1-1	Höger handtag	C1-2	Vänster handtag
------	---------------	------	-----------------

**⚠ VARNING:** Håll aldrig höger handtag med vänster hand och vänster handtag med höger hand. Felaktiga handpositioner kan leda till allvarliga skador (bild C2).

**⚠ VARNING:** Undvik felaktig positionering (bild C3). Stå inte för långt från maskinen. Korrekt reaktion och kontroll kanske inte uppnås vid rekyl.

- b. Håll skruven borta från kroppen och skruven pekar nedåt i en 90° vinkel mot ytan.
- c. Ställ in rotationsriktningen och rotationshastigheten.
- d. Lyft maskinen över ytan. Tryck ned låsknappen först, tryck sedan in avtryckaren för att starta.

**⚠ VARNING:** Rör inte skruven när produkten är påslagen.

- e. Låt skruven få full fart.
- f. Sänk skruvborren i ytan och bibehåll 90°-vinkeln (bild C4). Låt borrhskruven bita i materialet och låt maskinen göra jobbet.

- g. När skruvborren börjar fyllas med skräp är det viktigt att ständigt rensa den för att producera ett rent snitt och minska mängden ansträngning som krävs - medan skruven arbetar med full hastighet, lyft den långsamt från hålet och låt skräpet rensas från skruvborret.
- h. Efter att maskinen använts, släpp avtryckaren och låt skruven stanna helt.
- i. När du lämnar maskinen, till exempel under en paus, ska du inte lämna maskinen insatt i isen eller luta den mot en vägg. Montera bladskyddet på isskruven och förvara maskinen i ett stabilt läge.

#### TIPS VID ANVÄNDNING AV ISSKRUVEN

- Att trycka för hårt på maskinen kommer inte att påskynda grävningen. Överdrivet tryck kommer bara att skada spetsen på borskraven, minska maskinens prestanda och förkorta maskinens livslängd.
- När du borrar ett djupt hål eller borrar i lerjord, försök inte gräva på en gång. Gräv hålet genom att lyfta maskinen upp och ner så att den lösa jorden i hålet kan tömmas.
- Om maskinens rotationshastighet saktar ner på grund av hög belastning, lyft upp maskinen lite och flytta maskinen upp och ner för att borra i små steg.
- En skruvborr som fastnat kan enkelt tas bort genom att ställa in skruven i omvänd rotation för att backa ut. När du backar, spänn maskinen mot kroppen för att förhindra en reaktion medurs.
- Innan du arbetar med en isborrbit på frusna dammar, sjöar eller ångor, kontrollera med lokala myndigheter och vidta alla nödvändiga försiktighetsåtgärder för att säkerställa säker istjocklek.
- När du tar isborrbiten ur hålet, lyft maskinen vertikalt så att biten kommer ut rakt utan att luta. För att minimera stänk när du borrar ishål, släpp avtryckaren omedelbart när isborrkronan bryter igenom isen. Lyft maskinen långsamt. Täck och markera borrhål tydligt för att förhindra att någon kliver i ett hål.

## UNDERHÅLL

**⚠ VARNING:** För att förhindra allvarliga personskador ska du ta ut batteripaketet före service, rengöring, ändring av tillbehör eller borttagning av material från enheten.

#### ALLMÄNT UNDERHÅLL

- Använd inte lösningsmedel när du rengör plastdelarna. De flesta plaster är känsliga för skador från olika typer av kommersiella lösningsmedel och kan skadas av dess användning. Använd en ren trasa för att ta bort

smuts, damm, olja, fett osv.

**⚠ VARNING:** Låt aldrig bromsvätska, bensin, petroleumbaserade produkter, smörjfett osv. komma i kontakt med plastdelarna. Kemikalier kan skada, försvaga eller förstöra plast, vilket kan resultera i allvarliga personskador.

#### BYTE AV ISBLADEN

- Om isborren hoppar på isen eller skär långsamt genom isen när man borrar ishål, kan isbladen behöva bytas ut.
  - Nödvändiga verktyg: 6 mm insexnyckel (medföljer), 3 mm insexnyckel (medföljer ej)
1. Ta bort batteripaketet från skruven och ta bort isborrbiten från drivaxeln på motorenheten genom att använda 6 mm insexnyckeln för att lossa och ta bort låsskruven.
  2. Bär skyddshandskar och ta bort isbladskyddet (bild D1).
  3. Använd 3 mm insexnyckeln, lossa och ta bort skruvarna och isbladen från isborrskruven (Bild D2)
  4. Byt ut mot nya blad och dra åt dem ordentligt.
  5. För att installera bladskyddet.

SE

D1-1	Bladskydd	D1-2	Isblad
D2-1	Skruv	D2-2	Isblad

#### FÖRVARING AV ISSKRUVEN

1. Ta ut batteripaketet.
2. Ta bort skruvbiten från drivaxeln på motorenheten.
3. Rengör verktyget noga innan förvaring.
4. Montera bladskyddet på isborrkronan.
5. Förvara enheten på en torr, välventilerad plats, inlåst eller högt upp, utom räckhåll för barn. Förvara inte enheten på eller i anslutning till gödningsmedel, bensin eller andra kemikalier.

#### Skydda miljön



Kasta inte elektrisk utrustning, använt batteri och laddare i hushållssoporna! Ta denna produkt till en auktoriserad återvinnare och gör den tillgänglig för separat insamling. Elektriska verktyg måste returneras till en miljöanpassad återvinningsanläggning.

## FELSÖKNING

PROBLEM	ORSAK	LÖSNING
Maskinen startar inte eller stannar oväntat.	<ul style="list-style-type: none"> <li>■ Batteripaketets kapacitet är slut.</li> <li>■ Batteriet är överhettat eller för kallt.</li> <li>■ Den högra handtagskabeln är inte korrekt ansluten till motorenhetens kabel.</li> </ul>	<ul style="list-style-type: none"> <li>■ Ladda batteripaketet.</li> <li>■ Vänta tills batteripaketet har svalnat eller värmts upp, varvid skruven kan startas igen.</li> <li>■ Anslut kablarna till det högra handtaget och krafthuvudet enligt avsnittet "<b>INSTALLERA HANDTAGEN</b>" i bruksanvisningen för krafthuvudet PHA7400E.</li> </ul>
SE Isborren hoppar på isen eller skär långsamt genom isen.	<ul style="list-style-type: none"> <li>■ Vissa delar är lösa.</li> </ul>	<ul style="list-style-type: none"> <li>■ Stoppa skruven, ta bort batteripaketet, kontrollera och dra åt lösa delar.</li> </ul>
Skruvens rotationsriktning eller hastighet ändras inte efter att man tryckt på rotationsriktnings-/hastighetsväljaren.	<ul style="list-style-type: none"> <li>■ Lös skruvbit.</li> </ul>	<ul style="list-style-type: none"> <li>■ Sätt tillbaka borrarskruven genom att följa avsnittet "<b>INSTALLATION AV ISSKRUVEN</b>" i denna handbok.</li> </ul>
Ice auger jumps on the ice or cuts slowly through the ice.	<ul style="list-style-type: none"> <li>■ Bladen är slöa eller skadade.</li> </ul>	<ul style="list-style-type: none"> <li>■ Byt ut mot nya blad enligt avsnittet "<b>BYTA ISBLADEN</b>" i denna bruksanvisning.</li> </ul>
The auger rotation direction or speed is not switched after pushing the rotation direction/speed selector.	<ul style="list-style-type: none"> <li>■ Växling av rotationsriktning mellan framåt och bakåt är endast möjligt när skruven är stoppad.</li> <li>■ Andra oidentifierade orsaker.</li> </ul>	<ul style="list-style-type: none"> <li>■ Stoppa skruven helt, skjut in rotationsriktnings-/hastighetsväljaren till önskad rotation och starta sedan skruven igen.</li> <li>■ Kontakta EGO service för reparation.</li> </ul>

## GARANTI

### EGO GARANTYPOLICY

Besök webbsidan [egopowerplus.eu](http://egopowerplus.eu) för fullständiga villkor för EGO garantipolicy.

## LUE KAIKKI OHJEET!



### LUE KÄYTTÖOPAS

**VAROITUS:** Pätevän huoltoteknikon tulee suorittaa kaikki korjaukset, jotta voidaan taata tuotteen turvallinen ja luotettava käyttö.

## TURVALLISUUSYMBOLI

Turvallisuussymbolien tarkoituksena on kiinnittää huomiota mahdollisiin vaaroihin. Turvallisuussymbolit ja niiden selitykset on syytä lukea tarkkaan ja ymmärtää perusteellisesti. Varoitussymbolit eivät yksin poista vaaran mahdollisuutta. Niiden antamat ohjeet ja varoitukset eivät korvaa kunnollisia onnettomuuksien ehkäisytimenpiteitä.

**VAROITUS:** Lue ja ymmärrä tämän käyttöoppaan kaikki turvallisuusohjeet, mukaan lukien turvallisuusvaroitussymbolit, kuten "VAARA", "VAROITUS" ja "HUOMIO" ennen laitteen käyttämistä. Alla olevien ohjeiden noudattamatta jättäminen saattaa aiheuttaa sähköiskun, tulipalon ja/tai vakavan henkilövahingon.

FI

## TURVALLISUUSOHJEET

Tällä sivulla kuvataan ja esitellään turvallisuussymbolit, jotka saattavat esiintyä tässä tuotteessa. Lue, ymmärrä ja noudata kaikkia laitteen ohjeita ennen kuin yrität koota sen tai käyttää sitä.



Turvallisuushälytys



Käyttäjän on luettava käyttöopas loukkaantumisvaaran vähentämiseksi.



Käytä silmäsuojaimia



Käytä kuulosuojaimia



Vanhoja sähkölaitteita ei saa hävittää kotitalousjätteen mukana. Vie valtuutettuun kierrätyslaitokseen.



Tämä tuote vastaa sovellettavia EU-direktiivejä.



Tasavirta



Tämä tuote vastaa sovellettavaa UK-lainsäädäntöä.

V Jännite

kg Kilogramma

°C Celsius

mm Millimetri

/min Kierrosta minuutissa

IPX4 Suojaus vesiroiskeilta

## YLEISET KONEEN TURVALLISUUSVAROITUKSET

**VAROITUS:** Lue kaikki tämän koneen mukana tulleet turvallisuusvaroitukset, ohjeet, piirustukset ja tekniset tiedot. Jos kaikkia alla olevia ohjeita ei noudateta, seurauksena saattaa olla sähköisku, tulipalo ja/tai vakava loukkaantuminen.

Säilytä kaikki varoitukset ja ohjeet myöhempää käyttöä varten.

### Työalueen turvallisuus

- Pidä työskentelyalue siistinä ja hyvin valaistuna. Sotkuiset tai hämärät alueet aiheuttavat onnettomuuksia.
- Älä käytä koneita räjähdysriskissä ympäristössä, kuten esimerkiksi syttyvien nesteiden, bensiinin tai polyn lähellä. Koneet saattavat aiheuttaa kipinöitä, jotka voivat syyttää polyn tai höyryt.
- Älä päästä lapsia tai sivullisia lähelle, kun käytät konetta. Häiriötekijät voivat aiheuttaa hallinnan menettämisen.

### Sähköturvallisuus

- Koneen pistokkeiden on vastattava pistorasiaa. Älä ikinä muokkaa pistotulppaa millään tavalla. Älä käytä minkäänlaisia sovitinpistokkeita maadoitettujen koneiden kanssa. Muokkaamattomat pistokkeet ja niihin sopivat pistorasiat vähentävät sähköiskun vaaraa.
- Vältä koskemasta vartaloosi maadoitettuihin pintoihin, kuten putkiin, lämmityspattereihin, liesiin ja jääkaappeihin. Sähköiskun riski kasvaa, jos kehosi on maadoitettu.
- Älä altista koneita sateelle tai märille olosuhteille. Koneeseen pääsevä vesi lisää sähköiskun vaaraa.
- Älä väärinkäytä johtoa. Älä ikinä käytä johtoa koneen kantamiseen, vetämiseen tai pistokkeen irrottamiseen. Pidä johto poissa tulen, öljyn, terävien reunojen tai liikkuvien osien läheltä. Vahingoittuneet tai sotkeutuneet johdot lisäävät sähköiskun vaaraa.
- Kun käytät konetta ulkona, käytä ulkokäyttöön tarkoitettua jatkojohtoa. Ulkokäyttöön tarkoitettun jatkojohdon käyttö vähentää sähköiskun riskiä.
- Jos et voi välttää sähkötyökoneen käyttöä kosteissa olosuhteissa, käytä vikavirtasuojakytkimellä varustettua pistorasiaa. Vikavirtasuojakytkimen käyttö vähentää

sähköiskuriskiä.

### Henkilökohtainen turvallisuus

- Ole valpas, tarkkaavainen ja käytä maalaisjärkeä, kun käytät konetta. Älä käytä konetta, kun olet väsynyt tai kun olet huumeiden, alkoholin tai lääkityksen vaikutuksen alaisena. Hetkellinenkin huomion herpaantuminen koneita käytettäessä saattaa aiheuttaa vakavan henkilövahingon.
- Käytä henkilönsuojaimia. Käytä aina silmäsuojaimia. Suojavarusteiden, kuten hengityssuojaimen, luistamattomien turvakengien, suojakypärän tai kuulosuojaimien, käyttö tarvittaessa vähentää loukkaantumisvaaraa.
- Estä vahingossa käynnistyminen. Varmista, että kytkin on off-asennossa, ennen kuin liität virtalähteen ja/tai akun, nostat koneen tai kannat sitä. Koneen kantaminen sormi virtakytkimellä tai virta kytkettynä olevan koneen liittäminen pistorasiaan muodostaa onnettomuusvaaran.
- Poista kaikki säätöön käytetyt avaimet tai kiintoavaimet ennen kuin käynnistät koneen. Koneen pyöriivään osaan jätetty avain tai kiintoavain saattaa aiheuttaa henkilövahingon.
- Älä kurkottele. Säilytä aina tukeva asento ja hyvä tasapaino. Näin hallitset koneen parhaalla mahdollisella tavalla odottamattomissa tilanteissa.
- Pukeudu asianmukaisesti. Älä käytä väljiä vaatteita tai koruja. Pidä hiukset ja vaatteet etäällä liikkuvista osista. Väljät vaatteet, korut tai pitkät hiukset voivat tarttua kiinni liikkuviin osiin.
- Jos laitteissa on liitännät pölynpoistolaitteille ja keräilylaitteille, varmista, että ne on liitetty ja niitä käytetään oikein. Pölynpoistolaitteiden käyttö vähentää pölyyn liittyviä vaaroja.
- Älä anna koneiden tuttuuden toistuvan käytön takia tehdä sinua liian itsevarmaksi, äläkä jätä koneiden turvallisuusohjeita noudattamatta. Huolimaton toiminta voi aiheuttaa vakavan henkilövahingon sekunnin murto-osassa.

### Koneen käyttö ja hoito

- Älä pakota konetta. Käytä omaan käyttötarkoitukseesi soveltuvaa konetta. Oikea kone suoriutuu parhaiten ja turvallisimmin tehtävästä sille tarkoitettulla nopeudella.
- Älä käytä konetta, jos sitä ei saa käynnistettyä ja sammutettua kytkimellä. Koneen, jota ei voida hallita kytkimellä, käyttö on vaarallista ja se on korjattava.

- **Irrota pistotulppa virtalähteestä ja/tai irrota akku koneesta, jos irrotettavissa, ennen kuin teet mitään säätöjä, vaihdat apuvälineitä tai laitat koneen varastoon.** Nämä ennaltaehkäisevät turvallisuustoimenpiteet vähentävät koneen vahingossa käynnistymisen riskiä.
- **Säilytä käyttämättömänä oleva kone lasten ulottumattomissa, äläkä anna henkilöiden, jotka eivät tunne konetta tai näitä ohjeita, käyttää konetta.** Koneet ovat vaarallisia kokemattomien käyttäjien käsissä.
- **Pidä koneet ja lisävarusteet kunnossa.** Tarkista, että liikkuvat osat ovat kunnolla paikallaan, että osat ovat ehjiä, ja että koneessa ei ole muita ongelmia, jotka saattaisivat vaikuttaa sen toimintaan. Jos kone on vaurioitunut, korjauta se ennen käyttöä. Monet onnettomuudet johtuvat huonosti huolletuista koneista.
- **Pidä leikkuukoneet terävinä ja puhtaina.** Oikein huolletut leikkuukoneet, joissa on terävät leikkureunat, eivät todennäköisesti jumiuudu, ja niitä on helpompi hallita.
- **Käytä konetta, lisävarusteita ja koneen teriä ym.** näiden ohjeiden mukaisesti ja siten, että otat huomioon käyttöolosuhteet ja tehtävän työn. Koneen käyttö muuhun kuin sille suunniteltuun tarkoitukseen saattaa aiheuttaa vaaratilanteen.
- **Pidä kahvat ja tartuntapinnat kuivina, puhtaina, öljyttöminä ja rasvattomina.** Liukkaat kahvat ja tartuntapinnat eivät mahdollista koneen turvallista käsittelyä ja hallintaa odottamattomissa tilanteissa.

#### akkukäyttöisen koneen käyttö ja hoito

- **Lataa vain valmistajan määrittelemällä laturilla.** Laturi, joka sopii yhdentyyppiselle akulle voi aiheuttaa tulipalovaaran, jos sitä käytetään toisenlaisen akun kanssa.
- **Käytä koneissa vain erityisesti niihin tarkoitettuja akkuja.** Muunlaisten akkujen käyttö saattaa aiheuttaa henkilövahingon tai tulipalon vaaran.
- **Kun akku ei ole käytössä, pidä se erillään metalliesineistä, kuten paperiliittimet, kolikot, avaimet, naulat, ruuvit ja muut pienet metalliesineet, jotka voivat yhdistää akun navat toisiinsa.** Akun napojen oikosulku voi aiheuttaa palovammoja tai tulipalon.
- **Akusta voi valua nestettä väärästä käytöstä johtuen. Vältä kosketusta nesteeseen. Jos kosket nesteeseen vahingossa, huuhtelee vedellä. Jos nestettä pääsee silmiin, hakeudu lääkärin hoitoon.** Akusta valuva neste voi aiheuttaa ärsytystä tai palovammoja.

- **Älä käytä akkua tai konetta, joka on vaurioitunut tai jota on muutettu.** Vaurioituneet tai muutetut akut voivat käyttäytyä arvaamattomasti ja aiheuttaa tulipalon, räjähdysken tai henkilövahingon vaaran.
- **Älä altista akkua tai konetta tulelle tai äärimmäisille lämpötiloille.** Altistaminen tulelle tai yli 130 °C:n lämpötilalle voi aiheuttaa räjähdysken.
- **Noudata kaikkia latausohjeita, äläkä lataa akkua tai konetta lämpötilassa, joka ei ole ohjeissa ilmoitetun lämpötila-alueen sisällä.** Virheellinen lataaminen tai lataaminen ilmoitetun lämpötila-alueen ulkopuolella olevassa lämpötilassa voi vaurioittaa akkua ja lisätä palovaaraa.

#### Huolto

- **Huollata kone asiantuntevalla korjaajalla, joka käyttää vain identtisiä varaosia.** Tällä varmistetaan, että koneen turvallisuus säilyy.
- **Älä koskaan huolla vaurioituneita akkuja.** Akkujen huollon saa tehdä vain valmistaja tai sen valtuuttamat huoltoliikkeet.

## JÄÄKAIRAN TURVALLISUUSVAROITUKSET

- **Vaihda kairat, jos ne ovat halkeilleet, taipuneet tai vaurioituneet millään tavalla.** Koneen käyttäminen vaurioituneella kairalla voi johtaa vakaviin vammoihin.
- **Älä koskaan käytä kairaa kahvojen ollessa vyötärötason yläpuolella.** Tämä rajoittaa kairan hallintaa ja voi lisätä loukkaantumisvaaraa.
- **Pidä konetta molemmin käsin siihen tarkoitettuista kahvoista.** Hallinnan menettäminen voi aiheuttaa henkilövahingon.
- **Pidä konetta työskentelyn aikana vain eristetystä tartuntapinnoista, koska kaivamisväline voi osua piilossa oleviin johtoihin.** Kaivamisvälineen kosketus "jännitteiseen" johtoon saattaa tehdä koneen metalliosat "jännitteisiksi" ja voi aiheuttaa sähköiskun käyttäjälle.
- **Sähköiskuvaaran vähentämiseksi älä koskaan käytä kairaa maahan haudattujen sähkökaapeleiden lähellä.** Kosketus haudattuihin sähkökaapeleihin tai niiden lähellä käyttäminen voi aiheuttaa vakavia vammoja tai kuolemaan johtavan sähköiskun.
- **Käynnistä kone aina alhaisella nopeudella ja siten, että kairan kärki on kosketuksissa maahan.** Suuremmilla nopeuksilla terä todennäköisesti taipuu, jos sen annetaan pyöriä vapaasti ilman kosketusta maahan, mikä voi johtaa henkilövahinkoihin.

- **Paina terää vain suorassa linjassa, äläkä käytä liiallista painetta.** Terät voivat taipua ja aiheuttaa rikkoutumisen tai hallinnan menettämisen, mikä voi johtaa henkilövahinkoihin.
- **Varmista aina, että sinulla on vakaa asento.** Varmista, että kukaan ei ole alla, kun käytät konetta korkeissa paikoissa.
- **Pidä koneesta tukevasti kiinni.**
- **Pidä kädet etäällä pyörivistä osista.**
- **Älä jätä konetta käyntiin. Käytä konetta vain kädessä pitäen.**
- **Älä koske kairan terään heti käytön jälkeen.** Se voi olla erittäin kuuma ja voi polttaa ihoa.
- **Jos koneessa on jotain vikaa, kuten epänormaaleja ääniä, lopeta käyttö välittömästi ja ota yhteyttä paikalliseen huoltoliikkeeseen korjausta varten.**
- **Räjähdystvaaran vähentämiseksi älä koskaan käytä kairaa maan alle haudattujen kaasuputkien, vesijohtojen ja -putkien läheisyydessä.** Kosketus maahan haudattujen vesi- tai kaasulinjojen kanssa tai käyttö niiden lähellä voi johtaa vesijohtojen puhkeamiseen ja kaasuputkien räjähdykseen, mikä voi aiheuttaa vakavia vammoja tai kuoleman.
- **Älä koskaan käytä suurempaa nopeutta kuin kairan terän suurin sallittu nopeus.** Suuremmilla nopeuksilla terä todennäköisesti taipuu, jos sen annetaan pyöriä vapaasti ilman kosketusta työkappaleeseen, mikä voi johtaa henkilövahinkoihin.
- **Akkukoneita ei tarvitse liittää sähköverkkoon.** Tästä syystä ne ovat aina käyttökunnossa. Huomioi mahdolliset vaarat myös silloin, kun kone ei ole käynnissä. Ole varovainen tehdessäsi kunnossapito- tai huoltotoimenpiteitä.
- **Älä puhdista letkulla; vältä veden pääsemistä moottoriin ja sähköliitännöihin.**
- **Jääterät ovat erittäin teräviä. Ole erittäin varovainen poratessasi reikää tai vaihtaessasi teriä. Laita terän suojus päälle jokaisen käyttökerran jälkeen.**
- **Tarkista säännöllisesti ja varmista, että lukitusruuvi on kiinnitetty paikalleen.**
- **Käytä vain määritettyjen akkujen ja latureiden kanssa.**

**Säilytä nämä ohjeet.** Lue ohjeet säännöllisesti ja käytä niitä muiden koneen käyttäjien ohjeistamisessa. Jos lainaat tämän koneen jollekulle muulle, lainaa samalla myös nämä ohjeet tuotteen väärinkäytön ja mahdollisen henkilövahingon estämiseksi.

## TEKNISET TIEDOT

Kairan terän/reiän halkaisija	200 mm	
Suurin poraussyvyys	990 mm	
Paino (ilman akkua)	3.7 kg	
Suosittelut käyttölämpötila	-20°C - 40°C	
Suosittelut säilytyslämpötila	-40°C - 70°C	
Äänitehotaso $L_{WA}$	97.6 dB(A) K=3 dB(A)	
Äänen painetaso $L_{PA}$	89.6 dB(A) K=3 dB(A)	
Tärinä $a_n$	Oikea kahva	2.52 m/s <sup>2</sup> K=1.5 m/s <sup>2</sup>
	Vasen kahva	2.45 m/s <sup>2</sup> K=1.5 m/s <sup>2</sup>

- Ilmoitettu tärinän kokonaispäästöarvo on mitattu vakiotestausmenetelmän mukaisesti ja sitä voidaan käyttää koneiden keskinäiseen vertailuun.
- Ilmoitettua tärinän kokonaispäästöarvoa voidaan käyttää myös altistumisen alustavaan arviointiin.

**HUOMAUTUS:** Koneen käytön aikana mitattu todellinen tärinäpäästöarvo voi poiketa ilmoitetusta kokonaispäästöarvosta koneen käyttötavasta johtuen; käyttäjän suojaamiseksi tulee käyttää käsinettä ja kuulosuojaimia todellisissa käyttöolosuhteissa.

## SUOSITELLUT LISÄVARUSTEET

**VAROITUS:** Käytä vain alla lueteltuja lisävarusteita. Sellaisten lisävarusteiden käyttö, jotka eivät vastaa alkuperäisiä laitemäärityksiä, saattaa aiheuttaa vääränlaisen toiminnan ja heikentää turvallisuutta.

OSAN NIMI	MALLIN NUMERO
Jääkairan terä	AB08001

## PAKKAUSLUETTELO (KUVA A)

### KUVAUS

#### TUNNE JÄÄKAIRAN TERÄN OSAT (kuva A)

1. Jääkairan terä
2. Lukitusruuvi
3. Terän suoja
4. Jääterä
5. Kuusiokoloavain (6 mm)

### KOKOAMINEN

#### JÄÄKAIRAN TERÄN ASENTAMINEN

**VAROITUS:** Kairan terä on erittäin terävä. Henkilövahinkojen välttämiseksi ole äärimmäisen varovainen puhdistaessasi, asentaessasi tai irrottaessasi kairan terää. Käytä aina käsineitä, kun käsittelet kairan terää.

- 1 Löysää ja irrota jääkairan terän lukitusruuvi.
- 2 Kiinnitä kairan terän yläpää akkupään käyttöakseliin (kuva B1).
- 3 Kohdista kairan terän ja käyttöakselin liitosreiat.
- 4 Käytä lukitusruuvia kiinnittääksesi jääkairan terän käyttöakseliin. Käytä mukana toimitettua 6 mm:n kuusiokoloavainta kirstistäksesi lukitusruuvin tiukasti (kuva B2).

B1-1	Käyttöakseli	B1-2	Jääkairan terän yläpää
B2-1	Käyttöakseli	B2-2	Lukitusruuvi
B2-3	Tasainen puoli		

**HUOMAUTUS:** Varmista, että lukitusruuvi työnnetään liitäntäreikiin kairan terän reian tasaiselta puolelta.

### KÄYTTÖ

#### KÄYTTÄMINEN

Tätä laitetta voi käyttää seuraavassa mainittuihin tarkoituksiin:

- Reikien poraaminen jäähän jääkairan terällä.

#### JÄÄKAIRAN KÄYNNISTÄMINEN/SAMMUTTAMINEN

- Katso akkupään PHA7400E käyttöoppaasta kohta "AKKUPÄÄN KÄYNNISTÄMINEN/SAMMUTTAMINEN".

**HUOMAUTUS:** Käytä suojakäsineitä ja poista jääterän suojus ennen tuotteen käynnistämistä.

#### TYÖSKENTELY JÄÄKAIRALLA

##### VAROITUS:

- Ota yhteyttä paikalliseen sähkölaitokseen maanalaisen verkon merkitsemiseksi ennen koneen käyttöä, jotta vältät kosketuksen maanlaisiin sähköverkkoihin.
- Älä käytä jääkairaa mihinkään muuhun kuin sille tarkoitettuun tarkoitukseen.
- Käytä jääkairaa vain reikien poraamiseen jäähän.
- Vältä kaivamasta materiaalia, jonka epäilet sisältävän piilossa olevia nautoja tai muita esineitä, jotka voivat aiheuttaa kairan terän juuttumisen tai katkeamisen.
- Pysy valppaana koneen vääntömomentin reaktiivoiman suhteen. Pysy aina käyttöasennossa, jotta voit kestää vääntömomentin reaktiivoiman.
- Ole erittäin varovainen, kun työskentelet rinteissä tai epätasaisessa maastossa.

**HUOMAUTUS:** Tarkista ennen käyttöä, ettei aukkoihin tai liikkuviin osiin ole juuttunut vieraita aineita (hiekkaa, multaa jne.).

- a. Varmista, että seisot tukevasti työpinnan yläpuolella ja kahvat ovat lähellä vyötäröä. Pidä oikeaa kahvaa tiukasti oikealla kädellä ja vasenta kahvaa vasemmalla kädellä (kuva C1).

C1-1	Oikea kahva	C1-2	Vasenta kahva
------	-------------	------	---------------

**VAROITUS:** Älä koskaan pidä oikeaa kahvaa vasemmalla kädellä ja vasenta kahvaa oikealla kädellä. Väärät käsien asennot voivat johtaa vakavaan henkilövahinkoon (kuva C2).

**VAROITUS:** Vältä väärää asentoa (kuva C3). Älä seiso liian kaukana koneesta. Asianmukaista reaktiota ja hallintaa ei välttämättä saavuteta takaiskun sattuessa.

- b. Pidä kairan terä kaukana vartalostasi ja kairan terän pitäisi osoittaa alaspäin 90 asteen kulmassa pintaan nähden.
- c. Aseta pyörimissuunta ja pyörimisnopeus.
- d. Nosta kone pinnan yläpuolelle. Pidä lukituspainiketta painettuna ja purista kytkinliipaisinta.

**VAROITUS:** Älä koske kairan terään, kun tuote on kytketty päälle.

- e. Anna kairan saavuttaa täysi nopeus.
- f. Laske kairan terä maanpintaan säilyttäen 90 asteen kulman (kuva C4). Anna kairan terän porautua

materiaaliin antamalla koneen tehdä työ.

- g. Kun kairan terä alkaa täyttyä roskista, on tärkeää puhdistaa sitä jatkuvasti hyvän poraustuloksen aikaansaamiseksi ja työ määrän vähentämiseksi. Kun kaira toimii täydellä nopeudella, nosta se hitaasti reiästä ja anna roskien poistua kairan terästä.
- h. Koneen käytön jälkeen vapauta kytinkiinlipaisin ja anna kairan terän pysähtyä täysin.
- i. Kun poistut koneen luota, esimerkiksi tauon ajaksi, älä jätä konetta upotetuksi jähän tai laita sitä nojaamaan seinää vasten. Asenna teränsuoja jääkairan terään ja säilytä konetta vakaassa asennossa.

## VINKKEJÄ JÄÄKAIRAN KÄYTTÄMISEEN

- Koneen liiallinen painaminen ei nopeuta kaivamista. Liiallinen painaminen vahingoittaa vain kairan terää, heikentää koneen suorituskykyä ja lyhentää koneen käyttöikää.
- Jos poraat syvää reikää tai poraat savimaahan, älä yritä kaivaa kerralla. Kaiva reikä nostamalla konetta ylös ja alas, jotta reiässä oleva irrallinen maa-aines irtoaa.
- Jos koneen pyörimisnopeus hidastuu suuren kuormituksen vuoksi, nosta konetta vähän ylös ja siirrä konetta ylös ja alas poratakseksi pienin askelin.
- Juuttunut kairan terä voidaan irrottaa yksinkertaisesti asettamalla kairan terä pyörimään taaksepäin, jotta se voidaan irrottaa. Kun terä pyörii taaksepäin, tukeudu koneeseen vartalollasi, jotta kone ei pääse kääntymään myötapäivään.
- Ennen kuin työskentelet jääkairan terällä jäätyneillä lammilla, järvillä tai virtauksissa, tarkista asia paikallisilta viranomaisilta ja ryhdy kaikkiin tarvittaviin varoitoimenpiteisiin jään paksuuden varmistamiseksi.
- Kun otat jääkairan terän ulos reiästä, nosta konetta pystysuoraan niin, että jääkairan terä tulee suoraan ulos ilman kallistumista. Jos haluat minimoida roiskumisen jääreikiä porattaessa, vapauta liipaisinkytkin välittömästi, kun jääkairan terä murtautuu jään läpi. Nosta konetta hitaasti. Peitä ja merkitse porausreiät selvästi, jotta kukaan ei voi astua reikään.

## HUOLTAMINEN

**VAROITUS:** Vakavan henkilövamman välttämiseksi poista akku tuotteesta ennen kuin huollat tai puhdistat sitä, vaihdat lisäosia tai poistat materiaalia laitteesta.

## YLEINEN KUNNOSSAPITO

- Vältä liuotainaineiden käyttöä, kun puhdistat muoviosia. Useimmat muovit ovat herkkiä vaurioitumaan

erilaisista kaupallisista liuottimista ja voivat vaurioitua niiden käytöstä. Poista lika, pöly, öljy, rasva ym. puhtaalla liinalla.

**VAROITUS:** Älä koskaan anna jarrunesteiden, bensiinin, öljypohjaisten tuotteiden, irrotusöljyjen ym. päästä kosketuksiin muoviosien kanssa. Kemikaalit voivat vaurioittaa, heikentää tai tuhota muovin, mikä voi johtaa vakavaan henkilövahinkoon.

## JÄÄTERIEN VAIHTAMINEN

- Jos jääkaira hyppii jäällä tai porautuu jään läpi hitaasti porattaessa jääreikiä, jääterät on ehkä vaihdettava.
  - Tarvitavat työkalut: 6 mm:n kuusiokoloavain (mukana), 3 mm:n kuusiokoloavain (ei mukana)
1. Irrota akku kairasta ja irrota jääkairan terä akkupään käyttöakselista käyttämällä 6 mm:n kuusiokoloavainta lukitusruuvin löysäämiseen ja irrottamiseen.
  2. Käytä suojakäsineitä ja poista jääterän suojus (kuva D1).
  3. Löysää 3 mm:n kuusiokoloavaimella ruuvit ja jääterät ja irrota ne jääkairan terästä (kuva D2).
  4. Vaihda uudet terät ja kiristä ne tiukasti.
  5. Asenna terän suojus.

D1-1	Terän suojus	D1-2	Jääterät
D2-1	Ruuvi	D2-2	Jääterä

## JÄÄKAIRAN TERÄN VARASTOIMINEN

1. Poista akku.
2. Irrota kairan terä akkupään käyttöakselista.
3. Puhdista kairan terä huolellisesti ennen säilytystä.
4. Asenna terän suojus jääkairan terään.
5. Säilytä kairan terä kuivassa, hyvin ilmastoidussa, lukitussa paikassa tai korkealla, poissa lasten ulottuvilta. Älä säilytä kairan terää lannoitteiden, bensiinin tai muiden kemikaalien päällä tai vieressä.

## Ympäristönsuojelu



Älä hävitä sähkölaitteita, käytettyjä akkuja tai laturia kotitalousjätteen seassa! Vie tämä tuote hyväksytyyn kierrätyspaikkaan tai anna se erilliseen keräilyyn. Sähkötyökalut tulee palauttaa asianmukaiseen ympäristöstävälliseen kierrätyslaitokseen.

## VIANMÄÄRITYS

ONGELMA	SYY	RATKAISU
Kone ei käynnisty tai pysähtyy odottamatta.	<ul style="list-style-type: none"> <li>■ Akun kapasiteetti vähissä.</li> <li>■ Akku on ylikuumentunut tai liian kylmä.</li> <li>■ Oikean kahvan kaapelia ei ole kytketty akkupään kaapeliin oikein.</li> </ul>	<ul style="list-style-type: none"> <li>■ Lataa akku.</li> <li>■ Odota, että akku jäähtyy tai lämpenee, jolloin kaira voidaan käynnistää uudelleen.</li> <li>■ Liitä oikean kahvan ja akkupään kaapelit PHA7400E-käyttöoppaan kohdan "KAHVOJEN ASENTAMINEN" mukaisesti.</li> </ul>
Jääkaira hyppää jään päälle tai porautuu hitaasti jään läpi.	<ul style="list-style-type: none"> <li>■ Jotkin osat ovat löystyneet.</li> </ul>	<ul style="list-style-type: none"> <li>■ Pysäytä kaira, poista akku, tarkista ja kiristä löystyneet osat.</li> </ul>
Kairan terän pyörimissuuntaa tai nopeutta ei vaihdeta pyörimissuunnan/ nopeuden valitsimen painamisen jälkeen.	<ul style="list-style-type: none"> <li>■ Löystynyt kairan terä.</li> </ul>	<ul style="list-style-type: none"> <li>■ Asenna kairan terä uudelleen tämän käyttöoppaan "JÄÄKAIRAN TERÄN ASENTAMINEN" -osion mukaisesti.</li> </ul>
Ice auger jumps on the ice or cuts slowly through the ice.	<ul style="list-style-type: none"> <li>■ Terät ovat tylsät tai vaurioituneet.</li> </ul>	<ul style="list-style-type: none"> <li>■ Vaihda uudet terät tämän käyttöoppaan kohdan "JÄÄTERIEN VAIHTAMINEN" mukaisesti.</li> </ul>
The auger rotation direction or speed is not switched after pushing the rotation direction/ speed selector.	<ul style="list-style-type: none"> <li>■ Pyörimissuunnan vaihtaminen eteen- ja taaksepäin on mahdollista vain, kun kaira pysäytetään.</li> <li>■ Muut tunnistamattomat syyt.</li> </ul>	<ul style="list-style-type: none"> <li>■ Pysäytä kaira kokonaan, työnnä pyörimissuunnan/nopeuden valitsin haluttuun pyörimiseen ja käynnistä sitten kaira uudelleen.</li> <li>■ Ota yhteyttä EGO-huoltoon korjausta varten.</li> </ul>

FI

## TAKUU

### EGON TAKUUEHDOT

Verkkosivustolta [egopowerplus.eu](http://egopowerplus.eu) löydät EGO:n takuukäytännön täydelliset ehdot.

## LES ALLE INSTRUKSJONER!



### LES BRUKERMANUALEN

**⚠ ADVARSEL:** For å sikre sikkerhet og pålitelighet bør alle reparasjoner utføres av en kvalifisert servicetekniker.

## SIKKERHETSSYMBOL

Hensikten med sikkerhetssymboler er å tiltrekke deg oppmerksomheten mot mulige farer. Sikkerhetssymbolene og forklaringene med dem fortjener nøye oppmerksomhet og forståelse. Symbolvarslene eliminerer ikke i seg selv noen fare. Instruksjonene og advarslene de gir, erstatter ikke riktige tiltak for å forhindre ulykker.

**⚠ ADVARSEL:** Sørg for å lese og forstå alle sikkerhetsinstruksjonene i denne brukerhåndboken, inkludert alle sikkerhetsvarselsymboler som "**FARE**", "**ADVARSEL**" og "**FORSIKTIG**" før du bruker dette verktøyet. Hvis du ikke følger alle instruksjonene nedenfor, kan det føre til elektrisk støt, brann og/eller alvorlig personskade.

## SIKKERHETSINSTRUKSER

**NO**

Denne siden viser og beskriver sikkerhetssymboler som kan vises på dette produktet. Les, forstå og følg alle instruksjoner på enheten før du begynner montering og tar den i bruk.



Sikkerhetsvarsel



For å redusere risikoen for skade, må brukeren lese bruksanvisningen.



Bruk øyeskyttelse



Bruk hørselvern



Elektriske produkter skal ikke kastes sammen med husholdningsavfallet. Send til en autorisert gjenvinner.



Dette produktet er i samsvar med gjeldende EU-direktiver.



Likestrøm



Dette produktet er i samsvar med gjeldende britisk lovgivning.

V Spenning

kg Kilogram

°C Celsius

mm Millimeter

/min Omdreining per minutt

IPX4 Beskyttelse mot vannsprut

## GENERELLE MASKINSIKKERHETSADVARSLER

**⚠ ADVARSEL:** Les alle sikkerhetsadvarsler, instruksjoner, illustrasjoner og spesifikasjoner som følger med denne maskinen. Unnlattelse av å følge alle instruksjonene nedenfor kan føre til elektrisk støt, brann og/eller alvorlig skade.

Lagre alle advarsler og instruksjoner for fremtidig referanse.

### Sikkerhet på arbeidsområdet

- **Hold arbeidsområdet rent og godt opplyst.** Rotete eller mørke områder inviterer til ulykker.
- **Ikke bruk maskiner i eksplosive atmosfærer, for eksempel i nærvær av brennbare væsker, bensin eller støv.** Maskiner lager gnister som kan antenne støv eller røyk.
- **Hold barn og tilskuere unna mens du bruker en maskin.** Distraksjoner kan føre til at du mister kontrollen.

### Elektrisk sikkerhet

- **Maskinpluggene må passe til stikkkontakten.** Modifiser aldri støpselet på noen måte. **Ikke bruk noen adapterplugg med jordede (jordede) maskiner.** Umodifiserte støpsler og matchende stikkontakter vil redusere risikoen for elektrisk støt.
- **Unngå kroppskontakt med jordete overflater som rør, radiatorer, komfyrer og kjøleskap.** Det er en økt risiko for elektrisk støt hvis kroppen din er jordet eller jordet.
- **Ikke utsett maskiner for regn eller våte forhold.** Vann som kommer inn i en maskin vil øke risikoen for elektrisk støt.
- **Ikke utsett ledningen for feil behandling. Bruk aldri ledningen til å bære, trekke eller koble fra maskinen. Hold ledningen unna varme, olje, skarpe kanter eller bevegelige deler.** Skadede eller sammenfiltrede ledninger øker risikoen for elektrisk støt.
- **Når du bruker en maskin utendørs, bruk en skjøteledning som er egnet for utendørs bruk.** Bruk av en ledning egnet for utendørs bruk reduserer risikoen for elektrisk støt.
- **Hvis det er uunngåelig å bruke en maskin på et fuktig sted, bruk en jordfeilbryterbeskyttet forsyning.** Bruk av en GFCI reduserer risikoen for elektrisk støt.

### Personlig sikkerhet

- **Vær på vakt, se hva du gjør og bruk sunn fornuft når du bruker en maskin. Ikke bruk en maskin mens du er trøtt eller påvirket av narkotika, alkoholl eller medisiner.** Et øyeblikks uoppmerksomhet under bruk av maskiner kan føre til alvorlig personskade.
- **Bruk personlig verneutstyr. Bruk alltid vernebriller.** Verneutstyr som støvmaske, skliskre vernesko, hjelm eller hørselsvern når omgivelsene krever det, reduserer risikoen for personskader.
- **Forhindre utilsiktet start.** Sørg for at bryteren er i av-posisjon før du kobler til strømkilden og/eller batteripakken, plukker opp eller bærer maskinen. Å bære maskiner med fingeren på bryteren eller energigivende maskiner som har bryteren på, inviterer til ulykker.
- **Fjern eventuell justeringsnøkkel eller skiftenøkkel før du slår på maskinen.** En skiftenøkkel eller en nøkkel som er festet til en roterende del av maskinen kan føre til personskade.
- **Ikke overdriv.** Hold riktig fotfeste og balanse til enhver tid. Dette gir bedre kontroll over maskinen i uventede situasjoner.
- **Kle deg skikkelig. Ikke bruk løse klær eller smykker. Hold hår og klær på avstand fra bevegelige deler.** Løse klær, smykker eller langt hår kan sette seg fast i bevegelige deler.
- **Hvis det leveres enheter for tilkobling av støvavsug og oppsamlingsanlegg, sørg for at disse er tilkoblet og riktig brukt.** Bruk av støvoppsamling kan redusere støvrelaterte farer.
- **Ikke la kjennskap oppnådd ved hyppig bruk av maskiner tillate deg å bli selvtilfreds og ignorere maskinsikkerhetsprinsipper.** En uforsiktig handling kan forårsake alvorlig skade i løpet av en brøkdel av et sekund.

NO

### Maskinbruk og vedlikehold

- **Ikke tving maskinen.** Bruk riktig maskin for din applikasjon. Riktig maskin vil gjøre jobben bedre og sikrere med den hastigheten den ble designet for.
- **Ikke bruk maskinen hvis bryteren ikke slår den av og på.** Enhver maskin som ikke kan kontrolleres med bryteren er farlig og må repareres.
- **Koble støpselet fra strømkilden og/eller fjern batteripakken, hvis den kan tas av, fra maskinen før du foretar justeringer, skifter tilbehør eller oppbevarer maskiner.** Slike forebyggende sikkerhetstiltak reduserer risikoen for å starte maskinen ved et uhell.

- **Oppbevar inaktive maskiner utilgjengelig for barn og la ikke personer som ikke er kjent med maskinen eller disse instruksjonene bruke maskinen.** Maskiner er farlige i hendene på utrente brukere.
- **Vedlikehold maskiner og tilbehør. Sjekk for feiljustering eller binding av bevegelige deler, brudd på deler og andre forhold som kan påvirke maskinens drift.** Hvis den er skadet, få maskinen reparert før bruk. Mange ulykker er forårsaket av dårlig vedlikeholdte maskiner.
- **Hold skjæremaskiner skarpe og rene.** Riktig vedlikeholdte skjæremaskiner med skarpe skjærekanten har mindre sannsynlighet for å binde seg og er lettere å kontrollere.
- **Bruk maskinen, tilbehør og maskinbits etc. i samsvar med disse instruksjonene, og ta hensyn til arbeidsforholdene og arbeidet som skal utføres.** Bruk av maskinen til andre operasjoner enn de tiltenkte kan føre til en farlig situasjon.
- **Hold håndtak og gripeflater tørre, rene og fri for olje og fett.** Glatte håndtak og gripeflater tillater ikke sikker håndtering og kontroll av maskinen i uventede situasjoner.

NO

## Bruk og vedlikehold av batterimaskin

- **Lad kun med laderen spesifisert av produsenten.** En lader som er egnet for én type batteripakke kan skape brannfare når den brukes med en annen batteripakke.
- **Bruk kun maskiner med spesifikt utpakte batteripakker.** Bruk av andre batteripakker kan skape risiko for skader og brann.
- **Når batteriet ikke er i bruk skal det holdes unna andre metallgjenstander som binders, mynter, nøkler, spikere, skruer eller andre små metallgjenstander som kan lage forbindelse fra én terminal til en annen.** Kortslutning av batteripolene kan forårsake brannskader eller brann.
- **Under farlige forhold kan væske komme ut av batteriet. Unngå kontakt med denne. Hvis kontakt oppstår ved et uhell, skyl med vann. Får du væske i øynene, skal det i tillegg søkes medisinsk hjelp.** Væske som blir slynget ut av batteriet, kan forårsake irritasjon eller brannskader.
- **Ikke bruk en batteripakke eller maskin som er skadet eller modifisert.** Skadede eller modifiserte batterier kan vise uforutsigbar oppførsel som resulterer i brann, eksplosjon eller fare for skade.
- **Ikke utsett en batteripakke eller maskin for brann eller høy temperatur.** Eksponering for brann eller temperatur over 130°C kan forårsake eksplosjon.

- **Følg alle ladeinstruksjoner og ikke lad batteripakken eller maskinen utenfor temperaturområdet spesifisert i instruksjonene.** Feil lading eller ved temperaturer utenfor spesifisert område kan skade batteriet og øke risikoen for brann.

## Service

- **Få service på maskinen av en kvalifisert reparasjonsperson som kun bruker identiske reservedeler.** Dette vil sikre at sikkerheten til maskinen opprettholdes.
- **Batteripakker som er skadet, må aldri brukes.** Service på batteripakker må bare utføres av produsenten eller autoriserte tjenesteleverandører.

## SIKKERHETSADVARSLER FOR ISSNELLER

- **Skift ut skruene hvis de er sprukket, bøyd eller skadet på noen måte.** Bruk av maskinen med en skadet mateskrue kan føre til alvorlige skader.
- **Bruk aldri skruen med håndtakene over midjenivået.** Dette begrenser kontrollen over skruen og kan øke risikoen for skade.
- **Hold maskinen med begge hender ved de tiltenkte håndtakene.** Tap av kontroll kan forårsake personskade.
- **Hold maskinen i isolerte gripeflater når du utfører en operasjon der gravetilbehøret kan komme i kontakt med skjulte ledninger.** Graving av tilbehør som kommer i kontakt med en "strømførende" ledning kan gjøre utsatte metalldele på maskinen "strømførende" og kan gi operatøren et elektrisk støt.
- **For å redusere risikoen for elektrisk støt, bruk aldri skruen i nærheten av nedgravde elektriske strømkabler.** Kontakt med eller bruk i nærheten av nedgravde elektriske strømkabler kan forårsake alvorlig skade eller elektrisk støt som kan føre til død.
- **Start alltid maskinen med lav hastighet og med spissen av mateskruen i kontakt med bakken.** Ved høyere hastigheter vil biten sannsynligvis bøye seg hvis den får rotere fritt uten å komme i kontakt med bakken, noe som resulterer i personskade.
- **Påfør trykk bare i direkte linje med boret og ikke påfør for stort trykk.** Borer kan bøye seg, dette resulterer i at boret brekker eller at man mister kontrollen. Dette kan medføre personskader.
- **Vær alltid sikker på at du har et solid fotfeste.** Pass på at ingen er under når du bruker maskinen på høye steder.

- **Hold maskinen godt fast.**
- **Hold hendene unna roterende deler.**
- **Ikke la maskinen gå. Bruk kun maskinen når den holdes i hånden.**
- **Ikke berør borekronen umiddelbart etter drift.** Det kan være ekstremt varmt og kan brenne huden din.
- **Hvis noe er galt med maskinen, for eksempel unormale lyder, må du umiddelbart slutte å bruke maskinen og kontakte ditt lokale servicesenter for reparasjon.**
- **For å redusere risikoen for eksplosjon, bruk aldri skruen i nærheten av nedgravde gassledninger, inkludert vannledninger og rør.** Kontakt med eller bruk i nærheten av nedgravde vann- eller gassledninger kan føre til sprengning av vannledninger og eksplosjon fra gassledninger som kan forårsake alvorlig skade eller død.
- **Kjør aldri med høyere hastighet enn den maksimale hastigheten til borekronen.** Ved høyere hastigheter vil biten sannsynligvis bøye seg hvis den får rotere fritt uten å komme i kontakt med arbeidsstykket, noe som resulterer i personskade.
- **Batteridrevne maskiner trenger ikke å være koblet til en stikkontakt; derfor er de alltid i driftstilstand. Vær oppmerksom på mulige farer selv når maskinen ikke er i drift.** Vær forsiktig når du utfører vedlikehold eller service.
- **Ikke vask med en slange; unngå å få vann i motor og elektriske koblinger.**
- **Isbladene er veldig skarpe. Vær ekstremt forsiktig når du borer et hull eller skifter ut bladene. Sett på bladbeskyttelsen etter hver bruk.**
- **Kontroller ofte og sørg for at låseskruen er sikret på plass.**
- **Bruk kun med spesifiserte batteripakker og ladere.**

**Lagre disse instruksjonene.** Se dem ofte og bruk dem til å instruere andre som kan bruke denne maskinen. Hvis du låner noen denne maskinen, lån dem også disse instruksjonene for å forhindre misbruk av produktet og mulig skade.

## SPESIFIKASJONER

Borebit/hulldiameter	200 mm
Maksimal boreddybde	990 mm
Vekt (uten batteripakke)	3.7 kg
Anbefalt driftstemperatur	-20°C - 40°C

Anbefalt lagringstemperatur	-40°C - 70°C	
Målt lydeffektnivå $L_{WA}$	97.6 dB(A) K=3 dB(A)	
Lydeffektnivå $L_{PA}$	89.6 dB(A) K=3 dB(A)	
Vibrasjon $a_h$	Høyre håndtak	2.52 m/s <sup>2</sup> K=1.5 m/s <sup>2</sup>
	Venstre håndtak	2.45 m/s <sup>2</sup> K=1.5 m/s <sup>2</sup>

- Den deklarerte totalverdien for vibrasjoner er målt i henhold til en standard testmetode og kan brukes til å sammenligne en maskin med en annen.
- Den oppgitte vibrasjonstotalverdien kan også brukes i en foreløpig vurdering av eksponering.

**MERKNAD:** Vibrasjonsutslippet under faktisk bruk av maskinen kan avvike fra den deklarerte verdien som maskinen brukes i; For å beskytte operatøren bør brukeren bruke hansker og hørselvern under de faktiske bruksforholdene.

**NO**

## ANBEFALT TILBEHØR

**⚠ ADVARSEL:** Bruk kun tilbehør som er oppført nedenfor. Bruk av tilbehør som ikke oppfyller de originale utstyrsspesifikasjonene kan føre til feil ytelse og kompromittert sikkerhet.

DELNAVN	MODELLNUMMER
Isborebitblad	AB0800I

## PAKKELISTE (FIG. A)

## BESKRIVELSE

### KJENN DIN ISSNELLEBIT (Fig. A)

1. Isborbit
2. Låseskrue
3. Blade Guard
4. Isblad
5. unbrakonøkkel (6 mm)

## MONTERING

### INSTALLERING AV ISBOREBIT

**⚠ ADVARSEL:** Borekronen er veldig skarp. For å forhindre personskaade, utvis ekstrem forsiktighet når du rengjør, installerer eller fjerner borekronen. Bruk alltid vernehansker når du utfører vedlikehold på borekronen.

- 1 Løsne og fjern låseskruen fra isborebiten.
- 2 Monter den øvre enden av borekronen på drivakselen til krafthodet (fig. B1).
- 3 Rett inn tilkoblingshullene på borekronen og drivakselen.
- 4 Bruk låseskruen for å feste borekronen til drivakselen. Bruk den medfølgende 6 mm unbrakonøkkel for å stramme låseskruen godt (fig. B2).

NO

B1-1	Drivaksel	B1-2	Øvre ende av isborebiten
B2-1	Drivaksel	B2-2	Låseskrue
B2-3	Flat Side		

**LEGG MERKE TIL:** Pass på at låseskruen er satt inn i tilkoblingshullene fra den flate siden av boreborehullet.

## OPERASJON

### APPLIKASJON

Du kan bruke dette produktet til formålene som er oppført nedenfor:

- Bore hull i is ved hjelp av isborekronen.

### START/STOPPING AV ISSUTEREN

Se avsnittet "START/STOPPING AV KRAFTHODET" i brukerhåndboken for strømhodet PHA7400E.

**MERKNAD:** Bruk vernehansker og fjern isbladbeskyttelsen før du starter produktet.

### JOBBER MED ISSKRUE

#### ⚠ ADVARSEL:

- Kontakt lokalt selskap for underjordisk servicemerkning før du bruker maskinen for å unngå kontakt med underjordiske verktøy.
- Ikke bruk isskruen til noe annet enn det tiltenkte formålet.
- Bruk isskruen til kun å bore hull i is.
- Unngå å grave i materiale som du mistenker inneholder skjulte spiker eller andre ting som kan føre

til at borekronen binder seg eller går i stykker.

- Vær oppmerksom på maskinens dreiemomentreaksjonskraft. Hold alltid betjeningsposisjonen slik at du kan motstå dreiemomentreaksjonskraften.
- Vær ekstremt forsiktig når du arbeider i skråninger eller ujevne overflate.

**MERKNAD:** Før bruk, kontroller at det ikke sitter fremmedlegemer (sand, skitt osv.) fast i åpningene eller bevegelige deler.

en. Sørg for at føttene er godt plantet over arbeidsflaten og stå med håndtakene nær midjen. Hold godt i høyre håndtak med høyre hånd og venstre håndtak med venstre hånd (fig. C1).

C1-1	Høyre håndtak	C1-2	Venstre håndtak
------	---------------	------	-----------------

**⚠ ADVARSEL:** Hold aldri høyre håndtak med venstre hånd og venstre håndtak med høyre hånd. Feil håndposisjoner kan føre til alvorlige skader (fig. C2).

**⚠ ADVARSEL:** Unngå feil plassering (fig. C3). Ikke stå for langt fra maskinen. Riktig reaksjon og kontroll oppnås kanskje ikke ved tilbakeslag.

b. Hold boreborekronen borte fra kroppen og boreborekronen pekende nedover i en 90° vinkel mot overflaten.

- c. Still inn rotasjonsretning og rotasjonshastighet.
- d. Løft maskinen over overflaten. Trykk og hold inne låseknappen og klem på bryterutløseren.

**⚠ ADVARSEL:** Ikke berør boreboret når produktet er slått på.

- e. La skruen få full hastighet.
- f. Senk borekronen ned i overflaten og oppretthold 90°-vinkelen (fig. C4). La borekronen bite inn i materialet, og la maskinen gjøre jobben.
- g. Når boreboret begynner å fylles med rusk, er det viktig å hele tiden rydde det for å gi et rent kutt og redusere mengden innsats som kreves – mens mateskruen kjører på full hastighet, løft den sakte fra hullet og la rusken fri fra boreborekronen.
- h. Etter å ha brukt denne maskinen, slipp utløserbryteren og la skruen stoppe helt.
- i. Når du forlater maskinen, for eksempel i en pause, må du ikke la maskinen stå i isen eller lene den mot en vegg. Installer bladbeskyttelsen på isborebiten og oppbevar maskinen i en stabil posisjon.

### TIPS FOR BRUK AV ISSUTEREN

- Å trykke for mye på maskinen vil ikke øke hastigheten på gravingen. For høyt trykk vil bare skade spissen på borekronen, redusere maskinens ytelse og forkorte maskinens levetid.
- Når du borer et dypt hull eller borer i leirjord, ikke prøv å grave med en gang. Grav hullet ved å løfte maskinen opp og ned slik at den løse jorda i hullet kan slippes ut.
- Hvis maskinens rotasjonshastighet reduseres på grunn av høy belastning, løft maskinen litt opp, og flytt maskinen opp og ned for å bore i små trinn.
- En fast skruebit kan fjernes ganske enkelt ved å sette skruen i omvendt rotasjon for å rygge ut. Når du rygger, spenn maskinen etter kroppen for å forhindre en reaksjon med klokken.
- Før du arbeider med en isbor på frosne dammer, innsjøer eller damp, sjekk med lokale myndigheter og ta alle nødvendige forholdsregler for å sikre sikker istykkelse.
- Når du tar isborebiten ut av hullet, løft maskinen vertikalt slik at biten kommer rett ut uten å skråstille. For å minimere sprut når du borer ishull, slipp utløserbryteren umiddelbart når isborebiten bryter gjennom isen. Løft maskinen sakte. Dekk til og marker borehull tydelig for å phindre at noen trækker i et hull.

1. Fjern batteripakken fra skruen, og fjern isborebiten fra drivakselen til krafthodet ved å bruke 6 mm unbrakonøkkelen for å løsne og fjerne låseskruen.
2. Bruk vernehansker og fjern isbladbeskyttelsen (fig. D1).
3. Bruk 3 mm unbrakonøkkelen til å løsne og fjerne skruene og isbladene fra isborebiten (Fig. D2).
4. Erstatt med nye kniver og stram dem godt.
5. Installer bladbeskyttelsen.

D1-1	Blade Guard	D1-2	Isblader
D2-1	Skrue	D2-2	Isblad

### OPPBEVARING AV ISSTRØLEN

1. Ta ut batteripakken.
2. Fjern skruebiten fra drivakselen til krafthodet.
3. Rengjør borekronen grundig før du lagrer den.
4. Monter bladbeskyttelsen på isborebiten.
5. Oppbevar borekronen på et tørt, godt ventilert sted, innelåst eller høyt oppe, utilgjengelig for barn. Ikke oppbevar boreboret på eller ved siden av gjødsel, bensin eller andre kjemikalier.

**NO**

## VEDLIKEHOLD

**⚠ ADVARSEL:** For å forhindre alvorlig personskade, fjern batteripakken fra produktet før du utfører service, rengjøring, skifter tilbehør eller fjerner materiale fra enheten.

### GENERELT VEDLIKEHOLD

- Unngå bruk av løsemidler når plastdeler skal rengjøres. De fleste plasttyper kan ta skade av ulike typer løsemidler som er i salg, og kan dermed bli ødelagt. Bruk en ren klut for å fjerne skitt, støv, olje, fett, osv.

**⚠ ADVARSEL:** La ikke på noe tidspunkt bremsevæsker, bensin, petroleumsbaserte produkter, penetrerende oljer osv. komme i kontakt med plastdeler. Kjemikalier kan skade, svekke eller ødelegge plast som kan føre til alvorlig personskade.

### BYTTING AV ISBLADENE

- Hvis isbor hopper på isen eller skjærer sakte gjennom isen når du borer ishull, kan det hende at isbladene må skiftes ut.
- Nødvendig verktøy: 6 mm unbrakonøkkel (følger med), 3 mm unbrakonøkkel (følger ikke med)

### Beskytter miljøet



Elektrisk utstyr, brukte batterier og batteriladere må ikke kastes i husholdningsavfallet! Ta med dette produktet til autorisert gjenvinning, og gjør det tilgjengelig for separat innsamling. Elektriske verktøy må returneres til et miljøvennlig gjenvinningsanlegg.

## FEILSØKING

PROBLEM	ÅRSAKEN	LØSNING
Maskinen starter ikke eller stopper uventet.	<ul style="list-style-type: none"> <li>■ Lav batteripakkekapasitet.</li> <li>■ Batteripakken er overopphetet eller for kald.</li> <li>■ Høyre håndtaks-kabel er ikke riktig koblet til strømhodekabelen.</li> </ul>	<ul style="list-style-type: none"> <li>■ Lad batteripakken.</li> <li>■ Vent til batteripakken har kjølt seg ned eller varmes opp, da kan skruen startes igjen.</li> <li>■ Koble til kablene til høyre håndtak og strømhodet ved å følge avsnittet "INSTALLERE HÅNDTAKENE" i bruksanvisningen til strømhodet PHA7400E.</li> </ul>
Isbor hopper på isen eller skjærer sakte gjennom isen.	<ul style="list-style-type: none"> <li>■ Noen deler er løse.</li> </ul>	<ul style="list-style-type: none"> <li>■ Stopp skruen, fjern batteripakken, kontroller og stram løse deler.</li> </ul>
Skruens rotasjonsretning eller hastighet endres ikke etter å ha trykket på rotasjonsretnings-/hastighetsvelgeren.	<ul style="list-style-type: none"> <li>■ Løs borebit.</li> </ul>	<ul style="list-style-type: none"> <li>■ Installer skruerbiten på nytt ved å følge avsnittet "INSTALLERE ISSKRUEBITEN" i denne håndboken.</li> </ul>
Ice auger jumps on the ice or cuts slowly through the ice.	<ul style="list-style-type: none"> <li>■ Bladene er sløve eller skadet.</li> </ul>	<ul style="list-style-type: none"> <li>■ Bytt ut med nye blader ved å følge avsnittet "SKIFTING AV ISBLADENE" i denne håndboken.</li> </ul>
The auger rotation direction or speed is not switched after pushing the rotation direction/speed selector.	<ul style="list-style-type: none"> <li>■ Det er kun mulig å bytte rotasjonsretning mellom forover og bakover når skruen er stoppet.</li> <li>■ Andre uidentifiserte årsaker.</li> </ul>	<ul style="list-style-type: none"> <li>■ Stopp skruen helt, skyv rotasjonsretnings-/hastighetsvelgeren til ønsket rotasjon og start deretter skruen igjen.</li> <li>■ Kontakt EGO-service for reparasjon.</li> </ul>

NO

## GARANTI

### EGO GARANTIPOLITIK

Besøk nettstedet [egopowerplus.eu](http://egopowerplus.eu) for fullstendige vilkår og betingelser for EGOs garantipolicy.

## ПРОЧИТАЙТЕ ВСЕ ИНСТРУКЦИИ!



**ПРОЧИТАЙТЕ РУКОВОДСТВО ПОЛЬЗОВАТЕЛЯ**

**⚠ ПРЕДУПРЕЖДЕНИЕ.** Для обеспечения безопасности и надежности устройства его ремонт должен выполнять квалифицированный специалист.

## СИМВОЛЫ БЕЗОПАСНОСТИ

Символы безопасности предназначены для привлечения внимания к возможным рискам. Символы безопасности, а также пояснения к ним, требуют особого внимания и понимания. Предупреждения по технике безопасности сами по себе не устраняют опасность. Инструкции и предупреждения не заменяют соответствующие меры по предотвращению несчастных случаев.

**⚠ ПРЕДУПРЕЖДЕНИЕ.** Перед использованием устройства внимательно прочитайте все инструкции в данном руководстве пользователя и ознакомьтесь с предупреждающими символами безопасности, такими как «ОПАСНОСТЬ», «ПРЕДУПРЕЖДЕНИЕ» и «ВНИМАНИЕ». Несоблюдение всех приведенных ниже инструкций может привести к поражению электрическим током, возникновению пожара и (или) получению серьезных травм.

## ИНСТРУКЦИЯ ПО ТЕХНИКЕ БЕЗОПАСНОСТИ

Далее приведено изображение и описание символов безопасности, которые могут присутствовать на данном устройстве. Перед сборкой или использованием внимательно прочитайте все инструкции, приведенные на устройстве, и соблюдайте их.

RU



Предупреждение об опасности.



Прочитайте руководство по эксплуатации, чтобы уменьшить риск получения травм.



Используйте защитные очки.



Используйте средства защиты органов слуха.



Неисправные электрические устройства нельзя выбрасывать вместе с бытовым мусором. Сдавайте их в авторизованные пункты сбора и утилизации.



Соответствует основным требованиям стандартов безопасности Европейских директив.



Постоянный ток



Данное изделие соответствует действующему законодательству Великобритании.

V

Напряжение

kg

Килограмм

°C

Градус Цельсия

mm

Миллиметр

/min

Оборотов в минуту

IPX4

Защита от брызг воды

## ОБЩИЕ ПРАВИЛА ТЕХНИКИ БЕЗОПАСНОСТИ ПРИ ИСПОЛЬЗОВАНИИ УСТРОЙСТВА

**⚠ ПРЕДУПРЕЖДЕНИЕ.** Прочитайте все правила безопасности, инструкции, иллюстрации и спецификации, прилагаемые к этому устройству.

Невыполнение изложенных ниже инструкций может привести к поражению электрическим током, пожару и (или) тяжелым травмам.

Сохраните все предупреждения и инструкции для использования в будущем.

### Безопасность рабочего места

- Обеспечьте чистоту и освещенность рабочего места. Загроможденные и плохо освещенные места служат причиной несчастных случаев.
- Не используйте устройство во взрывоопасных местах, например вблизи горючих жидкостей, бензина или пыли. Устройство генерирует искры, которые могут воспламенить пыль или испарения.
- Не позволяйте детям и посторонним находиться вблизи работающего устройства. Отвлекающие факторы могут привести к потере контроля.

### Электробезопасность

- Вилка устройства должна соответствовать розетке. Никогда не переделывайте вилку. Не используйте никакие переходники для вилок заземленных устройств. Использование оригинальных вилок и соответствующих им розеток уменьшает риск поражения электрическим током.
- Избегайте прикосновений к заземленным объектам, таким как трубы, радиаторы, плиты и холодильники. Риск поражения электрическим током выше, когда тело заземлено.
- Не подвергайте устройство воздействию дождя или влажности. При попадании воды в устройство увеличивается риск поражения электрическим током.
- Обращайтесь с кабелем аккуратно. Никогда не переносите, не тяните и не выключайте устройство за кабель. Держите кабель подальше от источников тепла, масла, острых предметов и движущихся частей. Поврежденные и запутанные кабели повышают риск поражения электрическим током.

- Для работы с устройством вне помещения используйте предназначенный для этого удлинительный кабель. Использование кабеля, подходящего для использования вне помещения, снижает риск поражения электрическим током.
- Если использование электроинструмента в сыром месте неизбежно, подключайте его через выключатель короткого замыкания на землю (ВКЗЗ). Использование ВКЗЗ уменьшает риск поражения электрическим током.

### Личная безопасность

- При использовании устройства будьте бдительны, следите за своими действиями и следуйте здравому смыслу. Не пользуйтесь устройством, если вы устали или находитесь под воздействием наркотиков, алкоголя или медикаментов. Даже кратковременная невнимательность при работе с устройством может привести к тяжелым травмам.
- Используйте средства индивидуальной защиты. Всегда используйте защитные средства для глаз. Использование защитных средств, таких как респиратор, нескользкая защитная обувь, каска и средства защиты органов слуха в соответствующих условиях уменьшает риск получения травм.
- Не допускайте непредвиденных запусков. Перед подключением устройства к сети питания (или аккумулятору) и перед его переноской убедитесь, что выключатель находится в выключенном положении. Не держите палец на выключателе при переноске устройства и не подключайте к источнику питания, если устройство включено. Это может привести к несчастному случаю.
- Перед включением устройства снимите с него регулировочные инструменты и гаечные ключи. Регулировочный инструмент или гаечный ключ, оставленный на вращающейся части устройства, может стать причиной травмы.
- Не тянитесь. Всегда сохраняйте устойчивое положение и равновесие. Это позволит лучше контролировать устройство в непредвиденных ситуациях.
- Одевайтесь надлежащим образом. Не надевайте свободную одежду и украшения. Держите волосы и одежду подальше от движущихся частей. Свободная одежда, украшения и длинные волосы могут попасть в движущиеся части.

RU

- При наличии устройств для отвода и сбора пыли убедитесь, что они подключены и правильно работают. Использование пылеулавливающих устройств снижает вред, причиняемый пылью.
- Не допускайте небрежности, которая может возникнуть из-за частого использования устройства и повлечь за собой самоуверенность и игнорирование правил безопасности. Неосторожное действие может причинить серьезную травму за доли секунды.

#### Эксплуатация и обслуживание устройства

- Не прилагайте к устройству чрезмерных усилий. Используйте подходящее для ваших задач устройство. Правильно выбранное устройство более эффективно и безопасно при номинальной нагрузке.
- Не используйте устройство, если его выключатель неисправен. Устройство с неисправным выключателем опасно и подлежит ремонту.
- Перед регулировкой, сменой аксессуаров или хранением отключите устройство от сети питания и (или) извлеките аккумулятор, если это возможно. Такие меры предосторожности уменьшают риск случайного запуска устройства.
- Храните неиспользуемое устройство в недоступном для детей месте и не доверяйте устройство лицам, не знакомым с ним и с этими инструкциями. Такие устройства опасны в руках неподготовленных пользователей.
- Выполняйте техническое обслуживание устройства и принадлежностей. Проверьте выравнивание и сцепление подвижных деталей, наличие поломок и прочие условия, которые могут повлиять на работу устройства. Если устройство повреждено, перед использованием его необходимо отремонтировать. Многие несчастные случаи вызваны неправильным техобслуживанием устройств.
- Храните режущие устройства в чистоте и заточенном состоянии. Правильно обслуживаемые и хорошо заточенные режущие устройства меньше заклинивают и лучше контролируются.
- Используйте устройство, аксессуары, насадки и т. п. в соответствии с этими инструкциями, учитывая условия и специфику выполняемой работы. Использование устройства для выполнения непредусмотренных операций может привести к опасным ситуациям.
- Следите за тем, чтобы рукоятки и поверхности захвата были сухими и чистыми и на них не было масла или смазочного материала. Скользкие рукоятки и поверхности захвата не позволяют безопасно использовать устройство и контролировать его в непредвиденных ситуациях.

#### Эксплуатация и обслуживание аккумуляторного устройства

- Заряжайте аккумуляторы только с помощью зарядного устройства, указанного изготовителем. Зарядное устройство, предназначенное для одного типа аккумуляторных батарей, может стать причиной пожара при использовании с другим типом батарей.
- Используйте устройство только со специально предназначенными для него аккумуляторами. Использование любого другого вида аккумуляторных батарей может стать причиной несчастных случаев или пожара.
- Когда аккумулятор не используется, храните его отдельно от металлических предметов — канцелярских скрепок, монет, ключей, гвоздей, винтов и др. — они могут соединить контакты. Короткое замыкание контактов аккумуляторной батареи может стать причиной ожогов или пожара.
- При неблагоприятных обстоятельствах из аккумулятора может потечь электролит; избегайте контакта с ним. При случайном контакте промойте водой. Если жидкость попала в глаза, обратитесь к врачу. Жидкость из аккумуляторной батареи может вызвать раздражение и ожоги.
- Не используйте аккумулятор и устройство, если они повреждены или подвергались модификациям. Поведение поврежденных или модифицированных аккумуляторов может быть непредсказуемым, что приведет к возгоранию, взрыву и риску получения травм.
- Не подвергайте аккумуляторную батарею и устройство воздействию огня и высокой температуры. Воздействие огня или температуры выше 130 °C может привести к взрыву.
- Следуйте всем инструкциям по зарядке и не заряжайте аккумулятор и устройство при температуре, выходящей за пределы указанного диапазона. Если зарядка выполняется неправильно или в условиях неподходящей температуры, это может привести к повреждению аккумулятора и возгоранию.

## Ремонт

- Ремонт устройства должен производиться квалифицированным специалистом с использованием только идентичных запасных частей. Это обеспечит безопасную работу устройства.
- Никогда не выполняйте обслуживание поврежденного аккумулятора. Обслуживание аккумуляторов должно выполняться только производителем или в авторизованном сервисном центре.

## ИНСТРУКЦИИ ПО ТЕХНИКЕ БЕЗОПАСНОСТИ ПРИ РАБОТЕ С ЛЕДОБУРОМ

- Замените бур, если он треснул, погнулся или получил какие-либо повреждения. Эксплуатация устройства с поврежденным буром может привести к серьезной травме.
- Никогда не используйте устройство, если его рукоятки расположены выше уровня пояса. Это ограничивает управление и может увеличить риск получения травмы.
- Держите устройство за рукоятки обеими руками. Потеря контроля может привести к получению травмы.
- При выполнении работ, в ходе которых бур может касаться скрытой электропроводки, держите инструмент за изолированные поверхности. Касание буром проводки под напряжением может передать напряжение на металлические части устройства и привести к поражению оператора электрическим током.
- Для снижения риска поражения электрическим током никогда не используйте бур вблизи проложенных в земле кабелей электропитания. Контакт с такими кабелями или использование устройства рядом с ними может привести к серьезной травме или смертельному поражению электрическим током.
- Всегда запускайте устройство на низкой скорости, при этом конец бура должен касаться земли. При вращении с высокой скоростью без контакта с землей бур может согнуться, что приведет к травме.
- Прикладывайте давление только по прямой линии относительно бура и не давите слишком сильно. Бур может согнуться, что приведет к поломке, потере контроля и травмам.
- Всегда сохраняйте устойчивое положение. При

работе на высоте следите, чтобы никого не было внизу.

- Крепко удерживайте устройство.
- Берегите руки от вращающихся частей.
- Не оставляйте устройство во включенном состоянии. Используйте и включайте устройство только когда оно находится в руках.
- Не прикасайтесь к буру сразу после выполнения работы. Он может быть очень горячим, что приведет к ожогам.
- Если с устройством что-то не так, например раздаются ненормальные звуки, немедленно прекратите работу и обратитесь в местный сервисный центр для ремонта.
- Чтобы снизить риск взрыва, никогда не используйте бур вблизи проложенных в земле газопроводов, водопроводов и других труб. Контакт с проложенными в земле трубами может привести к повреждению водопровода или взрыву газопровода и стать причиной серьезных травм или смерти.
- Никогда не превышайте максимальную скорость работы бура. При вращении с высокой скоростью без контакта с рабочей поверхностью бур может согнуться, что приведет к травме.
- Работающие от аккумуляторов устройства не требуется подключать к розетке электросети, поэтому они всегда готовы к использованию. Помните о возможности возникновения опасных ситуаций даже когда устройство не используется. Соблюдайте осторожность при выполнении технического обслуживания или ремонта.
- Не мойте устройство из шланга. Избегайте попадания воды в двигатель и электрические соединения.
- Режущие элементы очень острые. Будьте предельно осторожны при бурении отверстий и замене режущих элементов. Надевайте защитный кожух после каждого использования.
- Регулярно проверяйте наличие стопорного винта и надежность его фиксации.
- Используйте только указанные аккумуляторы и зарядные устройства.

Сохраните настоящую инструкцию. Регулярно просматривайте ее и предоставляйте для ознакомления другим пользователям. Одалживая кому-либо устройство, передайте также данную инструкцию для предотвращения неправильного использования и возможных травм.

RU

## ТЕХНИЧЕСКИЕ ХАРАКТЕРИСТИКИ

Диаметр бура/отверстия	200 мм	
Максимальная глубина бурения	990 мм	
Масса (без аккумулятора)	3,7 кг	
Рекомендуемая рабочая температура	От -20 °C до 40 °C	
Рекомендуемая температура хранения	От -40 °C до 70 °C	
Уровень звуковой мощности $L_{WA}$	97,6 дБ (А) K=3 дБ (А)	
Уровень звукового давления $L_{PA}$	89,6 дБ (А) K=3 дБ (А)	
Вибрация $a_h$	Правая рукоятка	2,52 $m/c^2$ K=1,5 $m/c^2$
	Левая рукоятка	2,45 $m/c^2$ K=1,5 $m/c^2$

- Указанное общее значение вибрации было определено с помощью стандартного теста и может быть использовано для сравнения разных устройств.
- Указанное общее значение вибрации также может использоваться для предварительной оценки уровня воздействия.

**ПРИМЕЧАНИЕ.** Реальное вибрационное воздействие устройства может отличаться от указанного в зависимости от способа использования. В целях безопасности оператор должен надевать перчатки и средства защиты органов слуха во время использования устройства.

## РЕКОМЕНДУЕМЫЕ ПРИНАДЛЕЖНОСТИ

**⚠ ПРЕДУПРЕЖДЕНИЕ.** Используйте только аксессуары, перечисленные ниже. Использование аксессуаров с другими характеристиками может привести к снижению эффективности работы и безопасности устройства.

НАЗВАНИЕ	НОМЕР МОДЕЛИ
Режущий элемент ледобура	AB08001

## КОМПЛЕКТ ПОСТАВКИ (РИС. А)

## ОПИСАНИЕ

## ЧАСТИ ЛЕДОБУРА (РИС. А)

1. Ледобур
2. Стопорный винт
3. Защитный кожух
4. Режущий элемент
5. Шестигранный ключ (6 мм)

## СБОРКА

### УСТАНОВКА ЛЕДОБУРА

**⚠ ПРЕДУПРЕЖДЕНИЕ.** Бур очень острый. Во избежание травм соблюдайте крайнюю осторожность при очистке, установке и снятии бура. При работе с буром всегда надевайте защитные перчатки.

- 1 Ослабьте и снимите стопорный винт с ледобура.
- 2 Установите верхний конец бура на вал приводного блока (Рис. В1).
- 3 Совместите соединительные отверстия бура и приводного вала.
- 4 Закрепите бур на приводном валу с помощью стопорного винта. С помощью прилагаемого шестигранного ключа 6 мм надежно затяните стопорный винт (Рис. В2).

В1-1	Приводной вал	В1-2	Верхний конец ледобура
В2-1	Приводной вал	В2-2	Стопорный винт
В2-3	Плоская сторона		

**ПРИМЕЧАНИЕ.** Убедитесь, что стопорный винт вставлен в соединительные отверстия с плоской стороны отверстия бура.

## ИСПОЛЬЗОВАНИЕ

### ПРИМЕНЕНИЕ

Данное устройство можно использовать в следующих целях.

- Бурение отверстий во льду с помощью бура.

### ЗАПУСК И ОСТАНОВКА ЛЕДОБУРА

См. раздел «ВКЛЮЧЕНИЕ И ВЫКЛЮЧЕНИЕ ПРИВОДНОГО БЛОКА» в руководстве пользователя приводного блока РНА7400Е.

**ПРИМЕЧАНИЕ.** Перед началом работы наденьте защитные перчатки и снимите защитный кожух.

### РАБОТА С ЛЕДОБУРОМ

RU

## ⚠ ПРЕДУПРЕЖДЕНИЕ.

- Во избежание контакта с подземными коммуникациями перед использованием устройства обратитесь в местные коммунальные службы для получения маркировки подземных коммуникаций.
- Используйте ледобур только по прямому назначению.
- Используйте ледобур только для сверления отверстий во льду.
- Избегайте бурения материала, предположительно содержащего скрытые гвозди или другие предметы, которые могут привести к заеданию или поломке бура.
- Обращайте внимание на силу реакции инструмента на крутящий момент. Всегда сохраняйте рабочее положение, в котором сможете выдержать силу реакции крутящего момента.
- Будьте особенно внимательны при работе на склонах и неровной поверхности.

RU

**ПРИМЕЧАНИЕ.** Перед эксплуатацией убедитесь, что в отверстиях и движущихся частях нет посторонних предметов (песка, грязи и т. д.).

- a. Убедитесь, что ноги крепко стоят на рабочей поверхности, и держите рукоятки близко к талии. Крепко держитесь правой рукой за правую рукоятку, а левой рукой — за левую (Рис. С1).

C1-1	Правая рукоятка	C1-2	Левая рукоятка
------	-----------------	------	----------------

**⚠ ПРЕДУПРЕЖДЕНИЕ.** Никогда не держитесь за правую рукоятку левой рукой и за левую — правой. Неправильное положение рук может стать причиной серьезной травмы (Рис. С2).

**⚠ ПРЕДУПРЕЖДЕНИЕ.** Избегайте неправильного положения (Рис. С3). Не стойте слишком далеко от устройства. В случае отдачи такое положение не обеспечивает правильную реакцию и контроль.

- b. Держите бур подальше от тела. Направляйте бур вниз под углом 90° к поверхности.
- c. Задайте направление и скорость вращения.
- d. Поднимите инструмент над поверхностью. Нажмите и удерживайте кнопку блокировки, затем нажмите на курковый переключатель.

**⚠ ПРЕДУПРЕЖДЕНИЕ.** Не прикасайтесь к буру, когда устройство включено.

- e. Дайте буру набрать полную скорость.
- f. Погрузите бур в поверхность, сохраняя угол 90° (Рис. С4). Позвольте устройству выполнить

работу.

- g. Бур будет постепенно заполняться мусором, поэтому важно постоянно очищать его, чтобы получить чистое отверстие и уменьшить количество требуемых усилий. Когда бур работает на полной скорости, медленно поднимайте его из отверстия, чтобы он очистился от мусора.
- h. После завершения работы отпустите курковый переключатель и дайте буру полностью остановиться.
- i. Отходя от устройства (например, во время перерыва), не оставляйте бур во льду и не прислоняйте устройство к стене. Установите защитный кожух на ледобур и храните устройство в устойчивом положении.

## СОВЕТЫ ПО ИСПОЛЬЗОВАНИЮ ЛЕДОБУРА

- Чрезмерное давление на устройство не ускорит бурение. Это может привести к повреждению наконечника бура, снижению производительности устройства и сокращению срока его службы.
- При бурении глубокого отверстия или бурении в глинистой почве не пытайтесь пробурить сразу. В процессе бурения перемещайте устройство вверх и вниз, чтобы рыхлая почва извлекалась из отверстия.
- Если скорость вращения замедляется из-за высокой нагрузки, немного приподнимите устройство, а затем перемещайте его вверх и вниз, чтобы бурить постепенно.
- Чтобы извлечь застрявший бур, просто переключите его в режим обратного вращения. При вращении в обратную сторону крепко удерживайте устройство, чтобы предотвратить движение по часовой стрелке.
- Прежде чем работать с ледобуром на замерзших прудах, озерах или реках, проконсультируйтесь с местными властями относительно толщины льда и примите все необходимые меры предосторожности.
- При извлечении ледобура из лунки поднимайте устройство вертикально, чтобы бур выходил прямо, без наклона. Чтобы свести к минимуму разбрызгивание при бурении льда, отпустите курковый переключатель сразу после того, как бур пробьет лед. Медленно поднимите устройство. Накройте и четко обозначьте отверстие, чтобы никто не провалился в него.

## ОБСЛУЖИВАНИЕ

**⚠ ПРЕДУПРЕЖДЕНИЕ.** Чтобы предотвратить получение серьезных травм, извлекайте аккумулятор перед выполнением сервисного обслуживания, очистки, замены принадлежностей или удаления материала из устройства.

### ОБЩЕЕ ОБСЛУЖИВАНИЕ

Не используйте растворители для очистки пластиковых частей. Большинство пластиковых частей чувствительны к различным бытовым растворителям и могут быть повреждены. Для очистки от грязи, пыли, масла, смазки и т. п. используйте чистую ткань.

**⚠ ПРЕДУПРЕЖДЕНИЕ.** Не допускайте попадания на пластиковые части тормозной жидкости, бензина, продуктов на нефтяной основе, пропитывающих масел и т. д. Химические вещества могут повредить, ослабить или разрушить пластик, что приведет к получению серьезных травм.

### ЗАМЕНА РЕЖУЩИХ ЭЛЕМЕНТОВ ЛЕДОБУРА

Если ледобур прыгает на льду или медленно прорезает лед при бурении лунок, возможно, требуется замена режущих элементов.

Необходимые инструменты: шестигранный ключ 6 мм (входит в комплект), шестигранный ключ 3 мм (не входит в комплект)

1. Отсоедините аккумулятор и снимите ледобур с вала приводного блока. Используйте шестигранный ключ 6 мм, чтобы ослабить и снять стопорный винт.
2. Наденьте защитные перчатки и снимите защитный кожух (Рис. D1).
3. С помощью шестигранного ключа 3 мм ослабьте и снимите винты и режущие элементы (Рис. D2).
4. Установите новые режущие элементы и надежно затяните их.
5. Установите защитный кожух.

D1-1	Защитный кожух	D1-2	Режущие элементы
D2-1	Винт	D2-2	Режущий элемент

### ХРАНЕНИЕ ЛЕДОБУРА

1. Извлеките аккумулятор.
2. Снимите бур с вала приводного блока.
3. Тщательно очистите бур перед хранением.
4. Установите защитный кожух на ледобур.

5. Храните бур в сухом, хорошо проветриваемом, закрытом или высоком месте, недоступном для детей. Не храните рядом с удобрениями, бензином или другими химическими веществами.

### Защита окружающей среды



Не выбрасывайте электроприборы, зарядные устройства и аккумуляторные батареи вместе с бытовыми отходами! Отправьте данное изделие на переработку в специализированное предприятие или сдайте его для раздельного сбора. Электроинструменты должны быть возвращены на перерабатывающее предприятие, не наносящее ущерба окружающей среде.

RU

## УСТРАНЕНИЕ НЕПОЛАДOK

ПРОБЛЕМА	ПРИЧИНА	РЕШЕНИЕ
Устройство не запускается или неожиданно останавливается.	<ul style="list-style-type: none"> <li>■ Низкий заряд аккумулятора.</li> <li>■ Аккумулятор слишком горячий или слишком холодный.</li> <li>■ Кабель правой рукоятки неправильно подключен к кабелю приводного блока.</li> </ul>	<ul style="list-style-type: none"> <li>■ Зарядите аккумулятор.</li> <li>■ Дайте аккумулятору остыть или нагреться до нормальной температуры, затем снова запустите устройство.</li> <li>■ Подсоедините кабели правой рукоятки и приводного блока в соответствии с инструкциями в разделе «УСТАНОВКА РУКОЯТОК» руководства по эксплуатации приводного блока PNA7400E.</li> </ul>
Слишком сильный шум и (или) вибрация во время работы.	<ul style="list-style-type: none"> <li>■ Некоторые детали ослаблены.</li> </ul>	<ul style="list-style-type: none"> <li>■ Остановите бур и извлеките аккумулятор. Проверьте и затяните незакрепленные детали.</li> </ul>
Двигатель работает, но бур остается неподвижным.	<ul style="list-style-type: none"> <li>■ Бур плохо закреплен.</li> </ul>	<ul style="list-style-type: none"> <li>■ Установите бур в соответствии с инструкциями в разделе «УСТАНОВКА ЛЕДОБУРА» в данном руководстве.</li> </ul>
Ледобур подпрыгивает на льду или медленно прорезает его.	<ul style="list-style-type: none"> <li>■ Режущие элементы затупились или повреждены.</li> </ul>	<ul style="list-style-type: none"> <li>■ Установите новые режущие элементы в соответствии с инструкциями в разделе «ЗАМЕНА РЕЖУЩИХ ЭЛЕМЕНТОВ ЛЕДОБУРА» настоящего руководства.</li> </ul>
Направление или скорость вращения бура не изменяются после нажатия переключателя направления/скорости вращения.	<ul style="list-style-type: none"> <li>■ Переключение направления вращения между передним и задним ходом возможно только при остановленном устройстве.</li> <li>■ Другие неустановленные причины.</li> </ul>	<ul style="list-style-type: none"> <li>■ Полностью остановите бур, переведите переключатель направления/скорости вращения в желаемое положение, а затем снова запустите устройство.</li> <li>■ Обратитесь в сервисный центр EGO для ремонта.</li> </ul>

RU

## ГАРАНТИЯ

### ГАРАНТИЙНАЯ ПОЛИТИКА EGO

Посетите веб-сайт [egopowerplus.eu](http://egopowerplus.eu), чтобы ознакомиться со всеми условиями и сроками гарантийной политики EGO.

## PRZECZYTAJ WSZYSTKIE INSTRUKCJE!



### PRZECZYTAJ INSTRUKCJĘ OPERATORA

**⚠ OSTRZEŻENIE:** Aby zagwarantować bezpieczeństwo i niezawodność, wszystkie naprawy powinny być wykonywane przez wykwalifikowanych techników serwisu.

## SYMBOL BEZPIECZEŃSTWA

Celem symboli bezpieczeństwa jest zwrócenie uwagi użytkownika na możliwe zagrożenia. Symbole bezpieczeństwa i objaśnienia do nich zasługują na to, aby je uważnie przestudiować i zrozumieć. Symbole bezpieczeństwa nie eliminują same z siebie jakichkolwiek zagrożeń. Podawane w nich instrukcje i ostrzeżenia nie zastępują odpowiednich środków zapobiegania wypadkom.

**⚠ OSTRZEŻENIE:** Przed użyciem narzędzia należy koniecznie przeczytać ze zrozumieniem wszystkie instrukcje dotyczące bezpieczeństwa podane w podręczniku użytkownika, łącznie z wszystkimi symbolami ostrzegawczymi takimi jak „NIEBEZPIECZEŃSTWO”, „OSTRZEŻENIE” i „OSTROŻNIE”. Niestosowanie się do wszystkich podanych niżej instrukcji może doprowadzić do porażenia prądem, pożaru i/lub poważnych urazów ciała.

## INSTRUKCJE DOTYCZĄCE BEZPIECZEŃSTWA

Na tej stronie pokazano i opisano symbole bezpieczeństwa, które mogą występować na produkcie. Przed podjęciem próby złożenia i użycia maszyny należy przeczytać i zrozumieć wszystkie instrukcje dotyczące maszyny oraz zastosować się do nich.

**PL**


Ostrzeżenie dotyczące bezpieczeństwa



Aby ograniczyć ryzyko urazów, użytkownik musi przeczytać instrukcję operatora.



Noś okulary ochronne



Noś ochronniki słuchu



Zużytych wyrobów elektrycznych nie należy wyrzucać razem ze zwykłymi odpadami domowymi. Należy je oddać do autoryzowanego punktu recyklingu.



Ten produkt jest zgodny z obowiązującymi dyrektywami WE.



Prąd stały



Produkt jest zgodny z dyrektywami obowiązującymi w Wielkiej Brytanii.

V

Napięcie

kg

Kilogram

°C

Celsjusz

mm

Milimetr

/min

Obroty na minutę

IPX4

Zabezpieczenie przed zachlapaniem wodą

## OGÓLNE WSKAZÓWKI DOTYCZĄCE BEZPIECZEŃSTWA UŻYWANIA MASZINY

**⚠️ OSTRZEŻENIE:** Prosimy przeczytać wszystkie ostrzeżenia i instrukcje oraz przestudiować specyfikację i ilustracje dostarczone wraz z maszyną. Niestosowanie się do wszystkich podanych niżej instrukcji może doprowadzić do porażenia prądem, pożaru i/lub poważnych obrażeń.

Wszystkie ostrzeżenia i instrukcje należy zachować na przyszłość.

### Bezpieczeństwo w miejscu pracy

- Należy dbać o czystość i dobre oświetlenie w miejscu pracy. Bałagan i złe oświetlenie sprzyjają wypadkom.
- Maszyn nie należy używać w miejscach zagrożonych wybuchem, np. w obecności łatwopalnych cieczy, gazów lub pyłu. Maszyny wytwarzają iskry, które mogą zapalić pył lub opary.
- W czasie pracy maszynę należy trzymać z dala od dzieci i osób postronnych. Chwila nieuwagi może spowodować utratę kontroli nad urządzeniem.

### Bezpieczeństwo elektryczne

- Wtyczki maszyny muszą pasować do gniazdka. Nigdy w jakikolwiek sposób nie wolno przerabiać wtyczki. Do maszyn wymagających uziemienia nie należy używać przejściówek. Originalne wtyczki i pasujące do nich gniazdka zmniejszają ryzyko porażenia prądem.
- Należy unikać dotykania ciałem powierzchni uziemionych, takich jak np. rury, kaloryfery, kuchenki i lodówki. Uziemienie ciała zwiększa ryzyko porażenia prądem.
- Maszyny należy chronić przed deszczem i wilgocią. Woda dostająca się do maszyny zwiększa ryzyko porażenia prądem.
- Nie należy nadwyręzać przewodu. Nigdy nie należy używać przewodu do noszenia lub ciągnięcia maszyny; nie wolno chwycić za przewód, aby wyjąć wtyczkę z kontaktu. Przewód należy chronić przed gorącym, ropą, olejem, ostrymi krawędziami i poruszającymi się częściami. Zaplątane lub uszkodzone przewody zwiększają ryzyko porażenia prądem.
- Podczas używania maszyny na dworze należy stosować przedłużacz nadający się do używania na dworze. Używanie przewodu przeznaczonego do stosowania na dworze zmniejsza ryzyko porażenia prądem.

- Jeżeli użycie maszyny w miejscu o dużej wilgotności jest nieuniknione, należy stosować zasilanie zabezpieczone wyłącznikiem różnicowoprądowym. Używanie wyłącznika różnicowoprądowego zmniejsza ryzyko porażenia prądem.

### Bezpieczeństwo osobiste

- Podczas używania maszyny należy zachowywać czujność, patrzeć, co się robi i kierować się zdrowym rozsądkiem. Nie należy używać maszyny, gdy użytkownik jest zmęczony, albo pod wpływem narkotyków, alkoholu lub leków. Chwila nieuwagi w czasie posługiwania się maszyną może spowodować poważne urazy.
- Należy używać środków ochrony osobistej. Należy zawsze nosić okulary ochronne. Stosowanie w odpowiednich warunkach sprzętu ochronnego takiego jak np. maska przeciwpyłowa, obuwie ochronne z podeszwami antypoślizgowymi, kask lub ochronniki słuchu zmniejszy ewentualne obrażenia.
- Nie należy dopuszczać do przypadkowego włączenia. Należy pilnować, aby przed podłączeniem maszyny do zasilania i/lub baterii akumulatorowej oraz przed podniesieniem i przenoszeniem przełącznik był ustawiony w pozycji „wyłączone”. Trzymanie palca na przełączniku włączającym w czasie przenoszenia maszyn lub podłączanie ich do zasilania, gdy przełącznik ustawiony jest w pozycji „włączone”, może doprowadzić do wypadku.
- Przed włączeniem maszyny należy usunąć wszystkie klucze regulacyjne i inne narzędzia. Klucz zaczepiony o obracającą się część maszyny może spowodować obrażenia.
- Nie należy sięgać za daleko. Należy zawsze dbać o utrzymanie równowagi i pewne podparcie nóg. W nieprzewidzianych sytuacjach zapewnia to lepszą kontrolę nad maszyną.
- Należy nosić odpowiednią odzież. Nie powinno się nosić luźnych ubrań ani biżuterii. Włosy i odzież należy trzymać w bezpiecznej odległości od poruszających się części. Luźne ubrania, biżuteria lub długie włosy mogą zaczepić się o poruszające się części.
- Jeżeli urządzenie jest przystosowane do podłączania do odsysacza pyłu i urządzenia zbierającego, należy dopilnować, aby systemy te były podłączone i właściwie stosowane. Używanie systemów służących do pochłaniania pyłu może zmniejszyć zagrożenia związane z pyłem.

- **Nie wolno dopuścić do tego, aby poczucie znajomości maszyn wynikające z ich częstego używania doprowadziło do lekceważenia i ignorowania zasad bezpieczeństwa.** Jedno lekkomyślne działanie może w ułamku sekundy doprowadzić do ciężkich urazów.

#### Używanie i utrzymanie maszyny

- **Maszyny nie należy forsować. Należy używać maszyny odpowiedniej do wykonywanej pracy.** Odpowiednia maszyna wykona pracę lepiej i bezpieczniej, gdy pozwoli się jej pracować z prędkością/obrotami do jakich została zaprojektowana.
- **Nie należy używać maszyny, jeżeli przełącznik zasilania nie włącza jej lub nie wyłącza.** Maszyna, której nie da się kontrolować przełącznikiem, jest potencjalnie niebezpieczna i wymaga naprawy.
- **Przed przystąpieniem do regulacji maszyny oraz przed wymianą akcesoriów lub odłożeniem maszyny na miejsce, należy odłączyć ją od zasilania i/lub wyjąć akumulator.** Tego typu zapobiegawcze środki ostrożności zmniejszają ryzyko przypadkowego włączenia się maszyny.
- **Nie używane maszyny należy przechowywać w miejscu niedostępnym dla dzieci. Nie wolno dopuszczać do obsługi maszyny przez osoby, które nie znają maszyny lub nie zapoznaly się z niniejszą instrukcją.** W rękach nieprzeszkolonych użytkowników maszyny mogą stanowić zagrożenie.
- **Maszyny i akcesoria należy utrzymywać w dobrym stanie. Należy kontrolować, czy części ruchome nie są odchylone od osi, nie zacinają się i nie są pęknięte lub uszkodzone w inny sposób, który mógłby wpłynąć na działanie maszyny. Jeśli maszyna jest uszkodzona, przed użyciem należy ją naprawić.** Wiele wypadków wynika ze złej konserwacji maszyn.
- **Należy dbać o czystość i naostrzenie maszyn tnących.** Odpowiednio utrzymane maszyny tnące z ostrymi krawędziami tnącymi są mniej narażone na zakleszczanie się i łatwiej jest je kontrolować.
- **Maszyny, akcesoriów, wiertel, bitów, itp. należy używać zgodnie z niniejszą instrukcją, z uwzględnieniem warunków i rodzaju wykonywanej pracy.** Korzystanie z maszyny niezgodnie z przeznaczeniem może doprowadzić do niebezpiecznych sytuacji.
- **Należy dbać o to, aby uchwyty i powierzchnie do trzymania były suche, czyste i niezaplamione olejem lub smarem.** Śliskie uchwyty nie pozwalają w bezpieczny sposób kontrolować maszyny w nieprzewidywanych sytuacjach.

#### Używanie i utrzymanie maszyny akumulatorowej

- **Do ładowania należy używać wyłącznie ładowarki wskazanej przez producenta.** Użycie ładowarki pochodzącej od jednego akumulatora do ładowania innego akumulatora grozi pożarem.
  - **Maszyny należy używać wyłącznie z dedykowanymi do nich akumulatorami.** Użycie jakichkolwiek innych akumulatorów grozi obrażeniami i pożarem.
  - **Jeżeli akumulator nie jest używany, należy go przechowywać z dala od innych przedmiotów metalowych, np. spinaczy, monet, kluczy, gwoździ, śrub, wkrętów i innych drobnych przedmiotów metalowych, które mogłyby spowodować zwarcie wyprowadzeń akumulatora.** Zwarcie wyprowadzeń akumulatora może doprowadzić do oparzeń lub pożaru.
  - **W niesprzyjających warunkach może dojść do wycieku cieczy z akumulatora. Należy wtedy unikać wszelkiego kontaktu z tą cieczą. W razie przypadkowego kontaktu ze skórą, zabrudzone miejsce należy obficie przemyć wodą. Jeżeli płyn dostanie się do oczu, należy dodatkowo zasięgnąć porady lekarza.** Płyn wyciekający z akumulatora może powodować podrażnienie lub oparzenia.
  - **Nie należy używać akumulatorów lub maszyn, które są uszkodzone lub zostały poddane przeróbkom.** Uszkodzone lub zmodyfikowane akumulatory mogą zachowywać się w sposób nieprzewidywalny, co może doprowadzić do pożaru lub wybuchu lub stwarzać ryzyko urazów.
  - **Nie należy narażać akumulatora lub maszyny na kontakt z ogniem lub zbyt wysokimi temperaturami.** Ogień lub temperatury przekraczające 130°C mogą doprowadzić do wybuchu.
  - **Należy przestrzegać wszystkich instrukcji ładowania. Nie należy ładować akumulatora lub maszyny poza przedziałem temperatur podanym w instrukcji.** Ładowanie w sposób nieprawidłowy lub w temperaturze wykraczającej poza określony zakres może doprowadzić do uszkodzenia akumulatora i zwiększa ryzyko pożaru.
- #### Serwisowanie
- **Serwisowanie maszyny należy powierzać wykwalifikowanemu serwisantowi. Do naprawy należy używać wyłącznie części zamiennych identycznych z oryginalnymi.** Zapewni to bezpieczeństwo eksploatacji maszyny.
  - **Uszkodzonych akumulatorów nie należy nigdy naprawiać.** Jakiegokolwiek czynności serwisowe przy akumulatorach powinny być wykonywane wyłącznie przez producenta lub pracowników autoryzowanego serwisu.

## OSTRZEŻENIA DOTYCZĄCE BEZPIECZEŃSTWA UŻYWANIA ŚWIDRA DO LODU

- Jeśli świdry są pęknięte, wygięte lub w jakikolwiek sposób uszkodzone, należy je wymienić. Używanie maszyny z uszkodzonym świdrem może doprowadzić do poważnych obrażeń.
- Nigdy nie należy używać świdra z uchwytami powyżej poziomu pasa. Ogranicza to kontrolę nad świdrem i może zwiększyć ryzyko obrażeń.
- Urządzenie należy trzymać oburącz za przeznaczone do tego uchwyty. Utrata kontroli nad urządzeniem może doprowadzić do obrażeń ciała.
- W czasie wykonywania prac, w trakcie których końcówka kopiąca może natrafić na ukryty przewód elektryczny, maszynę należy trzymać za izolowane uchwyty. Dotknięcie końcówką kopiącą przewodu pod napięciem może spowodować, że przez niez izolowane elementy metalowe maszyny popłynie prąd, co grozi operatorowi porażeniem.
- Aby zmniejszyć ryzyko porażenia prądem, nigdy nie należy używać świdra w pobliżu zakopanych kabli elektrycznych. Zetknięcie się z zakopanymi przewodami elektrycznymi lub używanie urządzenia w ich pobliżu może spowodować poważne obrażenia lub porażenie prądem, a w konsekwencji śmierć.
- Maszynę należy zawsze włączać na małej prędkości i z końcówką świdra przyłożoną do podłoża. Na wyższych obrotach, jeśli dopuści się do swobodnego kręcenia się świdra bez dotykania podłoża, świder może się skrzywić, co może doprowadzić do urazów.
- Narzędzie można docisnąć tylko w kierunku wyznaczonym przez świder, nie należy go jednak naciskać zbyt mocno. Świdry mogą się wygiąć, co może spowodować ich złamanie się, utratę kontroli nad narzędziem i w konsekwencji urazy.
- Należy zawsze dbać o pewne podparcie stóp. Podczas używania maszyny na wysokościach należy mieć pewność, że nikt nie znajduje się poniżej.
- Maszynę należy mocno trzymać.
- Ręce należy trzymać z dala od obracających się części.
- Nie wolno zostawiać włączonej maszyny. Maszynę należy włączać wyłącznie wtedy, gdy trzyma się ją w rękach.
- Nie należy dotykać końcówki świdra bezpośrednio po zakończeniu pracy. Może być ona bardzo gorąca i może doprowadzić do poparzenia skóry.

- Jeśli z maszyną coś jest nie tak, np. słychać nietypowe odgłosy, należy natychmiast przerwać pracę i skontaktować się z lokalnym centrum serwisowym w celu przeprowadzenia naprawy.
- Aby zmniejszyć ryzyko wybuchu, nigdy nie należy używać świdra w pobliżu zakopanych przewodów i rur, w tym w szczególności rur gazowych i wodociągowych. Zetknięcie się z zakopanymi rurami wodociągowymi lub gazowymi lub używanie maszyny w pobliżu takich rur może doprowadzić do ich przebicia, rozerwania instalacji wodociągowej i wybuchu przewodów gazowych, co może spowodować poważne obrażenia lub śmierć.
- Nigdy nie należy pracować na obrotach wyższych niż maksymalna znamionowa prędkość obrotowa świdra. Na wyższych obrotach, jeśli pozwoli mu się swobodnie się kręcić bez dotykania nawiercanego elementu, świder może się skrzywić, co może doprowadzić do urazów.
- Urządzenia akumulatorowe nie muszą być podłączone do gniazdka elektrycznego, dzięki czemu są zawsze gotowe do pracy. Należy więc mieć świadomość możliwych zagrożeń, występujących nawet wtedy, gdy maszyna nie jest używana. Podczas wykonywania czynności konserwacyjnych lub serwisowych należy zachować ostrożność.
- Nie należy czyścić urządzenia wężem; należy unikać zachlapania wodą silnika i połączeń elektrycznych.
- Ostrza do lodu są bardzo ostre. Podczas wiercenia otworów lub wymiany ostrzy należy zachować maksymalną ostrożność. Po każdym użyciu należy założyć osłonę ostrzy.
- Należy często sprawdzać i upewniać się, że śruba blokująca jest zamocowana na swoim miejscu.
- Maszyny należy używać wyłącznie ze wskazanymi akumulatorami i ładowarkami.

Niniejszą instrukcję należy zachować. Zachęcamy do częstego korzystania z niej. Instrukcja może też posłużyć do przeszkolenia innych osób, które będą używały maszyny. Jeśli maszyna zostaje komuś wypożyczona, osobie tej należy również udostępnić niniejszą instrukcję, aby zapobiec niewłaściwemu użytkowaniu i możliwym urazom.

## SPECYFIKACJA

Średnica świdra/ otworu	200 mm	
Maksymalna głębokość wiercenia	990 mm	
Ciężar (bez akumu- latora)	3,7 kg	
Zalecana temperatura użytkowania	-20°C – 40°C	
Zalecana temperatura przechowywania	-40°C – 70°C	
Poziom mocy akusty- cznej $L_{WA}$	97,6 dB(A) K=3 dB(A)	
Poziom ciśnienia akustycznego $L_{PA}$	89,6 dB(A) K=3 dB(A)	
Drgania $a_h$	Uchwyt prawy	2,52 m/s <sup>2</sup> K=1,5 m/s <sup>2</sup>
	Uchwyt lewy	2,45 m/s <sup>2</sup> K=1,5 m/s <sup>2</sup>

- Deklarowana całkowita wartość drgań została zmierzona zgodnie ze standardowymi metodami testowania i może służyć do porównywania różnych maszyn.
- Deklarowana całkowita wartość drgań może również służyć do wstępnej oceny narażenia na drgań.

**UWAGA:** Emisja drgań podczas rzeczywistego użytkowania maszyny może różnić się od deklarowanej wartości, w której maszyna jest używana. Aby się zabezpieczyć, w rzeczywistych warunkach użytkowania użytkownik powinien nosić rękawice i nauszki ochronne.

## ZALECANE AKCESORIA

**⚠ OSTRZEŻENIE:** Należy używać wyłącznie akcesoriów wymienionych poniżej. Stosowanie akcesoriów, które nie spełniają oryginalnej specyfikacji urządzenia może spowodować niewłaściwe działanie i narazić użytkownika na niebezpieczeństwo.

NAZWA CZĘŚCI	NUMER MODELU
Ostrze świdra do lodu	AB08001

## LISTA ELEMENTÓW W OPAKOWANIU (RYS. A)

### OPIS

#### ZAPOZNANIE SIĘ ZE ŚWIDREM DO LODU (Rys. A)

1. Świder do lodu
2. Śruba blokująca
3. Osłona ostrza
4. Ostrze do lodu
5. Klucz imbusowy (6 mm)

### MONTAŻ

#### MONTAŻ ŚWIDRA DO LODU

**⚠ OSTRZEŻENIE:** Świder jest bardzo ostry. Aby nie dopuścić do urazów, podczas czyszczenia, montażu lub demontażu świdra należy zachować szczególną ostrożność. W czasie wykonywania czynności konserwacyjnych przy świdrze należy zawsze nosić rękawice ochronne.

- 1 Poluzować i wyjąć śrubę blokującą ze świdra do lodu.
- 2 Zamontować górny koniec świdra na wale napędowym głowicy napędowej (Rys. B1).
- 3 Dopasować do siebie otwory połączeniowe na świdrze i wale napędowym.
- 4 Aby przymocować świder do wału napędowego, użyć śruby blokującej. Dostarczonym kluczem imbusowym 6 mm dokręcić śrubę blokującą (Rys. B2).

B1-1	Wał napędowy	B1-2	Górny koniec świdra do lodu
B2-1	Wał napędowy	B2-2	Śruba blokująca
B2-3	Płaska strona		

**UWAGA:** Śruba blokująca musi być włożona w otwory połączeniowe od płaskiej strony otworu w świdrze.

### UŻYTKOWANIE

#### ZASTOSOWANIE

Urządzenia można używać wyłącznie do celów podanych poniżej:

- Wiercenie otworów w lodzie za pomocą świdra do lodu.

#### WŁĄCZANIE/WYŁĄCZANIE ŚWIDRA DO LODU

Patrz część „WŁĄCZANIE/WYŁĄCZANIE GŁOWICY NAPĘDOWEJ” w instrukcji do głowicy uniwersalnej PHA7400E.

PL

**UWAGA:** Przed włączeniem produktu należy założyć rękawice ochronne i zdjąć osłonę ostrza do lodu.

## PRACA Z UŻYCIEM ŚWIDRA DO LODU

### ⚠️ OSTRZEŻENIE:

- Aby nie dopuścić do uszkodzenia instalacji podziemnych, przed użyciem maszyny należy skontaktować się z lokalnymi zakładami energetycznymi w celu ustalenia przebiegu i lokalizacji w/w podziemnych instalacji.
- Świdra do lodu nie należy używać do celów innych niż zgodne z jego przeznaczeniem.
- Świdra do lodu należy używać tylko do wiercenia otworów w lodzie.
- Należy unikać kopania w materiale, co do którego istnieją podejrzenia, że zawiera ukryte gwoździe lub inne elementy, które mogą spowodować zakleszczenie lub złamanie świdra.
- Należy zwracać uwagę na siłę reakcji momentu obrotowego maszyny. Należy zawsze utrzymywać pozycję roboczą, w której użytkownik jest w stanie wytrzymać siłę reakcji momentu obrotowego.
- Szczególną ostrożność należy zachować podczas pracy na pochyłościach i na nierównym podłożu.

**UWAGA:** Przed uruchomieniem należy sprawdzić, czy w otworach lub poruszających się częściach nie znajdują się ciała obce (piasek, zanieczyszczenia itp.).

- a. Rozstawić pewnie stopy nad powierzchnią roboczą i stanąć z uchwytami blisko talii. Mocno chwycić prawy uchwyt prawą ręką i lewy lewą (Rys. C1).

C1-1	Uchwyt prawy	C1-2	Uchwyt lewy
------	--------------	------	-------------

**⚠️ OSTRZEŻENIE:** Nigdy nie należy trzymać prawego uchwyty lewą ręką, a lewego uchwyty prawą. Nieprawidłowe ułożenie dłoni może doprowadzić do poważnych obrażeń (Rys. C2).

**⚠️ OSTRZEŻENIE:** Należy unikać pracy w nieprawidłowej pozycji (Rys. C3). Nie należy stawać zbyt daleko od maszyny. W przypadku odbicia, może się wtedy nie udać prawidłowo zareagować i może dojść do utraty kontroli nad narzędziem.

- b. Świdra należy trzymać z dala od ciała i skierowany w dół pod kątem 90° do powierzchni.
- c. Ustawić kierunek i prędkość obrotów.
- d. Unieść maszynę nad powierzchnię. Nacisnąć i przytrzymać przycisk odblokowujący i nacisnąć przełącznik spustowy.

**⚠️ OSTRZEŻENIE:** Gdy produkt jest włączony, nie należy dotykać świdra.

- e. Poczekać, aż świder osiągnie pełną prędkość.
- f. Opuścić świder na powierzchnię pod kątem 90° (Rys. C4). Pozwolić świdrowi wgrzać się w materiał, tak aby maszyna mogła wykonać swoją pracę.
- g. Gdy świder zacznie wypełniać się gruzem, ważne jest, aby stale go usuwać, aby uzyskać czyste cięcie i zmniejszać wymagany wysiłek – gdy świder będzie pracował z pełną prędkością, należy powoli go podnieść i wyjąć z otworu, aby usunąć gruz ze świdra.
- h. Po zakończeniu pracy maszyną puścić włącznik spustowy i pozwolić, aby świder całkowicie się zatrzymał.
- i. Gdy zostawia się maszynę, np. w trakcie przerwy, nie należy pozostawiać maszyny w lodzie ani opierać jej o ścianę. Założyć osłonę ostrza na świder do lodu i schować maszynę w stabilnej pozycji.

## WSKAZÓWKI DOTYCZĄCE KORZYSTANIA ZE ŚWIDRA DO LODU

- Nadmierne naciskanie maszyny nie przyspieszy procesu kopania. Nadmierny nacisk spowoduje jedynie uszkodzenie świdra, zmniejszy wydajność pracy maszyny i skróci jej żywotność.
- Podczas wiercenia głębokiego otworu lub wiercenia w glebie gliniastej nie należy próbować kopać od razu otworu na pełną głębokość. Otwór należy wykopać, podnosząc maszynę w górę i w dół, tak aby luźna ziemia w otworze mogła z niego zostać usunięta.
- Jeśli prędkość obrotowa maszyny spada z powodu pracy z dużym obciążeniem, należy nieznacznie podnieść maszynę i przesunąć ją w górę i w dół, aby wierceć otwór stopniowo.
- Zakleszczony świder można wyjąć z wierconego otworu po prostu ustawiając go na obroty do tyłu. Podczas cofania należy podeprzeć maszynę swoim ciałem, aby zapobiec kręceniu się w prawo.
- Przed rozpoczęciem pracy świdrem do lodu na zamrzniętych stawach, jeziorach lub strumieniach należy skontaktować się z lokalnymi władzami i podjąć wszelkie niezbędne środki ostrożności w celu zagwarantowania, że lód ma bezpieczną grubość.
- Podczas wyjmowania świdra do lodu z otworu należy podnieść go pionowo i wysunąć prosto, tak aby świder wysunął się z otworu bez przechylania się. Aby zminimalizować rozpryskiwanie się kawałków lodu podczas wiercenia otworów w lodzie, należy puścić spust natychmiast po przebiegu się świdra przez lód. Powoli podnieść urządzenie. Nawiercone otwory należy przykryć i wyraźnie oznakować, aby nikt nie mógł do nich wpaść.

## KONSERWACJA

**⚠ OSTRZEŻENIE:** Aby uniknąć poważnych obrażeń ciała, przed serwisowaniem, czyszczeniem, wymianą osprzętu dodatkowego oraz usuwaniem materiału należy zawsze wyjmować z produktu akumulator.

### KONSERWACJA OGÓLNA

Podczas czyszczenia części plastikowych należy unikać używania rozpuszczalników. Pod wpływem kontaktu z różnego rodzaju rozpuszczalnikami dostępnymi w handlu większość tworzyw może ulec uszkodzeniu. Do usuwania zabrudzeń, kurzu, oleju, smaru itp. należy używać czystej ściereczki.

**⚠ OSTRZEŻENIE:** Nigdy nie należy dopuszczać do kontaktu elementów plastikowych z substancjami takimi jak płyn hamulcowy, benzyna, produkty ropopochodne, oleje penetrujące itp. Substancje chemiczne mogą uszkodzić, osłabić lub zniszczyć tworzywa, co może w konsekwencji spowodować poważne obrażenia.

### WYMIANA OSTRZY DO LODU

Jeśli podczas wiercenia otworów w lodzie świder do lodu podskakuje na lodzie lub jeśli przecinanie lodu odbywa się powoli, być może trzeba wymienić ostrza do lodu.

Wymagane narzędzia: Klucz imbusowy 6 mm (w zestawie), klucz imbusowy 3 mm (do dokupienia osobno)

1. Wyjąć akumulator ze świdra i zdjąć świder do lodu z wału napędowego głowicy napędowej; aby poluzować i wyjąć śrubę blokującą, użyć klucza imbusowego 6 mm.
2. Założyć rękawice ochronne i zdjąć osłonę ostrza do lodu (Rys. D1).
3. Kluczem imbusowym 3 mm poluzować i wykręcić śruby. Zdjąć ostrza do lodu ze świdra do lodu (Rys. D2).
4. Wymienić ostrza na nowe i dobrze je dokręcić.
5. Założyć osłonę ostrza.

D1-1	Oslona ostrza	D1-2	Ostrza do lodu
D2-1	Śruba	D2-2	Ostrze do lodu

### PRZECHOWYWANIE ŚWIDRA DO LODU

1. Wyjąć akumulator.
2. Zdjąć świder z wału napędowego głowicy napędowej.
3. Przed schowaniem świdra należy dokładnie wyczyścić.
4. Założyć osłonę ostrza na świder.

5. Świder należy przechowywać w suchym i przewiewnym miejscu niedostępnym dla dzieci: albo pod kluczem, albo wystarczająco wysoko. Świdra nie należy używać na nawozach lub w ich pobliżu, to samo dotyczy podłoży zanieczyszczonych benzyną i substancjami chemicznymi.

### Ochrona środowiska



Urządzeń elektrycznych, zużytych akumulatorów i ładowarki nie należy wyrzucać do zwykłych zmieszanych śmieci domowych! Produkt należy oddać do zbiórki selektywnej w autoryzowanym punkcie recyklingu. Elektronarzędzia należy oddawać do przyjaznego dla środowiska zakładu recyklingu.

## ROZWIĄZYWANIE PROBLEMÓW

PROBLEM	PRZYCZYNA	ROZWIĄZANIE
Maszyna nie włącza się lub nieoczekiwanie zatrzymuje się.	<ul style="list-style-type: none"> <li>■ Niski stan naładowania akumulatora.</li> <li>■ Akumulator jest przegrzany lub zbyt zimny.</li> <li>■ Przewód prawego uchwytu nie jest prawidłowo połączony z przewodem głowicy napędowej.</li> </ul>	<ul style="list-style-type: none"> <li>■ Naładować akumulator.</li> <li>■ Począkać, aż akumulator ostygnie lub rozgrzeje się, po czym można ponownie uruchomić świder.</li> <li>■ Podłączyć przewody prawego uchwytu i głowicy napędowej zgodnie z opisem podanym w części „<b>INSTALOWANIE UCHWYTÓW</b>” w instrukcji obsługi głowicy napędowej PHA7400E.</li> </ul>
Podczas pracy występują zbyt duży hałas i/lub wibracje.	<ul style="list-style-type: none"> <li>■ Niektóre części są luźne.</li> </ul>	<ul style="list-style-type: none"> <li>■ Zatrzymać świder, wyjąć akumulator, sprawdzić i dokręcić poluzowane części.</li> </ul>
Silnik pracuje, ale świder pozostaje nieruchomy.	<ul style="list-style-type: none"> <li>■ Luźny świder.</li> </ul>	<ul style="list-style-type: none"> <li>■ Ponownie zamontować świder zgodnie ze wskazówkami podanymi w części „<b>MONTAŻ ŚWIDRA DO LODU</b>” w niniejszej instrukcji.</li> </ul>
Świder do lodu skacze po lodzie lub przecinanie lodu idzie powoli.	<ul style="list-style-type: none"> <li>■ Ostrza są tępe lub uszkodzone.</li> </ul>	<ul style="list-style-type: none"> <li>■ Wymienić ostrza na nowe zgodnie ze wskazówkami podanymi w części „<b>WYMIANA OSTRZY DO LODU</b>” w niniejszej instrukcji.</li> </ul>
Po naciśnięciu przełącznika kierunku/prędkości obrotów, kierunek lub prędkość obrotów świdra nie są przełączane.	<ul style="list-style-type: none"> <li>■ Przełączanie kierunku obrotów między kierunkiem do przodu i do tyłu jest możliwe tylko wtedy, gdy świder jest zatrzymany.</li> <li>■ Inne niezidentyfikowane przyczyny.</li> </ul>	<ul style="list-style-type: none"> <li>■ Całkowicie zatrzymać świder, przesunąć przełącznik kierunku/prędkości obrotów na żądane ustawienie, a następnie ponownie włączyć świder.</li> <li>■ Skontaktować się z serwisem EGO w celu naprawy.</li> </ul>

PL

## GWARANCJA

### POLITYKA GWARANCYJNA EGO

W celu zapoznania się z wszystkimi warunkami polityki gwarancyjnej EGO prosimy wejść na stronę [egopowerplus.eu](http://egopowerplus.eu).

## PŘEČTĚTE SI VŠECHNY POKYNY!



**PŘEČTĚTE SI NÁVOD K OBSLUZE**

**VAROVÁNÍ:** Z důvodu zajištění bezpečnosti a spolehlivosti musí všechny opravy provádět kvalifikovaný servisní technik.

## BEZPEČNOSTNÍ SYMBOL

Účelem bezpečnostních symbolů je upoutat vaši pozornost k případným nebezpečím. Bezpečnostní symboly a jejich vysvětlení vyžadují vaši zvýšenou pozornost a porozumění. Výstražné symboly samy o sobě nevylučují žádné nebezpečí. Pokyny a varování, zde uvedené, nejsou náhradou vhodných opatření pro prevenci úrazů.

**VAROVÁNÍ:** Před použitím tohoto nářadí si přečtěte a seznámte se všemi bezpečnostními pokyny uvedenými v tomto návodu k obsluze včetně veškerých výstražných symbolů jako např. „**NEBEZPEČÍ**“, „**VAROVÁNÍ**“ a „**UPOZORNĚNÍ**“. Nedodržení níže uvedených pokynů může mít za následek úraz elektrickým proudem, požár anebo vážná zranění osob.

## BEZPEČNOSTNÍ POKYNY

Na této stránce jsou zobrazeny a popsány bezpečnostní symboly, které se mohou na výrobku objevit. Před montáží a provozem si přečtěte, seznámte se a dodržujte veškeré pokyny ke stroji.



Bezpečnostní upozornění



Z důvodu snížení rizika úrazu si musí uživatel přečíst návod k obsluze.



Používejte ochranu očí



Používejte chrániče sluchu



Odpadní elektrické výrobky se nesmí likvidovat s domovním odpadem. Odevzdejte do autorizovaného recyklačního závodu.



Tento výrobek je v souladu s platnými směrnici ES.



Stejnoseměrný proud



Tento výrobek je v souladu s platnými předpisy ve Spojeném království.

V Napětí

kg Kilogram

°C Celsius

mm Milimetr

/min Otáčky za minutu

IPX4 Ochrana před stříkající vodou

**CZ**

## VŠEOBECNÁ BEZPEČNOSTNÍ UPOZORNĚNÍ PRO STROJ

**⚠ VAROVÁNÍ:** Přečtěte si všechny bezpečnostní výstrahy, pokyny, ilustrace a technické údaje dodané s tímto strojem. Nedodržení všech níže uvedených pokynů může vést k úrazu elektrickým proudem, požáru anebo vážnému úrazu.

Všechna varování a pokyny uschovejte pro budoucí použití.

### Bezpečnost na pracovišti

- Udržujte pracovní prostor v čistotě a dobře osvětlený. Nepořádek nebo neosvětlené pracovní oblasti bývají příčinou úrazů.
- Nepoužívejte stroje ve výbušném prostředí, například v přítomnosti hořlavých kapalin, benzínu nebo prachu. Stroje jsou zdrojem jiskření, které může zapálit prach nebo výpary.
- Při práci se strojem udržujte děti a přihlízející osoby v bezpečné vzdálenosti. Nesoustředěnost může způsobit ztrátu kontroly.

### Elektrická bezpečnost

- Zástrčky stroje musí odpovídat zásuvce. V žádném případě nikdy neupravujte zástrčku. Nepoužívejte žádné adaptérové zástrčky s uzemněnými stroji. Neupravené zástrčky a vhodné zásuvky snižují riziko úrazu elektrickým proudem.
- Zabraňte kontaktu těla s uzemněnými povrchy, jako jsou potrubí, radiátory, sporáky a ledničky. Existuje zvýšené riziko úrazu elektrickým proudem, pokud je vaše tělo uzemněno.
- Nevystavujte stroje dešti nebo moku. Voda vnikající do stroje zvyšuje riziko úrazu elektrickým proudem.
- Nepoužívejte kabel nevhodným způsobem. Nikdy nepoužívejte kabel k přenášení, vytahování nebo odpojování stroje z elektrické sítě. Udržujte kabel daleko od tepla, oleje, ostrých hran nebo pohyblivých částí. Poškozené nebo spletené kabely zvyšují riziko úrazu elektrickým proudem.
- Při práci se strojem venku používejte prodlužovací kabel vhodný pro venkovní použití. Použití kabelu vhodného pro venkovní použití snižuje riziko úrazu elektrickým proudem.
- Pokud musíte se strojem pracovat ve vlhkém prostředí, použijte přerušovač zemního spojení. Použití přerušovače zemního obvodu (GFCI) snižuje riziko úrazu elektrickým proudem.

### Osobní bezpečnost

- Při práci se strojem buďte stále pozorní, sledujte, co děláte a používejte zdravý rozum. Nepoužívejte stroj, jste-li unaveni nebo pod vlivem drog, alkoholu nebo léků. Jediná chvilka nepozornosti při práci se strojem může mít za následek vážný úraz.
  - Používejte osobní ochranné pracovní prostředky. Vždy používejte ochranu očí. Ochranné pomůcky, jako např. respirátor, protiskluzová bezpečnostní obuv, pevná přilba nebo chrániče sluchu používané ve vhodném prostředí sniží riziko úrazu.
  - Zabraňte náhodnému spuštění. Před připojením ke zdroji napětí a/nebo akumulátoru, zvedáním nebo přenášením stroje se ujistěte, že vypínač je ve vypnuté poloze. Přenášení strojů s prstem na spínači nebo zapínání strojů se zapnutým spínačem vyvízí k nehodám.
  - Před zapnutím stroje odstraňte seřizovací klíče nebo nářadí. Nářadí nebo klíč, který zůstane upevněn k otáčející se části stroje, může způsobit zranění.
  - Nenahýbejte se. Vždy udržujte pevný postoj a rovnováhu. To umožní lepší ovládnání stroje v nečekaných situacích.
  - Používejte vhodný oděv. Nenoste volný oděv ani šperky. Udržujte své vlasy a oblečení mimo dosah pohyblivých částí. Volný oděv, šperky nebo dlouhé vlasy se mohou zachytit do pohyblivých se částí.
  - Pokud je zařízení vybaveno adaptérem pro připojení odsávání prachu a sběrnými zařízeními, zajistěte jejich správné připojení a řádnou funkci. Použití odsávání prachu může snížit nebezpečí týkající se prachu.
  - Nedovoľte, abyste se po získání zkušeností častým používáním strojů stali neobezřetnými a ignorovali zásady bezpečnosti. Nedbalá činnost může způsobit vážné zranění za zlomek sekundy.
- ### Používání a péče o stroj
- Nevývíjejte na stroj násilí. Použijte správný stroj pro danou aplikaci. Správný stroj bude pracovat lépe a bezpečněji rychlostí, pro kterou byl navržen.
  - Nepoužívejte stroj v případě, že vypínač nefunguje. Stroj, který nelze ovládat spínačem, je nebezpečný a musí se opravit.
  - Před seřizováním, výměnou příslušenství nebo uskladněním stroje odpojte zástrčku ze zdroje napájení anebo vyjměte akumulátor, pokud je odnímatelný, ze stroje. Tato preventivní bezpečnostní opatření snižují riziko náhodného spuštění stroje.

- **Nečinné stroje skladujte mimo dosah dětí a nedovolte osobám, které nejsou obeznámeny se zařízením nebo s těmito pokyny, aby je obsluhovaly.** Stroje jsou v rukou nekvalifikované obsluhy nebezpečné.
- **Provádějte údržbu strojů a příslušenství. Kontrolujte případnou nesouosost nebo ohyb pohyblivých se částí, narušení dílů a ostatní podmínky, které mohou ovlivnit provoz stroje. V případě poškození nechte stroj před použitím opravit.** Mnoho nehod a úrazů je způsobeno nedostatečně udržovanými stroji.
- **Udržujte řezací stroje ostré a čisté.** Řádně udržované řezací stroje s ostrými řeznými hranami nemají tendenci se ohýbat a lépe se ovládají.
- **Používejte stroj, příslušenství a strojové hroty atd. v souladu s těmito pokyny s přihlédnutím k pracovním podmínkám a práci, která má být provedena.** Použití stroje na činnosti jiné, než je určující použití, může vést k nebezpečným situacím.
- **Udržujte rukojeti a uchopovací plochy suché, čisté, bez oleje a maziva.** Kluzké rukojeti a plochy pro uchopení neumožňují bezpečnou manipulaci se strojem a jeho ovládání v nečekaných situacích.

#### Používání a péče o bateriové zařízení

- **K nabíjení používejte pouze nabíječku doporučenou výrobcem.** Nabíječka vhodná pro jeden typ akumulátoru může způsobit riziko požáru při použití s jiným akumulátorem.
- **Stroje používejte pouze se specifikovanými akumulátory.** Použití jiných akumulátorů může způsobit riziko úrazu a požáru.
- **Pokud akumulátor nepoužíváte, držte jej z dosahu kovových předmětů, jako jsou kancelářské sponky na papír, mince, klíče, hřebíky, šroubky nebo další drobné kovové předměty, které mohou propojit kontakty akumulátoru.** Zkratování kontaktů akumulátoru může způsobit spálení nebo požár.
- **V nevhodných podmínkách může z akumulátoru unikat kapalina. Zabraňte kontaktu. Při náhodném kontaktu opláchněte zasažené místo vodou. Při zasažení očí kapalinou vyhledejte lékařskou pomoc.** Unikající kapalina z akumulátoru může způsobit podráždění pokožky nebo popálení.
- **Nepoužívejte akumulátor nebo stroj, který je poškozen nebo upraven.** Poškozené nebo upravené akumulátory mohou mít nepředvídatelné chování, které může vést k požáru, výbuchu nebo nebezpečí zranění.
- **Nevystavujte akumulátor ani stroj ohni nebo příliš vysoké teplotě.** Při vystavení ohni nebo teplotě nad 130 °C může dojít k výbuchu.

- **Dodržujte všechny pokyny pro nabíjení a nenabíjejte akumulátor nebo stroj mimo rozsah teplot uvedených v pokynech.** Nesprávné nabíjení nebo nabíjení při teplotách mimo stanovený rozsah může poškodit akumulátor a zvýšit riziko požáru.

#### Servis

- **Servis vašeho stroje svěřte kvalifikovanému opraváři, který používá pouze originální náhradní díly.** Tím zajistíte bezpečnost stroje.
- **Nikdy neopravujte poškozené akumulátory.** Servis akumulátorů může provádět pouze výrobce nebo autorizovaní poskytovatelé služeb.

## BEZPEČNOSTNÍ UPOZORNĚNÍ PRO VRTAČKU DO LEDU

- **Pokud jsou vrtáky prasklé, ohnuté nebo jakkoli poškozené, vyměňte je.** Provoz stroje s poškozeným vrtákem může vést k vážnému zranění.
- **Nikdy nepoužívejte vrtáčku s rukojetí nad úroveň pasu.** To omezuje ovládání vrtáčky a může zvýšit riziko zranění.
- **Držte stroj oběma rukama za určené úchyty.** Ztráta kontroly může vést ke zranění.
- **Při provádění úkonů, při nichž se vrtací příslušenství může dotknout skrytých kabelů, držte stroj za izolované úchopné plochy.** Vrtací příslušenství, které je v kontaktu s vodičem pod proudem, může rozvést proud do nechráněných kovových částí stroje a způsobit obsluze úraz elektrickým proudem.
- **Abyste snížili riziko úrazu elektrickým proudem, nikdy nepoužívejte vrtáčku v blízkosti zakopaných elektrických kabelů.** Kontakt s uloženými elektrickými kabely nebo používání v jejich blízkosti může způsobit vážné zranění nebo úraz elektrickým proudem s následkem smrti.
- **Stroj vždy spouštějte při nízkých otáčkách a s hrotem šnekového vrtáku v kontaktu se zemí.** Při vyšších rychlostech může dojít k ohnutí hrotu, pokud se nechá volně otáčet bez kontaktu se zemí, což může vést ke zranění osob.
- **Vyvíjejte tlak pouze v přímé linii s hrotem a nevyvíjejte nadměrný tlak.** Vrtáky se mohou ohýbat a způsobit zlomení nebo ztrátu kontroly, což má za následek zranění osob.
- **Vždy se ujistěte, že máte pevnou oporu.** Při používání stroje na vyvýšených místech dbejte na to, aby se pod ním nikdo nenacházel.

GZ

- Držte stroj pevně.
- Nepřibližujte ruce k rotujícím částem.
- Nenechávejte stroj v provozu. Stroj ovládejte pouze ručně.
- Nedotýkejte se šnekového vrtáku bezprostředně po ukončení práce. Může být velmi horký a mohl by vám popálit kůži.
- Pokud je se strojem něco v nepořádku, například neobvyklé zvuky, okamžitě přestaňte pracovat a obraťte se na místní servisní středisko, které zajistí opravu.
- Abyste snížili riziko výbuchu, nikdy nepoužívejte vrtáku v blízkosti jakýchkoli zakopaných plynových vedení, včetně vodovodních potrubí a trubek. Kontakt s vodovodním nebo plynovým potrubím nebo použití v jeho blízkosti může vést k prasknutí vodovodního potrubí a výbuchu plynového potrubí, což může způsobit vážné zranění nebo smrt.
- Nikdy nepracujte při vyšších otáčkách, než je maximální rychlost šnekového vrtáku. Při vyšších rychlostech se hrot může ohýbat, pokud se nechá volně otáčet bez kontaktu s obrobkem, což má za následek zranění osob.
- Stroje poháněné akumulátory nemusí být zapojeny do elektrické zásuvky, a proto jsou vždy v provozním stavu. Dávejte pozor na možná nebezpečí, i když stroj není v provozu. Dávejte pozor při provádění údržby nebo opravy.
- K mytí nepoužívejte hadici; dbejte, aby se do motoru a elektrických přípojek nedostala voda.
- Čepel na led jsou velmi ostré. Při vrtání otvoru nebo výměně čepelí dbejte zvýšené opatrnosti. Po každém použití nasadte ochranný kryt čepelí.
- Často kontrolujte a ujistěte se, že je zajišťovací šroub zajištěn na svém místě.
- Používejte pouze s uvedenými akumulátory a nabíječkami.

Tyto pokyny uchovejte pro budoucí použití. Často se na ně odkazujte a používejte je k instruování ostatních, kteří mohou tento stroj používat. Pokud stroj někomu půjčíte, půjčte mu také tento návod k obsluze, aby nedošlo k nesprávnému použití výrobku nebo případně k úrazu.

## TECHNICKÉ ÚDAJE

Průměr šnekového vrtáku/otvoru	200 mm
Maximální hloubka vrtání	990 mm

Hmotnost (bez akumulátoru)	3,7 kg	
Doporučená provozní teplota	- 20 °C až 40 °C	
Doporučená teplota skladování	- 40 °C až 70 °C	
Hladina akustického výkonu $L_{WA}$	97,6 dB(A) K=3 dB(A)	
Hladina akustického tlaku $L_{PA}$	89,6 dB(A) K=3 dB(A)	
Vibrace $a_h$	Pravá rukojeť	2,52 m/s <sup>2</sup> K=1,5 m/s <sup>2</sup>
	Levá rukojeť	2,45 m/s <sup>2</sup> K=1,5 m/s <sup>2</sup>

- Celková deklarovaná hodnota vibrací byla naměřena podle standardní zkušební metody a lze ji použít ke srovnání s jiným strojem.
- Celkovou deklarovanou hodnotu vibrací lze použít také k předběžnému stanovení expozičních limitů.

**POZNÁMKA:** Emise vibrací při konkrétním použití stroje se mohou lišit od deklarované hodnoty, při které se stroj používá; z důvodu ochrany provozovatele by měl uživatel ve skutečných pracovních podmínkách nosit rukavice a chrániče sluchu.

## DOPORUČENÉ PŘÍSLUŠENSTVÍ

**VAROVÁNÍ:** Používejte pouze níže uvedené příslušenství. Použití příslušenství, které nesplňuje specifikace původního zařízení, může vést k nesprávnému výkonu a ohrožení bezpečnosti.

NÁZEV DÍLU	ČÍSLO MODELU
Čepel šnekového vrtáku do ledu	AB08001

## OBSAH BALENÍ (OBR. A)

### POPIS

#### SEZNAMTE SE S VAŠIM ŠNEKOVÝM VRTÁKEM DO LEDU (obr. A)

1. Šnekový vrták do ledu
2. Zajišťovací šroub
3. Ochranný kryt čepelí

4. Čepel na led
5. Imbusový klíč (6 mm)

## MONTÁŽ

### INSTALACE ŠNEKOVÉHO VRTÁKU DO LEDU

**VAROVÁNÍ:** Šnekový vrták je velmi ostrý. Abyste předešli zranění, dbejte při čištění, montáži nebo demontáži šnekového vrtáku zvýšené opatnosti. Při údržbě šnekového vrtáku vždy používejte ochranné rukavice.

- 1 Povolte a vyjměte zajišťovací šroub ze šnekového vrtáku do ledu.
- 2 Namontujte horní konec šnekového vrtáku na hnací hřídel pohonné hlavy (obr. B1).
- 3 Vyrovnajte připojovací otvory na šnekovém vrtáku a hnacím hřídeli.
- 4 Pomocí zajišťovacího šroubu zajistěte šnekový vrták na hnací hřídeli. Pomocí dodaného 6mm imbusového klíče pevně utáhněte zajišťovací šroub (obr. B2).

B1-1	Hnací hřídel	B1-2	Horní konec šnekového vrtáku do ledu
B2-1	Hnací hřídel	B2-2	Zajišťovací šroub
B2-3	Plochá strana		

**POZNÁMKA:** Ujistěte se, že je zajišťovací šroub zasunut do připojovacích otvorů z ploché strany otvoru pro šnekový vrták.

## OBSLUHA

### POUŽITÍ

Výrobek lze použít k následujícím účelům:

- Vrtání otvorů do ledu pomocí šnekového vrtáku do ledu.

### ZAPNUTÍ/ZASTAVENÍ VRTAČKY DO LEDU

Viz část „ZAPNUTÍ/VYPNUTÍ POHONNÉ HLAVY“ v návodu k obsluze pohonné hlavy PHA7400E.

**POZNÁMKA:** Před spuštěním výrobku si nasadte ochranné rukavice a sejměte ochranný kryt čepel na led.

### PRÁCE S VRTAČKOU DO LEDU

**VAROVÁNÍ:**

- Před použitím stroje se obraťte na místní rozvodné závody, abyste se vyhnuli kontaktu s podzemními inženýrskými sítěmi.

- Nepoužívejte vrtáčku do ledu k jinému než určenému účelu.
- Pomocí vrtáčky do ledu vrtejte díry pouze do ledu.
- Vyvarujte se vrtání do materiálu, u kterého máte podezření, že obsahuje skryté hřebíky nebo jiné věci, které by mohly způsobit zaseknutí nebo zlomení šnekového vrtáku.
- Dávejte pozor na reakční sílu točivého momentu stroje. Vždy udržujte takovou pracovní polohu, abyste mohli odolat reakční síle točivého momentu.
- Při práci na svazích nebo nerovném povrchu dbejte zvýšené opatnosti.

**POZNÁMKA:** Před uvedením do provozu zkontrolujte, zda v otvorech nebo pohyblivých částech neuvízly žádné cizí předměty (písek, nečistoty atd.).

- a. Ujistěte se, že máte nohy pevně položené nad pracovní plochou, a postavte se s rukojeťmi blízko pasu. Pravou rukojeť držte pevně pravou rukou a levou rukojeť rukou levou (obr. C1).

C1-1	Pravá rukojeť	C1-2	Levá rukojeť
------	---------------	------	--------------

**VAROVÁNÍ:** Pravou rukojeť nikdy nadržte levou rukou a levou rukou pravou. Nesprávná poloha rukou může vést k vážnému zranění (obr. C2).

**VAROVÁNÍ:** Vyvarujte se nesprávného umístění (obr. C3). Nestůjte příliš daleko od stroje. V případě zpětného rázu nemusí být dosaženo správné reakce a ovládní.

- b. Udržujte šnekový vrták v dostatečné vzdálenosti od těla a směřujte ho dolů pod úhlem 90° k povrchu.
- c. Nastavte směr otáčení a rychlost otáčení.
- d. Zvedněte stroj nad povrch. Stiskněte a podržte hlavní tlačítko a stiskněte spoušť spínače.

**VAROVÁNÍ:** Nedotýkejte se šnekového vrtáku, když je výrobek zapnutý.

- e. Nechte vrtáčku nabrat plně otáčky.
- f. Spusťte šnekový vrták do povrchu a udržujte úhel 90° (obr. C4). Nechte šnekový vrták zakousnout se do materiálu a nechte stroj pracovat.
- g. Když se šnekový vrták začne plnit nečistotami, je důležité je neustále odstraňovat, aby se dosáhlo čistého řezu a snížila se potřebná námaha - zatímco vrtáčka pracuje na plně obrátky, pomalu ji zvedejte z otvoru a nechte nečistoty ze šnekového vrtáku odpadnout.
- h. Po použití stroje uvolněte hlavní vypínač a nechte vrtáčku úplně zastavit.

**GZ**

- i. Když stroj opouštíte, například během přestávky, nenechávejte jej zasunutý v ledu ani jej neopírejte o stěnu. Nainstalujte ochranný kryt čepele na šnekový vrták do ledu a uložte stroj do stabilní polohy.

## TIPY PRO POUŽÍVÁNÍ VRTAČKY DO LEDU

- Nadměrným tlakem na stroj vrtání neurýchlíte. Nadměrný tlak pouze poškodí hrot šnekového vrtáku, sníží výkon stroje a zkrátí jeho životnost.
- Při vrtání hlubokého otvoru nebo vrtání v jilovité půdě se nesnažte vrtat najednou. Vrtejte otvor zvedáním stroje nahoru a dolů, aby bylo možné uvolněnou zeminu z otvoru vysypat.
- Pokud se rychlost otáčení stroje v důsledku vysoké zátěže zpomalí, zvedněte stroj trochu nahoru a pohybujte jím nahoru a dolů, abyste mohli vrtat po malých krocích.
- Zaseknutý šnekový vrták lze odstranit jednoduchým nastavením vrtáčky do zpětného chodu a jeho vyjetím. Při zpětném chodu podepřete stroj tělem, abyste zabránili reakci ve směru hodinových ručiček.
- Před prací se šnekovým vrtákem na zamrzlých rybnících, jezerech nebo vodních tocích se poraďte s místními úřady a přijměte veškerá nezbytná opatření k zajištění bezpečné tloušťky ledu.
- Při vyjímání šnekového vrtáku do ledu z otvoru zvedněte stroj do svislé polohy tak, aby vrták vyjel rovně a nenakláněl se. Chcete-li při vrtání otvorů do ledu minimalizovat rozstříkávání, uvolněte hlavní vypínač okamžitě, jakmile šnekový vrták prorazí led. Stroj pomalu zvedejte. Zakryjte a zřetelně označte vrty, abyste zabránili tomu, že do nich někdo vstoupí.

## ÚDRŽBA

**⚠ VAROVÁNÍ:** Před servisem, čištěním, výměnou nástavců nebo odstraněním materiálu vyjměte akumulátor z výrobku, aby nedošlo k vážnému úrazu.

### CELKOVÁ ÚDRŽBA

K čištění plastových dílů nepoužívejte rozpouštědla. Většina plastů je náchylná k poškození různými typy komerčních rozpouštědel a jejich použití je může poškodit. K odstranění nečistot, prachu, oleje, maziva atd. použijte čistý hadr.

**⚠ VAROVÁNÍ:** Nikdy nedovolte, aby došlo ke styku plastových částí s brzdovými kapalinami, benzínem, ropnými produkty, penetračními oleji atd. Chemické látky mohou poškodit, zeslabit nebo poškodit plast, což může vést k vážnému úrazu.

## VÝMĚNA ČEPELE NA LED

Pokud vrtáčka do ledu při vrtání otvorů do ledu poskakuje nebo se pomalu proezává ledem, může být nutná výměna nebo čepele na led.

Potřebné nástroje: Imbusový klíč 6 mm (je součástí balení), imbusový klíč 3 mm (není součástí balení).

1. Vyjměte akumulátor z vrtáčky a vyjměte šnekový vrták do ledu z hnací hřídele pohonné hlavy pomocí 6mm imbusového klíče, kterým uvolníte a vyjměte zajišťovací šroub.
2. Nasadte si ochranné rukavice a sejměte ochranný kryt čepele na led (obr. D1).
3. Pomocí 3mm imbusového klíče povolte a vyjměte šrouby a čepele na led ze šnekového vrtáku do ledu (Obr. D2).
5. Vyměňte je za nové a pevně je utáhněte.
6. Nainstalujte ochranný kryt čepele.

D1-1	Ochranný kryt čepele	D1-2	Čepele na led
D2-1	Šroub	D2-2	Čepel na led

## ULOŽENÍ ŠNEKOVÉHO VRTÁKU DO LEDU

1. Vyjměte akumulátor.
2. Vyjměte šnekový vrták z hnací hřídele pohonné hlavy.
3. Před uložením šnekový vrták důkladně očistěte.
4. Nainstalujte ochranný kryt čepele na šnekový vrták do ledu.
5. Šnekový vrták skladujte na suchém, dobře větraném místě, uzamčený nebo vyvýšeném místě, mimo dosah dětí. Neskladujte šnekový vrták na hnojivech, benzínu nebo jiných chemikáliích nebo v jejich blízkosti.

## Ochrana životního prostředí



Elektrické zařízení, použité akumulátory a nabíječku nevhazujte do domovního odpadu! Předejte tento výrobek autorizované recyklační společnosti ke tříděnému sběru. Elektrické nářadí musí být vráceno do zařízení pro ekologickou recyklaci.

## ODSTRAŇOVÁNÍ ZÁVAD

PROBLÉM	PŘÍČINA	ŘEŠENÍ
Stroj se nespustí nebo se neočekávaně zastaví.	<ul style="list-style-type: none"> <li>■ Nízká kapacita akumulátoru.</li> <li>■ Akumulátor je přehřátý nebo příliš studený.</li> <li>■ Kabel pravé rukojeti není správně spojen s kabelem pohonné hlavy.</li> </ul>	<ul style="list-style-type: none"> <li>■ Nabijte akumulátor.</li> <li>■ Počkejte, až akumulátor vychladne nebo se zahřeje a vrtačku bude možné znovu spustit.</li> <li>■ Propojte kabely pravé rukojeti a pohonné hlavy podle kapitoly „<b>INSTALACE RUKOJETI</b>“ v návodu k obsluze pohonné hlavy PHA7400E.</li> </ul>
Při provozu je příliš velký hluk anebo vibrace.	<ul style="list-style-type: none"> <li>■ Některé díly jsou uvolněné.</li> </ul>	<ul style="list-style-type: none"> <li>■ Zastavte vrtačku, vyjměte akumulátor, zkontrolujte a utáhněte uvolněné části.</li> </ul>
Motor běží, ale šnekový vrták se neotáčí.	<ul style="list-style-type: none"> <li>■ Uvolněný šnekový vrták.</li> </ul>	<ul style="list-style-type: none"> <li>■ Znovu nainstalujte šnekový vrták podle kapitoly „<b>INSTALACE ŠNEKOVÉHO VRTÁKU DO LEDU</b>“ v této příručce.</li> </ul>
Vrtačka do ledu skáče po ledu nebo pomalu prořezává led.	<ul style="list-style-type: none"> <li>■ Čepele jsou tupé nebo poškozené.</li> </ul>	<ul style="list-style-type: none"> <li>■ Vyměňte je za nové podle kapitoly „<b>VÝMĚNA ČEPELÍ NA LED</b>“ v této příručce.</li> </ul>
Po stisknutí voliče směru/rychlosti otáčení se nepřepne směr nebo rychlost otáčení vrtačky.	<ul style="list-style-type: none"> <li>■ Přepínání směru otáčení mezi dopředným a zpětným chodem je možné pouze při zastavené vrtačce.</li> <li>■ Další neidentifikované příčiny.</li> </ul>	<ul style="list-style-type: none"> <li>■ Vrtačku úplně zastavte, přepněte volič směru otáčení/rychlosti na požadovaný směr otáčení a poté vrtačku znovu spusťte.</li> <li>■ Pro opravu kontaktujte servis EGO.</li> </ul>

CZ

## ZÁRUKA

### ZÁRUČNÍ PODMÍNKY SPOLEČNOSTI EGO

Úplné záruční podmínky společnosti EGO naleznete na webové stránce [egopowerplus.eu](http://egopowerplus.eu).

## PREČÍTAJTE SI VŠETKY POKYNY!



PREČÍTAJTE SI NÁVOD NA OBSLUHU

**VAROVANIE:** Pre zaistenie bezpečnosti a spoľahlivosti je nevyhnutné, aby všetky opravy vykonával len kvalifikovaný servisný technik.

## BEZPEČNOSTNÝ SYMBOL

Účelom bezpečnostných symbolov je upozorniť na možné nebezpečenstvá. Venujte príslušnú pozornosť a pochopte bezpečnostné symboly a ich vysvetlenia. Varovné symboly, samy o sebe, nedokážu eliminovať nebezpečenstvo. Pokyny a varovania, ktoré obsahujú, nie sú náhradou za vhodné opatrenia na prevenciu úrazov.

**VAROVANIE:** Pred použitím tohto nástroja si prečítajte a pochopte všetky bezpečnostné pokyny v tomto návode na obsluhu, vrátane všetkých bezpečnostných výstražných symbolov, ako sú „**NEBEZPEČENSTVO**“, „**VAROVANIE**“ a „**UPOZORNENIE**“. Nedodržanie nižšie uvedených pokynov môže mať za následok úraz elektrickým prúdom, požiar a/alebo vážne zranenie.

## BEZPEČNOSTNÉ POKYNY

Táto strana zobrazuje a popisuje bezpečnostné symboly, ktoré sa objavujú na tomto výrobku. Pred pokusom o zostavenie a prevádzkovanie si prečítajte, pochopte a dodržiavajte všetky pokyny na stroji.

SK



Bezpečnostné upozornenie



Používateľ si musí prečítať návod na obsluhu, aby znížil riziko úrazu.



Používajte ochranu zraku



Používajte ochranu sluchu



Odpadové elektrické výrobky sa nesmú likvidovať spolu s domovým odpadom. Odovzdajte do autorizovaného recyklačného strediska.



Tento výrobok je v súlade s platnými smernicami EŠ.



Jednosmerný prúd



Tento výrobok je v súlade s platnou legislatívou Spojeného kráľovstva.

V Napätie

kg Kilogram

°C Celcius

mm Milimeter

/min Otáčky za minútu

IPX4 Ochrana pred striekajúcou vodou

## VŠEOBECNÉ BEZPEČNOSTNÉ UPOZORNENIA TÝKAJÚCE SA STROJA

**VAROVANIE:** Prečítajte si všetky bezpečnostné varovania, pokyny, ilustrácie a špecifikácie dodané s týmto strojom. Nedodržanie nižšie uvedených pokynov môže mať za následok úraz elektrickým prúdom, požiar a/alebo vážne zranenie.

Všetky varovania a pokyny si ponechajte pre prípadnú potrebu v budúcnosti.

### Bezpečnosť pracovného priestoru

- Udržiavajte pracovisko čisté a dobre osvetlené. Neporiadok alebo tmavé miesta spôsobujú nehody.
- Nepoužívajte stroje vo výbušnom prostredí, napríklad v prítomnosti horľavých kvapalín, plynov alebo prachu. Stroje vytvárajú iskry, ktoré môžu zapáliť prach alebo výpary.
- Pri používaní stroja udržiavajte deti a okolostojace osoby mimo pracoviska. Rozptyľovanie pozornosti môže viesť ku strate kontroly.

### Elektrická bezpečnosť

- Zástrčka stroja musí zodpovedať elektrickej zásuvke. Nikdy a žiadnym spôsobom nemodifikujte zástrčku. Nepoužívajte žiadne rozbočovacie zástrčky s uzemneným strojom. Neupravené zástrčky a vhodné zásuvky obmedzia nebezpečenstvo úrazu elektrickým prúdom.
- Zabráňte kontaktu tela s uzemnenými povrchmi, ako sú rúry, radiátory, sporáky a chladničky. Dochádza k zvýšeniu rizika úrazu elektrickým prúdom, ak je vaše telo uzemnené.
- Nevystavujte stroje dažďu alebo mokru. Voda vniknutá do stroja zvyšuje riziko úrazu elektrickým prúdom.
- Nepoužívajte kábel nesprávnym spôsobom. Nikdy nepoužívajte kábel na nosenie, ťahanie alebo odpájanie stroja. Udržujte kábel v dostatočnej vzdialenosti od zdrojov tepla, oleja, ostrých hrán alebo pohyblivých častí. Poškodená alebo zamotaná šnúra zvyšuje riziko zasiahnutia elektrickým prúdom.
- Ak sa chystáte stroj použiť v exteriéroch, použite výhradne predĺžovací šnúru vhodnú na použitie v exteriéroch. Použitie šnúry vhodnej pre použitie v exteriéroch znižuje riziko úrazu elektrickým prúdom.
- Ak je používanie stroja vo vlhkom prostredí nevyhnutné, použite napájanie chránené prerušovačom obvodu uzemnenia. Použitie GFCI znižuje riziko úrazu elektrickým prúdom.

### Osobná bezpečnosť

- Buďte pozorní, sledujte to, čo robíte a používajte zdravý rozum pri práci so strojom. Nepoužívajte stroj, ak ste unavení alebo pod vplyvom drog, alkoholu alebo liekov. Chvilková nepozornosť pri práci so strojmi môže mať za následok vážne zranenie.
- Používajte osobné ochranné pomôcky. Vždy používajte ochranu očí. Ochranné prostriedky ako respirátor, protišmyková bezpečnostná obuv, prilba alebo chrániče sluchu použité za vhodných podmienok znižujú nebezpečenstvo zranenia.
- Zabráňte neúmyselnému uvedeniu do prevádzky. Pred pripojením k zdroju napájania a/alebo akumulátoru, pri zdvíhaní alebo prenášaní stroja sa uistite, že prepínač je vo vypnutej polohe. Prenášanie strojov s prstom na spínači alebo zapínanie strojov, ktoré majú zapnutý spínač, nabáda k nehodám.
- Pred spustením stroja vždy odstráňte nastavovací kľúč alebo náradie. Kľúč alebo náradie, ktoré necháte pripevnené k otáčajúcej sa časti stroja, môže spôsobiť zranenie osôb.
- Nenakláňajte sa. Pri práci vždy dodržujte správny postoj a rovnováhu. To umožňuje lepšiu ovládateľnosť stroja v nečakaných situáciách.
- Noste vhodné oblečenie. Nenoste šperky alebo voľný odev. Udržujte vlasy a oblečenie mimo dosah pohyblivých sa častí. Voľný odev, šperky alebo dlhé vlasy môžu byť zachytené pohyblivými sa dielmi.
- Pokiaľ je náradie vybavené zariadením na zachytávanie prachu a úlomkov materiálu, skontrolujte, či je k náradiu správne pripevnené. Použitie odsávania prachu môže znížiť nebezpečenstvo, ktoré súvisí s prachom.
- Nedovoľte, aby ste sa po získaní skúseností častým používaním stroja stali neobozretnými a ignorovali zásady bezpečnosti. Nedbalá činnosť môže spôsobiť vážne zranenie za zlomok sekundy.

### Používanie a starostlivosť o stroj

- Netlačte na stroj silou. Použite správny stroj pre vašu prácu. Stroj bude pracovať lepšie a bezpečnejšie pri rýchlosti, na ktorú bol navrhnutý.
- Nepoužívajte stroj, ak sa nedá zapnúť a vypnúť použitím vypínača. Stroj, ktorý sa nedá ovládať vypínačom, je nebezpečný a musí sa opraviť.
- Pred akýmikoľvek úpravami, výmenou príslušenstva alebo uskladnením stroja odpojte zástrčku od zdroja napájania a/alebo vyberte zo stroja akumulátor, ak je odpojiteľný. Takéto preventívne bezpečnostné opatrenia znižujú riziko náhodného spustenia stroja.

SK

- Nečinný stroj skladujte mimo dosahu detí a nedovoľte osobám, ktoré nie sú oboznámené so strojom alebo s týmto návodom, aby stroj obsluhovali. Stroje sú v rukách nevyškolených používateľov nebezpečné.
- **Vykonávajte údržbu strojov a príslušenstva.** Kontrolujte nastavenie pohyblivých častí, poškodenie dielov a akékoľvek ďalšie okolnosti, ktoré môžu mať vplyv na funkciu stroja. Ak je poškodený, nechajte ho pred použitím opraviť. Veľa úrazov je zapríčinených zle udržiavanými strojmi.
- **Rezacie stroje udržiavajte ostré a čisté.** Starostlivo ošetrované rezacie stroje s ostrými čepeľami menej pravdepodobne uviaznu a jednoduchšie sa ovládajú.
- **Používajte stroj, príslušenstvo, nadstavce apod. podľa týchto pokynov a rešpektujte pritom pracovné podmienky a vykonávanú činnosť.** Použitie stroja na iné ako určené účely môže viesť k nebezpečným situáciám.
- **Udržiavajte rukoväte a uchopovacie plochy suché, čisté, bez oleja a maziva.** Klzké držiadlá a uchopovacie plochy neumožňujú bezpečnú manipuláciu so strojom a jeho ovládanie v nečakaných situáciách.

#### Použitie a starostlivosť o akumulátorový stroj

- **Nabíjajte len pomocou nabíjačky špecifikovanej výrobcom.** Nabíjačka, ktorá je vhodná pre jeden typ akumulátora, môže predstavovať pri nabíjaní iného typu akumulátora nebezpečenstvo.
- **Používajte stroje a s výslovné určenými akumulátormi.** Použitie iných typov akumulátorov môže spôsobiť riziko úrazu a požiaru.
- **Ak sa akumulátor nepoužíva, držte ho mimo iných kovových predmetov, ako sú sponky, mince, kľúče, klince, skrutkovače alebo iné malé kovové predmety, ktoré by mohli navzájom prepojiť kontakty akumulátora.** Skratovanie kontaktov akumulátora môže spôsobiť popálenie alebo požiar.
- **Za nevhodných podmienok môže z akumulátora unikať kvapalina. Zabráňte kontaktu. Pri náhodnom kontakte opláchnite vodou. Pri zasiahnutí očí vyhľadajte lekársku pomoc.** Unikajúca kvapalina z akumulátora môže spôsobiť podráždenie pokožky alebo popálenie.
- **Nepoužívajte akumulátor alebo stroj, ktoré sú poškodené alebo upravené.** Poškodené alebo upravené akumulátory môžu mať nepredvídateľné chovanie, ktoré môže viesť k požiaru, výbuchu alebo nebezpečenstvu poranenia.
- **Nevystavujte akumulátor ani stroj ohňu alebo nadmernej teplote.** Pri vystavení ohňu alebo teplote nad 130 °C môže dôjsť k výbuchu.
- **Dodržiavajte všetky pokyny pre nabíjanie a nenabíjajte akumulátor alebo stroj mimo teplotného rozsahu uvedeného v pokynoch.** Nesprávne nabíjanie alebo nabíjanie pri teplotách mimo stanovený rozsah môže poškodiť akumulátor a zvýšiť riziko požiaru.

#### Servis

- **Nechajte váš stroj opraviť kvalifikovanou osobou s použitím iba identických náhradných dielov.** Tým sa zabezpečí, že bezpečnosť stroja zostane zachovaná.
- **Nikdy neopravujte poškodené akumulátory.** Servis akumulátorov smie robiť iba výrobca alebo autorizovaní servisní poskytovatelia.

## BEZPEČNOSTNÉ UPOZORNENIA PRE VRTAČKU DO ĽADU

- **Ak sú vrtáky prasknuté, ohnuté alebo akokoľvek poškodené, vymeňte ich.** Prevádzka stroja s poškodeným vrtákom môže mať za následok vážne poranenie.
- **Nikdy nepoužívajte vrtáčku s rukovätami nad úrovňou pásu.** To obmedzuje ovládanie vrtáčky a môže zvýšiť riziko poranenia.
- **Stroj držte oboma rukami za určené rukoväte.** Strata kontroly môže spôsobiť zranenie osôb.
- **Pri vykonávaní činnosti, pri ktorej sa vrtacie príslušenstvo môže dotknúť skrytého vedenia, držte stroj za izolované úchopné plochy.** Vrtacie príslušenstvo, ktoré prišlo do kontaktu s vedením pod elektrickým prúdom, môže nabiť kovové časti stroja a spôsobiť používateľovi úraz elektrickým prúdom.
- **Aby ste znížili riziko úrazu elektrickým prúdom, nikdy nepoužívajte vrtáčku v blízkosti zakopaných elektrických káblov.** Kontakt so zakopanými elektrickými káblami alebo používanie v ich blízkosti môže spôsobiť vážne zranenie alebo úraz elektrickým prúdom s následkom smrti.
- **Stroj vždy spúšťajte pri nízkych otáčkach a s hrotom šnekového vrtáka v kontakte so zemou.** Pri vyšších rýchlostiach je pravdepodobné, že sa vrták ohne, ak sa nechá voľne otáčať bez kontaktu so zemou, čo môže viesť k zraneniu osôb.
- **Tlačte iba v priamej línii s vrtákom a nevyvíjajte nadmerný tlak.** Vrtáky sa môžu ohnúť a spôsobiť zlomenie alebo stratu kontroly, čo môže viesť k zraneniu osôb.
- **Vždy sa uistite, že máte pevnú oporu.** Pri používaní stroja vo vysokých polohách dbajte na to, aby sa pod ním nikto nenachádzal.

- Stroj držte pevne.
- Udržujte ruky mimo rotujúcich častí.
- Nenechávajte stroj v prevádzke. Stroj obsluhujte len ručne.
- Nedotýkajte sa šnekového vrtáku bezprostredne po ukončení práce. Môže byť veľmi horúci a mohol by vám popáliť pokožku.
- Ak je so strojom niečo v neporiadku, napríklad nezvyčajné zvuky, okamžite prestaňte pracovať a obráťte sa na miestne servisné stredisko, ktoré vám zabezpečí opravu.
- Aby ste znížili riziko výbuchu, nikdy nepoužívajte vrtáku v blízkosti akýchkoľvek zakopaných plynových vedení vrátane vodovodných potrubí a rúr. Kontakt so zakopaným vodovodným alebo plynovým potrubím alebo používanie v jeho blízkosti môže spôsobiť prasknutie vodovodného potrubia a výbuch plynového potrubia, čo môže spôsobiť vážne zranenia alebo smrť.
- Nikdy nepracujte pri vyšších otáčkach, ako sú maximálne menovité otáčky šnekového vrtáka. Pri vyšších rýchlostiach sa vrták pravdepodobne ohne, ak sa nechá voľne otáčať bez kontaktu s obrobkom, čo má za následok zranenie osôb.
- Akumulátorové stroje nemusia byť zapojené do elektrickej zásuvky; preto sú vždy v prevádzkovom stave. Dávajte pozor na možné nebezpečenstvá, aj keď stroj nie je v prevádzke. Budte opatrní pri vykonávaní údržby alebo servisu.
- Neumývajte s hadicou; zabráňte tomu, aby sa voda dostala do motora a elektrických prípojkov.
- Čepele na ľad sú veľmi ostré. Pri vrtaní otvoru alebo výmene čepelí postupujte mimoriadne opatrne. Po každom použití nasadte ochranný kryt čepelí.
- Často kontrolujte a uistite sa, že je zaist'ovacia skrútka zaistená na svojom mieste.
- Používajte len s uvedenými akumulátormi a nabíjačkami.

**Odoľte si tieto pokyny.** Často na ne odkazujte a používajte ich na poučenie ostatných, ktorí môžu tento stroj používať. Ak niekomu požičiate tento stroj, odovzdajte mu aj tieto pokyny, aby sa zabránilo zneužitiu výrobku a prípadnému zraneniu.

## TECHNICKÉ ÚDAJE

Priemer šnekového vrtáka/otvoru	200 mm	
Maximálna hĺbka vrtania	990 mm	
Hmotnosť (bez akumulátora)	3,7 kg	
Odporúčaná prevádzková teplota	- 20 °C až 40 °C	
Odporúčaná skladovacia teplota	- 40 °C až 70 °C	
Hladina akustického výkonu $L_{WA}$	97,6 dB(A) K=3 dB(A)	
Hladina akustického tlaku $L_{PA}$	89,6 dB(A) K=3 dB(A)	
Vibrácie $a_h$	Pravá rukováť	2,52 m/s <sup>2</sup> K=1,5 m/s <sup>2</sup>
	Ľavá rukováť	2,45 m/s <sup>2</sup> K=1,5 m/s <sup>2</sup>

- Deklarovaná celková hodnota vibrácií bola meraná v súlade so štandardnou skúšobnou metódou a môže sa použiť na vzájomné porovnanie jednotlivých strojov.
- Uvádzaná celková hodnota vibrácie sa môže použiť aj na predbežný odhad expozície.

**POZNÁMKA:** Emisia vibrácií pri skutočnom používaní stroja sa môže odlišovať od deklarovanej hodnoty, pri akej sa stroj používa; za účelom ochrany obsluhy má používateľ v skutočných podmienkach použitia nosiť rukavice a ochranu sluchu.

## ODPORÚČANÉ PRÍSLUŠENSTVO

**VAROVANIE:** Používajte len príslušenstvo uvedené nižšie. Používanie príslušenstva, ktoré nespĺňa špecifikácie originálneho vybavenia, môže viesť k nesprávnemu výkonu a ohrozeniu bezpečnosti.

NÁZOV DIELU	ČÍSLO MODELU
Čepeľ šnekového vrtáka do ľadu	AB08001

SK

## OBSAH BALENIA (OBR. A)

### POPIS

#### ZOZNÁMTE SA S VAŠIM ŠNEKOVÝM VRTÁKOM DO LADU (obr. A)

1. Šnekový vrták do ľadu
2. Zaisťovacia skrutka
3. Ochranný kryt čepele
4. Čepeľ na ľad
5. Imbusový kľúč (6 mm)

### MONTÁŽ

#### INŠTALÁCIA ŠNEKOVÉHO VRTÁKU DO LADU

**VAROVANIE:** Šnekový vrták je veľmi ostrý. Aby ste predišli zraneniu osôb, pri čistení, inštalácii alebo demontáži šnekového vrtáka dbajte na zvýšenú opatnosť. Pri údržbe šnekového vrtáka vždy používajte ochranné rukavice.

1. Uvoľnite a odstráňte zaisťovaciu skrutku zo šnekového vrtáka do ľadu.
2. Namontujte horný koniec šnekového vrtáka na hňací hriadeľ pohonnej hlavy (obr. B1).
3. Zarovnajte spojovacie otvory na šnekovom vrtáku a hňacom hriadeľi.
4. Pomocou zaisťovacej skrutky zaistíte šnekový vrták na hňacom hriadeľi. Pomocou dodaného 6 mm imbusového kľúča bezpečne utiahnite zaisťovaciu skrutku (obr. B2).

B1-1	Hňací hriadeľ	B1-2	Horný koniec šnekového vrtáka do ľadu
B2-1	Hňací hriadeľ	B2-2	Zaisťovacia skrutka
B2-3	Plochá strana		

**POZNÁMKA:** Uistite sa, že zaisťovacia skrutka je zasunutá do spojovacích otvorov z plochej strany otvoru pre šnekový vrták.

### PREVÁDZKA

#### POUŽITIE

Tento výrobok môžete použiť na tieto uvedené účely:

- Vŕtanie otvorov do ľadu pomocou šnekového vrtáka do ľadu.

#### ZAPNUTIE/VYPNUTIE VRTÁČKY DO LADU

Pozrite si časť „ZAPNUTIE/VYPNUTIE POHONNEJ HLAVY“ v návode na obsluhu pohonnej hlavy PHA7400E.

**POZNÁMKA:** Pred spustením výrobu si nasadte ochranné rukavice a odstráňte ochranný kryt čepele na ľad.

#### PRÁCA S VRTÁČKOU DO LADU

##### **VAROVANIE:**

- Pred použitím stroja sa obráťte na miestne rozvodné závody, aby ste sa vyhli kontaktu s podzemnými inžinierskymi sieťami.
- Nepoužívajte vrtáčku do ľadu na iné účely, než na aké je určená.
- Vrtáčku do ľadu používajte len na vŕtanie otvorov do ľadu.
- Vyhňte sa vŕtaniu do materiálu, o ktorom máte podozrenie, že obsahuje skryté kľince alebo iné veci, ktoré by mohli spôsobiť zaviazanie alebo zlomenie šnekového vrtáka.
- Dávajte pozor na reakčnú silu krútiaceho momentu stroja. Vždy udržiavajte takú pracovnú polohu, aby ste vydržali reakčnú silu krútiaceho momentu.
- Pri práci na svahoch alebo nerovnom povrchu buďte mimoriadne opatrní.

**POZNÁMKA:** Pred uvedením do prevádzky skontrolujte, či sa v otvoroch alebo pohyblivých častiach nenachádzajú cudzie predmety (piesok, nečistoty atď.).

- a. Uistite sa, že sú nohy pevne položené nad pracovnú plochu a stojte s rukoväťami blízko pásu. Pravú rukoväť pevne držte pravou rukou a ľavú ľavou rukou (obr. C1).

C1-1	Pravá rukoväť	C1-2	Ľavá rukoväť
------	---------------	------	--------------

**VAROVANIE:** Nikdy nedržte pravú rukoväť ľavou rukou a ľavú rukoväť pravou rukou. Nesprávna poloha rúk môže viesť k vážnemu poraneniu (obr. C2).

**VAROVANIE:** Vyhňte sa nesprávnomu umiestneniu (obr. C3). Nestojte príliš ďaleko od stroja. V prípade spätného rázu sa nemusí dosiahnuť správna reakcia a ovládanie.

- b. Šnekový vrták držte ďaleko od tela a šnekový vrták smerujte nadol pod uhlom 90° k povrchu.
- c. Nastavte smer otáčania a rýchlosť otáčania.
- d. Stroj zdvihnite nad povrch. Stlačte a podržte tlačidlo uzamknutia a stlačte hlavný vypínač.

**VAROVANIE:** Nedotýkajte sa šnekového vrtáku, keď je výrobok zapnutý.

- e. Nechajte vrtáčku nabrať plné otáčky.
- f. Spustíte šnekový vrták do povrchu, pričom zachovajte 90° uhol (obr. C4). Nechajte šnekový vrták, aby sa zahryzol do materiálu, a nechajte stroj pracovať.
- g. Keď sa šnekový vrták začne plniť nečistotami, je dôležité ho neustále čistiť, aby sa dosiahol čistý rez a znížilo sa množstvo potrebnej námahy - kým vrtáčka pracuje na plné obrátky, pomaly ju zdvíhajte z otvoru a nechajte nečistoty zo šnekového vrtáka odpadnúť.
- h. Po použití tohto stroja uvoľnite hlavný vypínač a nechajte vrtáčku úplne zastaviť.
- i. Pri prerušení práce, napríklad počas prestávky, nenechávajte stroj zasunutý v ľade ani ho neopierajte o stenu. Namontujte ochranný kryt čepele na vrták do ľadu a uložte stroj do stabilnej polohy.

#### TYPY NA POUŽÍVANIE VRTÁČKY DO ĽADU

- Nadmerným tlakom na stroj sa vrtanie neurčí. Nadmerný tlak len poškodí hrot šnekového vrtáka, zníži výkon stroja a skráti jeho životnosť.
- Pri vrtaní hlbokého otvoru alebo vrtaní v ilovitej pôde sa nesnažte vrtáť naraz. Vykopte otvor zdvihnutím stroja nahor a nadol, aby sa uvoľnená zemina v otvore mohla vysypať.
- Ak sa rýchlosť otáčania stroja v dôsledku prevádzky s vysokým zaťažením spomalí, stroj trochu nadvihnite a pohybujte ním hore a dole, aby ste vrtali po menších úsekoch.
- Zaseknutý šnekový vrták sa dá odstrániť jednoduchým nastavením vrtáčky do spätného chodu, aby sa dal vytiahnuť. Pri spätnom chode podoprite stroj vašim telom, aby ste zabránili reakcii v smere hodinových ručičiek.
- Pred prácou so šnekovým vrtákom do ľadu na zamrznutých rybníkoch, jazerách alebo vodných nádržiach sa poraďte s miestnymi úradmi a prijmite všetky potrebné opatrenia na zabezpečenie bezpečnej hrúbky ľadu.
- Pri vyberaní šnekového vrtáka do ľadu z otvoru zdvihnite stroj do zvislej polohy, aby vrták vyšiel rovno bez naklonenia. Aby ste pri vrtaní otvorov do ľadu minimalizovali postriekanie, uvoľnite hlavný vypínač okamžite, keď šnekový vrták do ľadu prerazí ľad. Stroj pomaly zdvihnite. Zakryte a zreteľne označte vrty, aby ste zabránili tomu, že niekto vstúpi do otvoru.

#### ÚDRŽBA

**VAROVANIE:** Aby nedošlo k vážnemu zraneniu, tak pred vykonávaním údržby, čistením, výmenou príslušenstva alebo odstraňovaním materiálu z výrobku vyberte akumulátor z náradia.

#### VŠEOBECNÁ ÚDRŽBA

Na čistenie plastových dielov nepoužívajte rozpúšťadlá. Väčšina plastov je náchylná na poškodenie rôznymi typmi komerčných rozpúšťadiel a môžu sa poškodiť, ak sa rozpúšťadlá použijú. Použite čistú handru na odstránenie nečistôt, prachu, oleja, maziva, atď.

**VAROVANIE:** Nikdy nedovoľte, aby sa brzdové kvapaliny, benzín, ropné výrobky, penetračné oleje atď. dostali do kontaktu s plastovými časťami. Chemické látky môžu poškodiť, oslabiť alebo zničiť plast, čo môže viesť k vážnemu zraneniu.

#### VÝMENA ČEPELÍ NA ĽAD

Ak vrtáčka do ľadu pri vrtaní otvorov do ľadu skáče po ľade alebo pomaly prerezáva ľad, možno bude potrebné vymeniť čepele na ľad.

Potrebné nástroje: 6 mm imbusový kľúč (súčasť dodávky), 3 mm imbusový kľúč (nie je súčasť dodávky)

1. Odstráňte akumulátor z vrtáčky, vyberte šnekový vrták do ľadu z hnacieho hriadeľa pohonnej hlavy pomocou 6 mm imbusového kľúča, ktorým uvoľníte a odstránite zaistovaciu skrutku.
2. Nasadte si ochranné rukavice a odstráňte ochranný kryt čepele na ľad (obr. D1).
3. Pomocou 3 mm imbusového kľúča uvoľníte a odstráňte skrutky a čepele na ľad zo šnekového vrtáka do ľadu. (Obr. D2).
4. Vymeňte ich za nové čepele a pevne ich utiahnite.
5. Nainštalujte ochranný kryt čepele.

D1-1	Ochranný kryt čepele	D1-2	Čepele na ľad
D2-1	Skrutka	D2-2	Čepeľ na ľad

#### ULOŽENIE ŠNEKOVÉHO VRTÁKA DO ĽADU

1. Vyberte akumulátor.
2. Odstráňte šnekový vrták z hnacieho hriadeľa pohonnej hlavy.
3. Pred uskladnením šnekový vrták dôkladne vyčistite.
4. Namontujte ochranný kryt čepele na šnekový vrták do ľadu.

SK

5. Šnekový vrták skladujte na suchom, dobre vetranom mieste, uzamknutý alebo na vyvýšenom mieste, mimo dosahu detí. Neskladujte šnekový vrták na hnojivách, benzíne alebo iných chemikáliách, ani v ich blízkosti.

### Ochrana životného prostredia



Nevyhadzujte elektrické zariadenia, nabíjačku a použité akumulátory do domového odpadu! Tento výrobok odneste na autorizované recyklačné miesto a poskytnite ho na separovaný zber.

Elektrické náradie sa musí odovzdať do príslušného zariadenia na ekologicky šetrnú recykláciu.

SK

**KEES VAN DER SPEK**  
TUIN EN PARKMACHINES ★ TER AAR

## ODSTRÁNĎOVANIE PORÚCH

PROBLÉM	PRÍČINA	RIEŠENIE
Stroj sa nespustí alebo sa neočakávané zastaví.	<ul style="list-style-type: none"> <li>Nízka kapacita akumulátora.</li> <li>Akumulátor je prehriaty alebo príliš studený.</li> <li>Kábel pravej rukoväte nie je správne spojený s káblom pohonnej hlavy.</li> </ul>	<ul style="list-style-type: none"> <li>Nabite akumulátor.</li> <li>Počkajte, kým akumulátor nevychladne alebo sa nezahreje, a potom môžete vrtáčku opäť spustiť.</li> <li>Káble pravej rukoväte a elektrickej hlavy pripojte podľa časti „<b>MONTÁŽ RUKOVÄTÍ</b>“ v návode na obsluhu pohonnej hlavy PHA7400E.</li> </ul>
Počas prevádzky je príliš veľký hluk a/alebo vibrácie.	<ul style="list-style-type: none"> <li>Niektoré časti sú uvoľnené.</li> </ul>	<ul style="list-style-type: none"> <li>Zastavte vrtáčku, vyberte akumulátor, skontrolujte a utiahnite uvoľnené časti.</li> </ul>
Motor beží, ale šnekový vrták zostáva nehybný.	<ul style="list-style-type: none"> <li>Uvoľnený šnekový vrták.</li> </ul>	<ul style="list-style-type: none"> <li>Znovu nainštalujte šnekový vrták podľa kapitoly „<b>INŠTALÁCIA ŠNEKOVÉHO VRTÁKA DO ĽADU</b>“ v tejto príručke.</li> </ul>
Vrtáčka do ľadu skáče po ľade alebo pomaly prerezáva ľad.	<ul style="list-style-type: none"> <li>Čepele sú tupé alebo poškodené.</li> </ul>	<ul style="list-style-type: none"> <li>Vymeňte ho za nové čepele podľa časti „<b>VÝMENA ČEPELÍ NA ĽAD</b>“ v tejto príručke.</li> </ul>
Smer alebo rýchlosť otáčania vrtáčky sa po stlačení voliča smeru/rýchlosti otáčania neprepína.	<ul style="list-style-type: none"> <li>Prepínanie smeru otáčania medzi pohybom vpred a vzad je možné len vtedy, keď je vrtáčka zastavená.</li> <li>Ďalšie neidentifikované príčiny.</li> </ul>	<ul style="list-style-type: none"> <li>Úplne zastavte vrtáčku, posuňte volič smeru otáčania/rýchlosti na požadované otáčky a potom vrtáčku opäť spustite.</li> <li>Pre opravu kontaktujte servis EGO.</li> </ul>

SK

## ZÁRUKA

### ZÁRUČNÁ POLITIKA EGO

Úplné znenie záručných podmienok EGO nájdete na webovej stránke [egopowerplus.eu](http://egopowerplus.eu).

## OLVASSA EL AZ ÖSSZES UTASÍTÁST!



### OLVASSA EL A HASZNÁLATI ÚTMUTATÓT

**▲ FIGYELMEZTETÉS:** A biztonságosság és megbízhatóság biztosítása érdekében minden javítást szakképzett szerviztechnikusnak kell elvégeznie.

## BIZTONSÁGI SZIMBÓLUM

A biztonsági szimbólumok célja, hogy felhívják a figyelmet az esetleges veszélyekre. Nagyon figyeljen a biztonsági szimbólumokra és magyarázatokra, ill. ezek megértésére. A szimbólumok figyelmeztetései önmagukban nem hátrítják el a veszélyeket. Az utasítások és figyelmeztetések nem helyettesítik a megfelelő balesetmegelőző intézkedéseket.

**▲ FIGYELMEZTETÉS:** A szerszám használata előtt feltétlenül olvassa el és értse meg a jelen kezelési útmutatóban található valamennyi biztonsági utasítást, valamint a „VESZÉLY”, „FIGYELMEZTETÉS”, és „FIGYELEM” biztonsági figyelmeztető szimbólumokat is. Az alább felsorolt utasítások be nem tartása áramütést, tűzveszélyt és/vagy súlyos személyi sérülést idézhet elő.

## BIZTONSÁGI ELŐÍRÁSOK

Ezen az oldalon olyan biztonsági szimbólumok láthatók és olvashatók, amelyek megjelenhetnek a terméken. Az összeszerelés vagy működtetés előtt olvassa el, értse meg és tartsa be a gép minden utasítását.



Biztonsági figyelmeztetés



A sérülések kockázatának csökkentése érdekében a használónak el kell olvasnia a használati útmutatót.



Viseljen szemvédőt



Viseljen fülvédőt



Az elhasznált elektromos termékek nem helyezhetők a háztartási hulladékok közé. Vigye hivatalos újrahasznosító telephelyre.



A termék megfelel az érvényes EK irányelveknek.



Egyenáram



Ez a termék megfelel az Egyesült Királyság hatályos jogszabályainak.

V Feszültség

kg Kilogramm

°C Celsius

mm Milliméter

/min Fordulat / perc

IPX4 Fröccsenő víz elleni védelem

HU

## ÁLTALÁNOS GÉPBIZTONSÁGI FIGYELMEZTETÉSEK

**▲ FIGYELMEZTETÉS:** Olvassa el a szerszámhoz mellékelt összes biztonsági figyelmeztetést, utasítást, illusztrációt és specifikációt. Az alább felsorolt utasítások be nem tartása áramütést, tűzveszélyt és/vagy súlyos sérülést idézhet elő.

**Őrizzen meg minden figyelmeztetést és utasítást, hogy később is elő tudja majd venni.**

### A munkaterület biztonsága

- A munkaterület legyen tiszta és jól megvilágított. A munkaterületen uralkodó rendtelenségnek vagy a rossz megvilágításnak baleset lehet a következménye.
- Ne használja a szerszámot robbanásveszélyes környezetben, például olyan helyen, ahol éghető folyadékok, benzin vagy porok vannak jelen. A szerszám szikrákat képez, amelyek meggyújthatják a port vagy gázt.
- Tartsa távol a gyermekeket és a közelben tartózkodó személyeket, amikor a szerszámmal dolgozik. Ha megzavarják, elveszítheti uralmát a készülék felett.

### Elektromos biztonság

- A szerszám csatlakozóinak illeszkedniük kell az aljzathoz. Soha és semmiképpen se módosítsa a csatlakozódugót. Ne használjon adapteres csatlakozódugókat a (földelt) szerszámokhoz. Az eredeti csatlakozódugó és megfelelő hálózati aljzat alkalmazásával megelőzi az áramütés veszélyét.
- Ne érjen földelt felületekhez, ilyenek pl. a csövek, fűtőtestek, tűzhelyek vagy hűtőszekrények. Az áramütés kockázata nagyobb, ha a teste le van földelve.
- Ne tegye ki a szerszámot esőnek vagy nedves körülményeknek. A gépbe jutó víz növeli az áramütés kockázatát.
- Ne használja a kábelt helytelen módon. Soha ne a vezetéknel fogva hordozza, húzza, vagy válassza le a szerszámot. Tartsa távol a vezetéket hőtől, olajtól, éles szegélyektől és mozgó alkatrészekről. A sérült vagy összegabalyodott hálózati kábelek megnövelik az áramütés veszélyét.
- A szerszám szabadtéri üzemeltetéséhez használjon szabadtéren használható hosszabbító kábelt. A szabadtéren használható kábel alkalmazása csökkenti az áramütés kockázatát.

- Ha elkerülhetetlen, hogy a gépet nedves helyen működtesse, használjon földelő áramköri megszakítóval (GFCI) ellátott tápellátást. A GFCI használata csökkenti az áramütés veszélyét.

### Személyes biztonság

- Legyen éber, ügyeljen rá, mit csinál, és járjon el a józanul a szerszám használata során. Ne használja a szerszámot, ha fáradtnak érzi magát, vagy ha kábítószert, alkoholt vagy gyógyszerek hatása alatt áll. A szerszámok üzemeltetése közben egy pillanatnyi figyelmetlenség is súlyos személyi sérülést okozhat.
- Használjon egyéni védőfelszerelést. Mindig viseljen védőszemüveget. A védőfelszerelések – mint például porvédő maszk, csúszásmentes lábbeli, sisak és hallásvédő – rendeltetészerű használata révén elkerüli a személyi sérüléseket.
- Akadályozza meg a véletlen indítást. Ügyeljen arra, hogy a kapcsoló kikapcsolt állásban legyen, mielőtt az áramforráshoz és/vagy az akkumulátoregységhez csatlakoztatja, felveszi vagy viszi a szerszámot. Balesethez vezethet, ha a hálózatra csatlakoztatott szerszámot úgy viszi, vagy a hálózati csatlakozódugót úgy csatlakoztatja az aljzathoz, hogy közben az ujjja a bekapcsoló gombon van.
- A szerszám bekapcsolása előtt távolítson el minden beállító kulcsot vagy csavarkulcsot. Személyi sérülést okozhat, ha a szerszámban felejtett csavarkulcs vagy beállító kulcs forgó alkatrészhez ér.
- Ne hajoljon a készülék fölé. Vegyen fel stabil testhelyzetet, és mindig tartsa meg az egyensúlyát. Ez lehetővé teszi a szerszám jobb irányítását váratlan helyzetekben.
- Viseljen megfelelő ruházatot. Ne hordjon laza, bő ruhát, és ne viseljen ékszert. A haj és a ruházat ne érjen a mozgó részekhez. A laza ruházatot, az ékszert vagy a hosszú hajat becsíphetik a mozgó alkatrészek.
- Ha az elektromos kéziszerszámot porfelszívó vagy porfelfogó eszközzel szerelik fel, akkor győződjön meg arról, hogy ezek előírászerűen vannak csatlakoztatva, és használja őket a rendeltetésüknek megfelelően. Porgyűjtő használata csökkentheti a porral járó veszélyeket.
- Ne hagyja, hogy a rendszeres használat során megszerzett tapasztalat miatt túl magabiztosá váljon, és emiatt figyelmen kívül hagyja a biztonsági irányelveket. Egy óvatlan cselekedet a másodperc töredéke alatt súlyos sérülést okozhat.

## A gép használata és gondozása

- Ne erőltesse a gépet. Használja az alkalmazásának megfelelő szerszámot. A megfelelő szerszámmal jobban és biztonságosabban dolgozhat a megadott teljesítményhatárokon belül.
- Ne használja a szerszámot, ha nem lehet a bekapcsoló gombbal be- vagy kikapcsolni. Az olyan szerszám, amely nem irányítható a kapcsolóval, veszélyes és javításra szorú.
- Húzza ki a hálózati csatlakozó dugót az aljzatból és/vagy, ha lehet, vegye ki az akkumulátoregységet az elektromos szerszámból, mielőtt beállításokat végezne, tartozékokat cserélne vagy az elektromos szerszámot elrakná. A megelőző biztonsági óvintézkedések csökkentik a szerszám véletlen beindításának kockázatát.
- A használaton kívüli szerszámot tartsa gyermekek elől elzár helyen, és ne engedje, hogy olyanok használják a szerszámot, akik nem ismerik a szerszámot vagy a jelen használati útmutatót. A szerszám veszélyt jelent, ha gyakorlatlan felhasználó kezébe kerül.
- Gépek és tartozékok karbantartása. Ellenőrizze a mozgó alkatrészek beállítását és rögzítését, vizsgáljon meg minden alkatrészt, hogy nem sérült-e, és ellenőrizze, nem állnak-e fenn olyan körülmények, amelyek befolyásolhatják a szerszám működését. Ha sérült, használat előtt javíttassa meg a szerszámot. A rosszul karbantartott szerszám sok balesetet okoz.
- Tartsa a vágógépeket éles, tiszta állapotban. A megfelelően karbantartott és megélezett vágóélekkel rendelkező vágószerszámok kevésbé hajlamosak az elgörbülésre, valamint könnyebben kezelhetők.
- A szerszámot, tartozékokat és szerszámfejeket, stb. mindig a biztonsági utasításoknak megfelelően használja, figyelembe véve a munkakörülményeket és az elvégezni kívánt munkafolyamatot. A szerszám rendeltetési céltól eltérő használata veszélyes helyzetet eredményezhet.
- Tartsa szárazon, tisztán, olajtól és zsírtól mentesen a fogantyúkat és a tartófelületeket. A csúszós fogantyúk és markolatok miatt a szerszám kezelése és vezérése váratlan helyzetekben nem biztonságos.

## Az akkumulátoros gép használata és gondozása

- Csak a gyártó által meghatározott töltőt használja. Az olyan töltő, amely egy típusú akkumulátoregységhez alkalmas, tűzveszélyt okozhat, ha más típusú akkumulátoregységhez használja.

- A készülékeket csak a kifejezetten hozzá készült akkumulátoregységekkel használja. Bármely más akkumulátoregység használata sérülés- vagy tűzveszélyt okozhat.
- Amikor nem használja az akkumulátoregységet, tartsa távol más fémtárgyaktól, például gemkapcsoktól, érméktől, kulcsoktól, szögektől, csavaroktól vagy más kis fémtárgyaktól, amelyek kapcsolatba léphetnek vele. Az akkumulátorok kapcsainak rövidzárlata égési sérülést vagy tüzet okozhat.
- Nem megfelelő körülmények között folyadék szivároghat az akkumulátorból; ügyeljen rá, hogy ne kerüljön érintkezésbe vele. Amennyiben véletlenül hozzárne, mossa le vízzel. Ha ez a folyadék szembe kerül, forduljon orvoshoz. Az akkumulátorból kiszivárgó folyadék irritációt vagy égési sérülést okozhat.
- Ne használjon sérült, módosított akkumulátoregységet vagy szerszámot. A sérült vagy módosított akkumulátorok előre nem látható viselkedést válthatnak ki, amelynek eredménye tűz, robbanás vagy sérülésveszély lehet.
- Ne tegye ki az akkumulátoregységet és a szerszámot tűznek vagy túl magas hőmérsékletnek. Ha tűznek, vagy 130 °C feletti hőmérsékletnek teszi ki, akkor felrobbanhat.
- Tartsa be a töltésre vonatkozó utasításokat, és ne töltse az akkumulátoregységet vagy a szerszámot az utasításokban meghatározott hőmérséklet-tartományon kívül. A nem megfelelő vagy a meghatározott hőmérséklet-tartományon kívüli töltés károsíthatja az akkumulátort, és növeli a tűzveszélyt.

## Szervizelés

- A gépet szakképzett személlyel, eredeti cserealkatrész felhasználásával javíttassa meg. Ezzel biztosítja a szerszám biztonságának fenntartását.
- Soha ne szervizeljen sérült akkumulátoregységeket. Az akkumulátoregységek szervizelését csak a gyártó vagy a felhatalmazott szerviz szolgáltató végezheti.

## BIZTONSÁGI FIGYELMEZTETÉSEK A JÉG-FÚRÓHOZ

- Cserélje ki a fúrót, ha megrepedt, elhajlott vagy bármilyen módon megsérült. A gép sérült fúróval történő üzemeltetése súlyos sérülést okozhat.
- Soha ne használja a fúrót úgy, hogy a fogantyúk derékmagasság felett vannak. Ez korlátozza a fúró irányítását, és növelheti a sérülésveszélyt.

- **Tartsa a gépet mindkét kezével az e célra szolgáló fogantyúknál.** A szerszám feletti uralom elvesztése személyi sérüléseket okoz.
- **A gépet a szigetelt tartófelületeknél fogva tartsa, amikor olyan műveletet végez, ahol a kotró munkaszerelek rejtett vezetéket éríthet.** A „feszültség alatti” vezetékkel érintkező kotró munkaszerelek „feszültség alá” helyezheti a gép burkolat nélküli fémrészeit, és a gépkezelő áramütést szenvedhet
- **Az áramütés veszélyének csökkentése érdekében soha ne használja a fúrót földbe fektetett elektromos vezetékek közelében.** A földbe fektetett elektromos vezetékekkel való érintkezés vagy azok közelében történő használat súlyos sérülést vagy halálos áramütést okozhat.
- **A gépet mindig alacsony fordulatszámon és úgy indítsa el, hogy a fúrófej csúcsa érintkezzen a talajjal.** Nagyobb sebesség mellett a fej hajlamos elgörbülni, ha szabadon hagyják forogni a talajhoz történő hozzáérés nélkül, és így személyi sérülést okozhat.
- **Egyenes vonalban és ne túl nagy erővel gyakoroljon nyomást a fejre.** A fúrószárak elgörbülhetnek, ami a fúrószár töréséhez vagy a szerszám feletti kontroll elvesztéséhez vezethet, ez pedig személyes sérülést okozhat.
- **Mindig ügyeljen arra, hogy jól vesse meg a lábát.** Győződjön meg róla, hogy senki sincs alatta, amikor a gépet magas helyeken használja.
- **Tartsa erősen a gépet.**
- **Tartsa távol a kezét a forgó alkatrészekről.**
- **Ne hagyja a gépet járni. A gépet csak kézben tartva működtesse.**
- **Ne érintse meg a fúrófejet közvetlenül használat után.** Rendkívül forró lehet, és megégetheti a bőrét.
- **Ha valami baj van a géppel, például rendellenes hangokat ad ki, azonnal hagyja abba a használatát, és kérjen javítást helyi szervizközponttól.**
- **A robbanásveszély csökkentése érdekében soha ne használja a fúrót földbe fektetett gázvezetékek közelében, beleértve a vízvezetékeket és -csöveket is.** A földbe fektetett víz- vagy gázvezetékekkel való érintkezés vagy azok közelében történő használat a vízvezetékek felszakadását és a gázvezetékek robbanását eredményezheti, ami súlyos sérülést vagy halált okozhat.
- **Soha ne üzemeltesse a fúróhegy maximális fordulatszámánál nagyobb fordulatszámon.** Magasabb sebesség mellett a fej hajlamos elgörbülni, ha szabadon hagyják forogni a munkadarabhoz történő

hozzáérés nélkül, ezzel személyi sérülést okozva.

- **Az akkumulátorral működő gépeket nem kell hálózati aljzathoz csatlakoztatni; ezért mindig működőképés állapotban vannak. Legyen tisztában a lehetséges veszélyekkel akkor is, ha a gép nem működik.** Legyen óvatos karbantartás és szervizelés közben.
- Ne mossa tömlővel; ne kerüljön víz a motorba és az elektromos csatlakozásokba.
- A jégkések nagyon élesek. Lyuk fúrásakor vagy a kések cseréjekor fokozott óvatossággal járjon el. Minden használat után tegye fel a késvédőt.
- Gyakran ellenőrizze és győződjön meg arról, hogy a rögzítőcsavar a helyén van-e rögzítve.
- Csak a meghatározott akkumulátorokkal és töltőkkel használható.

**Őrizze meg ezt az útmutatót.** Időnként olvassa át, és használja, amikor másokat betanít a gép használatára. Ha valakinek kölcsön adja ezt a gépet, akkor adja át a használati utasítást is a helytelen használat és lehetséges sérülések elkerülése érdekében.

## JELLEMZŐK

Fúrófej/lyuk átmérője	200 mm	
Maximális fúrási mélység	990 mm	
Súly (akkumulátoregység nélkül)	3,7 kg	
Javasolt üzemi hőmérséklet	-20 °C és 40 °C között	
Javasolt tárolási hőmérséklet	-40 °C és 70 °C között	
Mért hangteljesítményszint $L_{WA}$	97,6 dB(A) K=3 dB(A)	
Hangnyomásszint $L_{PA}$	89,6 dB(A) K=3 dB(A)	
Vibráció $a_h$	Jobb oldali fogantyú	2,52 m/s <sup>2</sup> K=1,5 m/s <sup>2</sup>
	Bal oldali fogantyú	2,45 m/s <sup>2</sup> K=1,5 m/s <sup>2</sup>

- A névleges rezgési összérték mérése standard bevizsgálási módszerrel történt, és használatával a gépek egymással összehasonlíthatók.

HU

- A névleges rezgési összérték a kockázat előzetes felméréséhez is felhasználható.

**MEGJEGYZÉS:** A rezgés-kibocsátás a gép aktuális használata közben eltérhet attól a névleges értéktől, amellyel a gépet használják: a kezelő védelme érdekében a felhasználónak kesztyűt és fülvédőt kell használnia a tényleges használati körülmények mellett.

## JAVASOLT TARTOZÉKOK

**▲ FIGYELMEZTETÉS:** Csak az alábbiakban felsorolt tartozékokat használja. Az olyan tartozékok használata, amelyek nem felelnek meg az eredeti eszköz műszaki adatainak, nem megfelelő teljesítményt eredményez, és befolyásolja a biztonságot.

ALKATRÉSZ NEVE	MODELLSZÁM
Jégfúró kés	AB08001

## A CSOMAG TARTALMA (A ÁBRA)

### LEÍRÁS

#### A JÉGFÚRÓ FEJ BEMUTATÁSA (A. ábra)

1. Jégfúró fej
2. Rögzítőcsavar
3. Késvédő
4. Jégkés
5. Imbuszkulcs (6 mm)

## ÖSSZESZERELÉS

### A JÉGFÚRÓ FEJ BESZERELÉSE

**▲ FIGYELMEZTETÉS:** A fúrófej nagyon éles. A személyi sérülések elkerülése érdekében a fúrófej tisztításakor, beszerelésekor vagy eltávolításakor fokozott óvatossággal járjon el. Mindig viseljen védőkesztyűt, amikor az fúrófejen karbantartást végez.

1. Lazítsa meg és távolítsa el a jégfúró fejről a rögzítőcsavart.
2. Szerelje fel a fúrófej felső végét a motorfej hajtótengelyére (B1 ábra).
3. Igazítsa egymáshoz a fúrófejen és a hajtótengelyen lévő csatlakozófuratokat.
4. A rögzítőcsavarral rögzítse a fúróhegyet a hajtótengelyhez. Használja a tartozék 6 mm-es imbuszkulcsot a rögzítőcsavar biztonságos meghúzásához (B2 ábra).

B1-1	Hajtótengely	B1-2	A jégfúró fej felső vége
B2-1	Hajtótengely	B2-2	Rögzítőcsavar
B2-3	Lapos oldal		

**MEGJEGYZÉS:** Győződjön meg róla, hogy a rögzítőcsavar a fúróhegy furatának lapos oldaláról van behelyezve a csatlakozó furatokba.

## HASZNÁLAT

### ALKALMAZÁS

A terméket az alább felsorolt célokra használhatja:

- Lyukak fúrása a jégbe a jégfúró fejjel.

### A JÉGFÚRÓ BEINDÍTÁSA/LEÁLLÍTÁSA

Lásd a „MOTORFEJ INDÍTÁSA/LEÁLLÍTÁSA” fejezetet a PHA7400E motorfej kezelői kézikönyvében.

**MEGJEGYZÉS:** A termék beindítása előtt viseljen védőkesztyűt, és távolítsa el a jégkésvédőt.

### MUNKAVÉGZÉS A JÉGFÚRÓVAL

#### ▲ FIGYELMEZTETÉS:

- A gép használata előtt a földalatti közművekkel való érintkezés elkerülése érdekében lépjen kapcsolatba a helyi közműszolgáltatóval a földalatti közművek egyeztetése céljából.
- Ne használja a jégfúrót a rendeltetésétől eltérő célra.
- A jégfúróval csak jégbe fúrjon lyukakat.
- Kerülje az olyan anyagban való ásást, amelyről gyanítja, hogy rejtett szökeket vagy más olyan dolgokat tartalmaz, amelyek a földfúró fej megakadását vagy törését okozhatják.
- Figyeljen a gép nyomatékreakciós erejére. Mindig úgy tartsa a működési pozíciót, hogy ellen tudjon állni a nyomatékreakciós erőnek.
- Legyen rendkívül óvatos, amikor lejtőkön vagy egyenetlen talajon dolgozik.

**MEGJEGYZÉS:** Üzembe helyezés előtt ellenőrizze, hogy a nyílásokba vagy a mozgó alkatrészekbe nem akad-e idegen anyag (homok, szennyeződés stb.).

- a. Győződjön meg róla, hogy a lábai szilárdan a munkafelület felett vannak, és álljon úgy, hogy a fogantyúk a derékhoz közel vannak. Fogja meg határozottan a jobb fogantyút a jobb kezével, a bal fogantyút pedig a bal kezével (C1 ábra).

C1-1	Jobb oldali fogantyú	C1-2	Bal oldali fogantyú
------	----------------------	------	---------------------

**▲ FIGYELMEZTETÉS:** Soha ne fogja a jobb fogantyút bal kézzel, a bal fogantyút pedig jobb kézzel. A nem megfelelő kéztartás súlyos sérülést okozhat (C2 ábra).

**▲ FIGYELMEZTETÉS:** Kerülje a helytelen pozicionálást (C3 ábra). Ne álljon túl messze a géptől. Visszarúgás esetén előfordulhat, hogy a megfelelő reakció és irányítás nem érhető el.

- b. Tartsa a fűrőfejet távol a testétől, és a fűrőfejet a felszínhez képest 90° os szögben lefelé irányítva.
- c. Állítsa be a forgás irányát és a forgási sebességet.
- d. Emelje a gépet a felszín fölé. Nyomja meg és tartsa lenyomva a reteszelőgombot, és nyomja meg az indítógombot.

**▲ FIGYELMEZTETÉS:** Ne nyúljon a fűrőfejhez, amikor a termék be van kapcsolva.

- e. Hagyja, hogy a fűrő teljes sebességre kapcsoljon.
- f. Engedje le a fűrőfejet a felszínbe a 90°-os szöget megtartva (C4 ábra). Hagyja, hogy a fűrőfej belekapjon az anyagba, és hagyja, hogy a gép végezze a munkát.
- g. Ahogy a fűrőfej kezd megtelni törmelékkel, fontos, hogy folyamatosan tisztítsa azt a tiszta vágás és a szükséges erő kifejtés csökkentése érdekében - miközben a fűrő teljes sebességgel működik, lassan emelje ki a lyukból, és hagyja, hogy a törmék eltávozzon a fűrőfejről.
- h. A gép használata után engedje el az indítókapcsolót, és hagyja, hogy a fűrő teljesen megálljon.
- i. Ha elhagyja a gépet, például szünet idejére, ne hagyja a gépet a jégbe behelyezve, és ne támassza falnak. Szerelje fel a késvédőt a jégfűrőra, és tárolja a gépet stabil helyzetben.

#### TIPPEK A JÉGFÚRÓ HASZNÁLATÁHOZ

- A gép túlzott nyomása nem gyorsítja fel az ásást. A túlzott nyomás csak a fűrőfej csúcsának sérülését, a gép teljesítményének csökkenését és a gép élettartamának lerövidülését eredményezi.
- Ha mély gödröt fúr vagy agyagos talajban fúr, ne próbáljon egyszerre ásni. A gödröt a gép fel- és leemeléssel ássa ki, hogy a gödörben lévő laza talajt ki lehessen üríteni.
- Ha a gép forgási sebessége a nagy terhelésű művelet miatt lelassul, emelje fel a gépet egy kicsit, és mozgassa fel-le a gépet kis lépésekben végzett fúráshoz.
- Az elakadt fűrőfej egyszerűen eltávolítható, ha a fűrőt hátrameneti fordulatra állítja, hogy visszahúzódjon.

Visszahúzásnál támassza meg a gépet a testével, hogy megakadályozza az óramutató járásával megegyező irányú reakciót.

- Mielőtt befagyott tavakon vagy áramlatokon jégfűrő fejjel dolgozna, tájékozódjon a helyi hatóságoknál, és tegyen meg minden szükséges óvintézkedést a biztonságos jégvastagság biztosítása érdekében.
- Amikor kiveszi a jégfűrőt a lyukból, emelje meg a gépet függőlegesen, hogy a jégfűrő egyenesen, dőlés nélkül jöjjön ki. A jéglyukak fúrásakor a fröccsenés minimálisra csökkentése érdekében azonnal engedje fel az indítókapcsolót, amikor a jégfűrő fej áttöri a jeget. Lassan emelje fel a gépet. Fedje le és egyértelműen jelölje meg a fűrőlyukakat, így akadályozhatja meg, hogy bárki belelépjen a lyukba.

## KARBANTARTÁS

**▲ FIGYELMEZTETÉS:** A súlyos személyi sérülések elkerülése érdekében távolítsa el az akkumulátoregységet a készülékből szervizelés, tisztítás, tartozékok cseréje vagy anyagok szerszámból való eltávolítása közben.

### ÁLTALÁNOS KARBANTARTÁS

A műanyag alkatrészek tisztításához ne használjon oldószereket. A legtöbb műanyag különböző vegyi oldószerek hatására károsodik, ezek megrongálhatják őket. Használjon tiszta ruhát a szennyeződés, por, olaj, zsír, stb. eltávolításához.

**▲ FIGYELMEZTETÉS:** Soha ne engedje, hogy fékolaj, benzin, petróleum alapú termékek, penetráló olaj stb. a műanyag alkatrészekre kerüljön. A vegyszerek megrongálhatják, gyengíthetik vagy megtámadhatják a műanyagot, ezáltal súlyos személyi sérülést okozhatnak.

### A JÉGKÉSEK CSERÉJE

Ha a jégfűrő a jégen ugrál, vagy lassan vágja át a jeget a jéglyukak fúrásakor, akkor a jégkéseket ki kell cserélni.

Szükséges eszközök: 6 mm-es imbuszkulcs (tartozék), 3 mm-es imbuszkulcs (nem tartozék)

1. Vegye ki az akkumulátoregységet a fűrőből, és a 6 mm-es imbuszkulccsal lazítsa meg és távolítsa el a rögzítőcsavart, hogy le tudja venni a jégfűrőt a motorfej hajtótengelyéről.
2. Viseljen védőkesztyűt, és vegye le a jégkésvédőt (D1 ábra).
3. A 3 mm-es imbuszkulcs segítségével lazítsa meg és távolítsa el a csavarokat és a jégkéseket a jégfűrő fejről (D2 ábra).
4. Cserélje ki új késekre, és húzza meg őket biztonságosan.

5. Szerelje fel a késvédőt.

D1-1	Késvédő	D1-2	Jégek
D2-1	Csavar	D2-2	Jégek

## A JÉGFÚRÓ FEJ TÁROLÁSA

1. Vegye le az akkumulátoregységet.
2. Távolítsa el a fúrófejet a motorfej hajtótengelyéről.
3. Tárolás előtt alaposan tisztítsa meg a földfúrót.
4. Szerelje fel a késvédőt a jégfúró fejre.
5. A földfúrót száraz, jól szellőző, elzárt vagy magas helyen tárolja, ahol gyermekek nem érik el. Ne tárolja a földfúrót trágya, benzin vagy más vegyszerek mellett.

## Környezetvédelem



Ne dobja az elektromos felszerelést, az elhasznált akkumulátort és a töltőt a háztartási hulladékok közé! Vigye hivatalos újrahasznosító telephelyre, és tegye hozzáférhetővé a szelektív gyűjtéshez. Az elektromos eszközöket megfelelő környezetbarát újrahasznosító üzembe kell vinni.

HU

KEES VAN DER SPEK  
TUIN EN PARKMACHINES \* TER AAR

## HIBAEHÁRÍTÁS

PROBLÉMA	OK	MEGOLDÁS
A gép nem indul vagy váratlanul leáll.	<ul style="list-style-type: none"> <li>Az akkumulátoregység töltöttsége alacsony.</li> <li>Az akkumulátoregység túlmelegedett vagy túl hideg.</li> <li>A jobb oldali fogantyú kábele nincs megfelelően csatlakoztatva a motorfej kábeléhez.</li> </ul>	<ul style="list-style-type: none"> <li>Töltse fel az akkumulátoregységet.</li> <li>Várja meg, amíg az akkumulátoregység lehül vagy felmelegszik, ekkor a fúrót újra be lehet indítani.</li> <li>Csatlakoztassa a jobb oldali fogantyú és a motorfej kábeleit a PHA7400E motorfej kezelési útmutatójának „<b>A FOGANTYÚK BESZERELÉSE</b>” című szakasza szerint.</li> </ul>
Túl nagy a zaj és/vagy a rezgés működés közben.	<ul style="list-style-type: none"> <li>Néhány alkatrész meglazult.</li> </ul>	<ul style="list-style-type: none"> <li>Állítsa le a fúrót, vegye ki az akkumulátoregységet, ellenőrizze és húzza meg a laza alkatrészeket.</li> </ul>
A motor jár, de a fűrőfej mozdulatlan marad.	<ul style="list-style-type: none"> <li>Laza fűrőfej.</li> </ul>	<ul style="list-style-type: none"> <li>Szerelje vissza a fűrőfejet a jelen kézikönyv „<b>A JÉGFÚRÓ FEJ BESZERELÉSE</b>” című szakaszának megfelelően.</li> </ul>
A jégfúró ugrál a jégen, vagy lassan vágja át a jeget.	<ul style="list-style-type: none"> <li>A kések tompák vagy sérültek.</li> </ul>	<ul style="list-style-type: none"> <li>Cserélje ki új késekre a jelen kézikönyv „<b>A JÉGKÉSEK CSERÉJE</b>” című szakaszának megfelelően.</li> </ul>
A forgásirány/sebesség-választó megnyomása után a fúró forgási iránya vagy sebessége nem változik.	<ul style="list-style-type: none"> <li>A forgásirány előre és hátra váltása csak akkor lehetséges, ha a fúró le van állítva.</li> <li>Egyéb ismeretlen okok.</li> </ul>	<ul style="list-style-type: none"> <li>Állítsa le teljesen a fúrót, tolja a forgásirány/sebességválasztót a kívánt forgásirányra, majd indítsa újra a fúrót.</li> <li>Javítás céljából forduljon az EGO szervizhez.</li> </ul>

HU

## GARANCIA

### EGO GARANCIÁLIS FELTÉTELEK

Kérjük, látogasson el az [egopowerplus.eu](http://egopowerplus.eu) oldalra, ahol megtalálja a részletes EGO garanciális feltételeket.

## CITIȚI TOATE INSTRUCȚIUNILE!



### CITIȚI MANUALUL DE INSTRUCȚIUNI

**⚠️ AVERTISMENT:** Pentru siguranța și fiabilitatea produsului, toate reparațiile trebuie efectuate de către un tehnician de service autorizat.

## SIMBOLUL DE SECURITATE

Scopul simbolurilor privind siguranța este să vă atragă atenția asupra pericolelor posibile. Simbolurile privind siguranța și explicațiile furnizate cu acestea merită atenția și înțelegerea dumneavoastră. Avertizările simbolurilor nu elimină, prin ele însele, niciun pericol. Instrucțiunile și avertizările pe care le oferă acestea nu pot înlocui măsurile adecvate de prevenire a accidentelor.

**⚠️ AVERTISMENT:** Asigurați-vă că ați citit și înțelegiți toate instrucțiunile privind siguranța din acest Manual de utilizare, inclusiv toate simbolurile de alertă privind siguranța precum „PERICOL”, „AVERTIZARE” și „ATENȚIE” înainte de a utiliza această sculă. Nerespectarea tuturor instrucțiunilor enumerate mai jos poate duce la electrocutare, incendiu și/sau vătămări corporale grave.

## INSTRUCȚIUNI PRIVIND SIGURANȚA

Această pagină descrie simbolurile de siguranță ce pot apărea pe acest produs. Citiți, înțelegeți și respectați toate instrucțiunile de pe mașină înainte de asamblare și utilizare.



Alertă privind siguranța



Pentru a reduce riscul de accidentări, utilizatorul trebuie să citească manualul de instrucțiuni.



Purtați echipament de protecție oculară



Purtați echipament de protecție auditivă



Deșeurile produselor electrice nu trebuie să fie eliminate împreună cu deșeurile menajere. Predați-le unui punct de reciclare autorizat.



Acest produs este în conformitate cu directivele europene aplicabile.



Curent continuu



Acest produs este în conformitate cu legislația aplicabilă din Marea Britanie.

V Tensiune

kg Kilograme

°C Celsius

mm Milimetru

/min rotații pe minut

IPX4 Protecție împotriva stropilor de apă

RO

## AVERTIZĂRI GENERALE DE SIGURANȚĂ PENTRU MAȘINI

**⚠️ AVERTISMENT:** Citiți toate avertizările de siguranță, instrucțiunile, ilustrațiile și specificațiile livrate împreună cu această mașină. Nerespectarea tuturor instrucțiunilor enumerate mai jos se poate solda cu șoc electric, incendiu și/sau vătămare corporală gravă.

**Păstrați toate avertizările și instrucțiunile pentru consultare ulterioară.**

### Siguranța zonei de lucru

- **Păstrați zona de lucru curată și bine iluminată.** Zonele dezordonate și întunecoase predisun la accidente.
- **Nu utilizați utilajele în atmosfere explozive, cum ar fi în prezența lichidelor inflamabile, a benzinei sau a prafului.** Mașinile creează scântei, care pot aprinde praful sau gazele.
- **Țineți copiii și persoanele prezente la distanță atunci când utilizați o mașină.** Distragerea atenției vă poate face să pierdeți controlul.

### Siguranța electrică

- **Ștecherile mașinilor trebuie să corespundă cu priza electrică. Nu modificați niciodată ștecherul în vreun fel. Nu utilizați ștechere adaptoare de priză cu mașinile echipate cu împământare.** Ștecherile nemodificate și prizele adecvate vor reduce riscul de electrocutare.
- **Evitați contactul corpului cu suprafețele legate la împământare, cum sunt țevile, caloriferele, mașinile de gătit și frigiderere.** Există un risc crescut de șoc electric dacă corpul dumneavoastră este legat la pământ sau împământat.
- **Nu expuneți mașinile la ploaie sau la condiții de umezeală.** Apa care pătrunde în interiorul mașinii va crește riscul de electrocutare.
- **Nu folosiți în mod abuziv cablul de alimentare. Nu utilizați niciodată cablul de alimentare pentru transportul, tragerea sau scoaterea din priză a mașinii. Țineți cablul departe de căldură, ulei, margini ascuțite sau piese în mișcare.** Cablurile electrice deteriorate sau încălcite cresc riscul de electrocutare.
- **Când utilizați o mașină în aer liber utilizați un cablu prelungitor adecvat pentru utilizarea în aer liber.** Utilizarea unui cablu adecvat pentru utilizare în aer liber reduce riscul de electrocutare.

- **În cazul în care este inevitabil să folosiți o mașină într-o loc umedă, utilizați o sursă de alimentare protejată cu întrerupător de circuit cu împământare.** Utilizarea unui întrerupător GFCI reduce riscul de electrocutare.

### Siguranța personală

- **Păstrați-vă vigilența, urmăriți ceea ce faceți și apelați la bunul simț când utilizați o mașină. Nu utilizați o mașină când sunteți obosit(ă), sau sub influența medicamentelor, a alcoolului ori a medicației.** Un moment de neatenție în timp ce utilizați mașini se poate solda cu vătămări grave.
- **Utilizați echipamente individuale de protecție. Purtați întotdeauna echipament de protecție oculară. Echipamentele de protecție, cum ar fi masca de praf, bocancii de protecție antiderapanți, casca sau antifoaiele utilizate în condiții corespunzătoare, vor reduce vătămrile corporale.**
- **Preveniți pornirea accidentală. Asigurați-vă că întrerupătorul este în poziția oprit înainte de a conecta mașina la o sursă de alimentare și/sau set de acumulatori, înainte de a ridica sau de a transporta mașina.** Transportul mașinilor cu degetul pe întrerupător sau acționarea mașinilor alimentate electric, predisune la accidente.
- **Îndepărtați orice cheie de reglare sau cheie fixă înainte de a porni mașina.** O cheie lăsată într-o piesă rotativă a mașinii poate duce la vătămări.
- **Nu încercați să ajungeți în locuri inaccesibile. Păstrați-vă stabilitatea și echilibrul în orice moment.** Astfel veți avea un control mai bun asupra mașinii în situații neașteptate.
- **Îmbrăcați-vă corespunzător. Nu purtați haine largi sau bijuterii. Păstrați-vă părul și îmbrăcămintea departe de componentele în mișcare.** Îmbrăcămintea largă, bijuteriile sau părul lung se pot prinde în piesele în mișcare.
- **Dacă sunt furnizate dispozitive pentru conectarea sistemelor de extragere și colectare a prafului, asigurați-vă că acestea sunt conectate și utilizate corespunzător.** Utilizarea dispozitivelor de colectare a prafului poate reduce pericolele legate de praf.
- **Nu permiteți ca familiaritatea dobândită în urma utilizării frecvente a mașinilor să vă facă să neglijați sau să nesocotiți principiile de siguranță ale mașinii.** O operație neglijentă poate cauza vătămări grave într-o fracțiune de secundă.

RO

## Utilizarea și îngrijirea mașinii

- **Nu forțați mașina. Utilizați mașina potrivită pentru aplicația dumneavoastră.** Mașina corectă va face o treabă mai bună și mai sigură când este utilizată conform specificațiilor pentru care a fost concepută.
- **Nu utilizați mașina dacă întrerupătorul nu comută pe pozițiile pornit și oprit.** Orice mașină care nu poate fi controlată cu întrerupătorul este periculoasă și trebuie reparată.
- **Deconectați ștecherul de la sursa de alimentare și/sau scoateți setul de acumulatori, dacă este detașabil, de la mașină înainte de a efectua ajustări, de a schimba accesoriile sau de a depozita mașinile.** Astfel de măsuri preventive reduc riscul de pornire accidentală a mașinii.
- **Păstrați mașinile inactive într-un loc inaccesibil copiilor și nu permiteți persoanelor care nu sunt familiarizate cu mașina sau cu aceste instrucțiuni să opereze mașina.** Mașinile sunt periculoase în mâinile utilizatorilor neinstruiți.
- **Întrețineți mașina și accesoriile. Verificați dacă există abateri de la coaxialitate sau gripări ale pieselor în mișcare, avarii ale pieselor și orice altă situație care poate afecta funcționarea mașinii. Dacă este deteriorată, reparați mașina înainte de utilizare.** Multe accidente sunt cauzate de mașini prost întreținute.

RO

- **Păstrați mașinile de tăiat ascuțite și curate.** Mașinile ascuțite și întreținute corespunzător și cu muchii de tăiere ascuțite riscă mai puțin să se îndoie și sunt mai ușor de controlat.
- **Utilizați mașina, accesoriile și burghiile de mașină etc. în conformitate cu aceste instrucțiuni, ținând cont de condițiile de lucru și lucrarea de efectuat.** Utilizarea mașinii pentru operații diferite de cele intenționate s-ar putea solda cu o situație periculoasă.
- **Mențineți mânerul și suprafețele de apucat uscate, curate și fără ulei și vaselină.** Mânerul și suprafețele de apucare alunecoase nu permit manevrarea în siguranță și controlul asupra mașinii în situații neașteptate.

## Utilizarea și îngrijirea mașinilor cu baterie

- **Reîncărcați numai cu încărcătorul specificat de producător.** Un încărcător adecvat pentru un tip de set de acumulatori poate prezenta risc de incendiu dacă este utilizat cu alt set de acumulatori.
- **Utilizați mașinile numai cu seturile de acumulatori special menționate.** Utilizarea oricărui alt set de acumulatori prezintă risc de accidente și incendiu.

- **Când nu se utilizează setul de acumulatori, țineți-l departe de alte obiecte metalice precum clamele de hârtie, monedele, cheile, cuiele, șuruburile sau alte obiecte metalice mici care pot realiza o conexiune între borne.** Scurtcircuitarea bornelor bateriei poate produce arsuri sau un incendiu.
- **În condiții abuzive se poate scurge lichid din baterie; evitați contactul.** Dacă are loc contactul accidental, clătiți cu apă. Dacă lichidul intră în contact cu ochii, efectuați suplimentar un consult medical. Lichidul scurs din baterie poate produce iritații sau arsuri.
- **Nu utilizați un set de acumulatori sau o mașină deteriorată ori modificată.** Acumulatorii deteriorați sau modificați pot prezenta comportament imprevizibil, care poate duce la incendiu, explozie sau risc de vătămare.
- **Nu expuneți setul de acumulatori la foc sau mașina la temperaturi excesive.** Expunerea la foc sau la temperaturi de peste 130°C poate provoca explozie.
- **Respectați instrucțiunile de încărcare și nu încărcați setul de acumulatori sau mașina în afara intervalului de temperatură specificat în instrucțiuni.** Încărcarea necorespunzătoare sau la temperaturi în afara domeniului specificat poate duce la deteriorarea bateriei și la creșterea riscului de incendiu.

## Operațiile de service

- **Duceți mașina electrică la depanat pentru a fi reparată de o persoană calificată utilizând numai piese de schimb identice.** Acest lucru va asigura menținerea siguranței mașinii.
- **Nu efectuați niciodată operații de service asupra seturilor de acumulatori deteriorați.** Depanarea acumulatorilor trebuie să fie efectuată numai de producător sau de prestatorii autorizați de servicii.

## AVERTISMENTE DE SIGURANȚĂ PENTRU BURGIUL SOIRALAT PENTRU GHEAȚĂ

- **Înlocuiți burghiile spiralate dacă sunt crăpate, îndoite sau deteriorate în orice fel.** Operarea mașinii cu un burghiu spiralat deteriorat poate duce la răni grave.
- **Nu folosiți niciodată burghiu spiralat cu mânerul deasupra nivelului taliei.** Acest lucru restricționează controlul burghiului spiralat și poate crește riscul de rănire.
- **Țineți aparatul cu ambele mâini la mânerul prevăzute.** Pierderea controlului poate cauza vătămare corporală.

- **Țineți mașina de suprafețele de prindere izolate, atunci când efectuați o operațiune în care accesoriul de săpare poate intra în contact cu cabluri ascunse.**

Accesoriul de săpare care intră în contact cu un fir „sub tensiune” poate face ca părțile metalice expuse ale mașinii să fie „sub tensiune” și poate provoca operatorului un șoc electric.

- **Pentru a reduce riscul de electrocutare, nu utilizați niciodată mașina de foraj în apropierea cablurilor electrice îngropate.** Contactul sau utilizarea în apropierea cablurilor electrice îngropate poate provoca vătămări grave sau electrocutare care poate duce la moarte.
- **Porniți întotdeauna mașina la viteză redusă și cu vârful burghiului în contact cu solul.** La viteze mai mari, burghiul este posibil să se îndoie dacă este lăsat să se rotească liber fără să atingă solul, ceea ce poate duce la vătămări corporale.

- **Apăsați direct liniar cu burghiul și nu apăsați excesiv.** Burghiile se pot îndoii ducând la rupere sau la pierderea controlului, cauzând vătămări.

- **Asigurați-vă întotdeauna că aveți un picior ferm.** Asigurați-vă că nu este nimeni dedesubt atunci când utilizați mașina în locuri înalte.

- **Țineți ferm mașina.**

- **Țineți mâinile departe de piesele rotative.**

- **Nu lăsați mașina în funcțiune. Utilizați mașina numai când este ținută în mână.**

- **Nu atingeți burghiu spiral imediat după utilizare.** Poate fi extrem de cald și îți poate arde pielea.

- **Dacă ceva este în neregulă cu aparatul, cum ar fi sunete anormale, opriți imediat funcționarea și contactați centrul local de service pentru reparații.**

- **Pentru a reduce riscul de explozie, nu utilizați niciodată burghiu spiral lângă conducte de gaz îngropate, inclusiv conducte de apă și conducte.** Contactul sau utilizarea în apropierea conductelor de apă sau de gaz îngropate poate duce la ruperea conductelor de apă și la explozia de la conductele de gaz, ceea ce poate cauza vătămări grave sau deces.

- **Nu acționați niciodată la o viteză mai mare decât viteza maximă nominală a burghiului spiral.** La viteze mai mari, este foarte probabil ca burghiul să se îndoie dacă i se permite rotirea în gol fără a intra în contact cu piesa, rezultând vătămări.

- **Aparatele care funcționează cu baterii nu trebuie să fie conectate la o priză electrică; prin urmare, acestea sunt întotdeauna în stare de funcționare. Fiți atenți la pericolele posibile chiar și atunci când mașina nu este în funcțiune.** Aveți grijă când efectuați operații de întreținere sau de service.

- **Nu spălați scula cu furtunul de grădină; evitați pătrunderea apei în motor și în conexiunile electrice.**

- **Lamele de gheață sunt foarte ascuțite. Aveți grijă extremă atunci când faceți o gaură sau înlocuiți lamele.** Puneți protecția lamei după fiecare utilizare.

- **Verificați frecvent și asigurați-vă că șurubul de blocare este fixat pe loc.**

- **Utilizați numai cu acumulatori și încărcătoarele specificate.**

**Păstrați aceste instrucțiuni.** Consultați-le frecvent și utilizați-le pentru a instrui alte persoane care ar putea utiliza această mașină. Dacă împrumutați cuiva această mașină, împrumutați-i și aceste instrucțiuni pentru a preveni utilizarea inadecvată a produsului și posibile răni.

## SPECIFICAȚII

Diametrul burghiului spiralat/ găurii	200 mm	
Adâncimea maximă de forare	990 mm	
Greutate (fără set de acumulatori)	3,7 kg	
Temperatură de funcționare recomandată	-20°C - 40°C	
Temperatură de depozitare recomandată	-40°C - 70°C	
Nivel de putere sonoră măsurată $L_{WA}$	97,6 dB(A) K=3 dB(A)	
Nivel de presiune sonoră $L_{PA}$	89,6 dB(A) K=3 dB(A)	
Vibrații $a_n$	Mâner dreapta	2,52 m/s <sup>2</sup> K=1,5 m/s <sup>2</sup>
	Mâner stânga	2,45 m/s <sup>2</sup> K=1,5 m/s <sup>2</sup>

- Valoarea totală declarată a vibrațiilor a fost măsurată în conformitate cu o metodă standard de testare și poate fi utilizată pentru compararea mașinilor între ele.

- Valoarea totală declarată poate fi utilizată în evaluarea preliminară a expunerii.

RO

**OBSERVAȚIE:** Vibrațiile emise în timpul utilizării efective a mașini electrice pot diferi față de valoarea celor declarate pentru scula utilizată; Pentru protejarea operatorului, utilizatorul trebuie să poarte mănuși și protecții auditive în timpul utilizării efective a produsului.

## ACCESORII RECOMANDATE

**⚠️ AVERTISMENT:** Utilizați numai accesoriile enumerate mai jos. Utilizarea accesoriilor care nu respectă specificațiile echipamentului original poate duce la performanțe necorespunzătoare și la compromiterea siguranței.

DENUMIREA PIESELOR	NUMĂR MODEL
Lamă burghiu spiralat pentru gheață	AB08001

## LISTA COMPONENTELOR (FIG. A)

### DESCRIEREA

#### CUNOAȘTE-ȚI BURGHIUL SPIRALAT PENTRU GHEAȚĂ (Fig. A)

- Burghiu spiralat pentru gheață
- Șurub de blocare
- Apărătoare lamă
- Lama de gheață
- Cheie hexagonală (6 mm)

### ASAMBLARE

#### INSTALAREA BURGHIULUI SPIRALAT PENTRU GHEAȚĂ

**⚠️ AVERTISMENT:** Burghiu spiralat este foarte ascuțit. Pentru a preveni vătămarea corporală, fiți extrem de precauți atunci când curățați, instalați sau îndepărtați burghiu spiralat. Purtați întotdeauna mănuși de protecție atunci când efectuați lucrări de întreținere la burghiu spiralat.

- Slăbiți și scoateți șurubul de blocare de pe burghiu spiralat pentru gheață.
- Montați capătul superior al burghiului spiralat pe arborele de angrenare al capului de putere (Fig. B1).
- Aliniați orificiile de conectare pe burghiu spiralat și arborele de angrenare.

- Utilizați șurubul de blocare pentru a fixa burghiu spiralat pe arborele de angrenare. Utilizați cheia hexagonală de 6 mm furnizată pentru a strânge bine șurubul de blocare (Fig. B2).

B1-1	Arbore de angrenare	B1-2	Capătul superior al burghiului spiralat pentru gheață
B2-1	Arbore de angrenare	B2-2	Șurub de blocare
B2-3	Partea plană		

**OBSERVAȚIE:** Asigurați-vă că șurubul de blocare este introdus în orificiile de conectare din partea plată a orificiului burghiului spiralat.

## FUNȚIONARE

### APLICARE

Puteți utiliza acest produs în scopurile menționate mai jos:

- Forarea găurilor în gheață folosind burghiu spiralat pentru gheață.

**PORNIREA/OPRIREA BURGHIULUI SPIRALAT DE GHEAȚĂ** Consultați secțiunea „PORNIRE/OPRIRE A CAPULUI MOTOR” din manualul de utilizare a capului motor PHA7400E.

**OBSERVAȚIE:** Purtați mănuși de protecție și îndepărtați protecția lamei de gheață înainte de a începe produsul.

### LUCRUL CU BURGHIUL SPIRALAT DE GHEAȚĂ

#### ⚠️ AVERTISMENT:

- Contactați utilitarul local pentru marcarea serviciului subteran înainte de a utiliza mașina pentru a evita contactul cu utilitățile subterane.
- Nu utilizați burghiu spiralat pentru gheață pentru altceva decât scopul propus.
- Utilizați burghiu spiralat pentru gheață pentru a foră numai în gheață.
- Evitați să săpați în material despre care bănuieți că conține cuie ascunse sau alte lucruri care pot provoca legarea sau ruperea burghiului spiralat.
- Rămâneți atent la forța de reacție a cuplului mașinii. Păstrați întotdeauna poziția de funcționare astfel încât să puteți rezista forței de reacție a cuplului.
- Fiți extrem de precauți atunci când lucrați pe pante sau pe suprafețe neuniforme.

**OBSERVAȚIE:** Înainte de a opera, verificați dacă nu există materii străine (nisip, murdărie etc.) blocate în deschideri sau piese în mișcare.

- a. Asigurați-vă că picioarele sunt ferm plasate deasupra suprafeței de lucru și stați cu mânerul aproape de talie. Țineți ferm mânerul drept cu mâna dreaptă și mânerul stâng cu mâna stângă (Fig. C1).

C1-1	Mâner dreapta	C1-2	Mâner stânga
------	---------------	------	--------------

**AVERTISMENT:** Nu țineți niciodată mânerul drept cu mâna stângă și mânerul stâng cu mâna dreaptă. Pozițiile necorespunzătoare ale mâinilor pot duce la vătămări grave (Fig. C2).

**AVERTISMENT:** Evitați poziționarea necorespunzătoare (Fig. C3). Nu stați prea departe de mașină. Este posibil să nu se obțină o reacție și un control adecvat în caz de recul.

- b. Țineți burghiul spiralat departe de corp și burghiul spiralat îndreptat în jos la un unghi de 90° față de suprafață.
- c. Setează direcția de rotație și viteza de rotație.
- d. Ridicați aparatul deasupra suprafeței. Țineți apăsat butonul de blocare și apăsați declanșatorul comutatorului.

**AVERTISMENT:** Nu atingeți burghiul spiralat când produsul este pornit.

- e. Lăsați burghiul spiralat să câștige viteză maximă.
- f. Coborâți burghiul spiralat în suprafață, menținând unghiul de 90° (Fig. C4). Lăsați burghiul spiralat să muște în material, lăsând mașina să lucreze.
- g. Pe măsură ce burghiul începe să se umple cu resturi, este important să îl curățați în mod constant pentru a produce o tăietură curată și pentru a reduce cantitatea de efort necesară - în timp ce burghiul spiralat funcționează la viteză maximă, ridicați-l încet din gaură și permiteți resturilor să se îndepărteze de burghiul spiralat.
- h. După utilizarea acestei mașini, eliberați comutatorul de declanșare și permiteți burghiului spiralat să se oprească complet.
- i. Când părăsiți aparatul, cum ar fi în timpul unei pauze, nu lăsați aparatul introdus în gheață și nu îl sprijiniți de perete. Montați protecția lamei pe burghiul spiralat pentru gheață și depozitați mașina într-o poziție stabilă.

## SFATURI PENTRU UTILIZAREA A BURGHIUL SPIRALAT PENTRU GHEAȚĂ

- Apăsarea excesivă pe mașină nu va accelera săpăturile. Presiunea excesivă va servi doar la deteriorarea vârfului burghiului spiralat, la scăderea performanței mașinii și la scurtarea duratei de viață a mașinii.
- Când forțați o gaură adâncă sau forțați în sol argilos, nu încercați să săpați imediat. Săpați gaura ridicând mașina în sus și în jos, astfel încât solul slăbit din gaură să poată fi descărcat.
- Dacă viteza de rotație a mașinii încetinește din cauza funcționării cu sarcină mare, ridicați puțin mașina și mutați mașina în sus și în jos pentru a găuri în pași mici.
- Un burghiul spiralat blocat poate fi îndepărtat pur și simplu prin setarea burghiul spiralat în rotație inversă pentru a se retrage. Când dați înapoi, sprijiniți mașina de corp pentru a preveni o reacție în sensul acelor de ceasornic.
- Înainte de a lucra cu un burghiul spiralat pentru gheață pe iazuri, lacuri sau aburi înghețați, consultați autoritățile locale și luați toate măsurile de precauție necesare pentru a asigura o grosime sigură a gheții.
- Când scoateți burghiul spiralat pentru gheață din orificiu, ridicați mașina vertical, astfel încât burghiul să iasă drept, fără să se încline. Pentru a minimiza stropirea atunci când găuriți găuri de gheață, eliberați comutatorul de declanșare imediat când melcul de gheață se sparge prin gheață. Ridicați încet aparatul. Acoperiți și marcați clar forajele la preveni ca nimeni să nu pășească într-o gaură.

RO

## ÎNȚREȚINEREA

**AVERTISMENT:** Pentru prevenirea vătămarilor corporale grave, scoateți setul de acumulatori din produs înainte de a depana, curăța, înlocui accesorile sau de a îndepărta materialul din aparat.

### ÎNȚREȚINERE GENERALĂ

Evitați utilizarea solvenților când curățați piese din plastic. Majoritatea pieselor din plastic sunt susceptibile să se deterioreze de la diverse tipuri de solvenți comerciali și se pot defecta prin utilizarea acestora. Utilizați o cârpă curată pentru a îndepărta murdăria, praful, uleiul, vaselina etc.

**AVERTISMENT:** Nu permiteți niciodată lichidelor de frână, benzinei, produselor petroliere, uleiurilor penetrante etc. să vină în contact cu piese din plastic. Substanțele chimice pot deteriora, pot fragiliza sau pot distruge plasticul, ceea ce se poate solda cu vătămări grave.

## ÎNLOCUIREA LAMELOR DE GHEAȚĂ

Dacă burghiul spiralat pentru gheață sare pe gheață sau taie încet prin gheață atunci când forează găuri în gheață, este posibil ca lamele de gheață să trebuiască să fie înlocuite.

Scule necesare: Cheie hexagonală de 6 mm (furnizată), cheie hexagonală de 3 mm (nefurnizată)

1. Scoateți acumulatorul din melc și scoateți burghiul spiralat pentru gheață din arborele de angrenare al capului de putere utilizând cheia hexagonală de 6 mm pentru a slăbi și scoate șurubul de blocare.
2. Purtați mănuși de protecție și scoateți protecția lamei de gheață (Fig. D1).
3. Folosind cheia hexagonală de 3 mm, slăbiți și scoateți șuruburile și lamele de gheață de pe burghiul spiralat (Fig. D2).
4. Înlocuiți-le cu lame noi și strângeți-le în siguranță.
5. Instalați protecția lamei.

D1-1	Apărătoare lamă	D1-2	Lame de gheață
D2-1	Șurub	D2-2	Lama de gheață

## DEPOZITAREA BURGHIULUI SPIRALAT PENTRU GHEAȚĂ

1. Îndepărtați setul de acumulatori.
2. Scoateți burghiul melc din arborele de angrenare al capului de alimentare.
3. Curățați bine burghiul spiralat înainte de a-l depozita.
4. Montați protecția lamei pe burghiul spiralat pentru gheață.
5. Depozitați burghiul spiralat într-o zonă uscată și bine ventilată, încuiat sau la înălțime, inaccesibil copiilor. Nu depozitați burghiul spiralat pe sau lângă îngrășăminte, benzină sau alte substanțe chimice.

### Protejarea mediului înconjurător



Nu eliminați echipamentul electric, bateria epuizată și încărcătorul de baterii împreună cu deșeurile menajere! Predați acest produs unui punct de reciclare autorizat sau puneți-l la dispoziția colectării separate. Sculele electrice trebuie returnate unui centru de reciclare ecologic.

RO

## DEPANARE

PROBLEMĂ	CAUZĂ	SOLUȚIE
Mașina nu pornește sau se oprește în mod neașteptat.	<ul style="list-style-type: none"> <li>■ Capacitate redusă a acumulatorului.</li> <li>■ Acumulatorul este supraîncălzit sau prea rece.</li> <li>■ Cablul mânerului din dreapta nu este conectat corect la cablul capului de putere.</li> </ul>	<ul style="list-style-type: none"> <li>■ Încărcați setul de acumulatori.</li> <li>■ Așteptați ca acumulatorul să se răcească sau să se încălzească, moment în care burghiul spiralat poate fi pornit din nou.</li> <li>■ Conectați cablurile mânerului drept și ale capului de alimentare urmând secțiunea „<b>INSTALAREA MĂNERELOR</b>” în motorul motorului PHA7400E manualul de utilizare.</li> </ul>
Există prea mult zgomot și / sau vibrații în timpul funcționării.	<ul style="list-style-type: none"> <li>■ Unele părți slăbite.</li> </ul>	<ul style="list-style-type: none"> <li>■ Opriți burghiul spiralat , scoateți acumulatorul, verificați și strângeți piesele libere.</li> </ul>
Motorul funcționează, dar burghiul spiralat rămâne staționar.	<ul style="list-style-type: none"> <li>■ Burghiu spiralat slăbit.</li> </ul>	<ul style="list-style-type: none"> <li>■ Reinstalați burghiul spiralat urmând secțiunea „<b>INSTALAREA BURGHIULUI PIRALAT PENTRU GHEAȚĂ</b>” din acest manual.</li> </ul>
Burghiul spiralat pentru gheață sare pe gheață sau taie încet prin gheață.	<ul style="list-style-type: none"> <li>■ Lamele sunt tocite sau deteriorate.</li> </ul>	<ul style="list-style-type: none"> <li>■ Înlocuiți cu lame noi urmând secțiunea „<b>ÎNLOCUIREA LAMELOR DE GHEAȚĂ</b>” din acest manual.</li> </ul>
Direcția sau viteza de rotație a burghiul spiralat nu sunt comutate după împingerea direcției de rotație / selectorului de viteză.	<ul style="list-style-type: none"> <li>■ Schimbarea direcției de rotație între înainte și înapoi este posibilă numai atunci când burghiul spiralat este oprit.</li> <li>■ Alte cauze neidentificate.</li> </ul>	<ul style="list-style-type: none"> <li>■ Opriți complet burghiul spiralat, împingeți selectorul direcției de rotație / vitezei la rotația dorită și apoi porniți din nou burghiul spiralat.</li> <li>■ Contactați service-ul EGO pentru reparații.</li> </ul>

**RO**

## GARANȚIE

### POLITICA PRIVIND GARANȚIA EGO

Vă rugăm să consultați site-ul [egopowerplus.eu](http://egopowerplus.eu) pentru termenii și condițiile complete ale politicii privind garanția EGO.

**PREBERITE VSA NAVODILA!****PREBERITE PRIROČNIK Z NAVODILI ZA UPORABO****⚠ OPOZORILO:** Za zagotovitev varnosti in zanesljivosti mora vsa popravila izvesti usposobljen servisni tehnik.**VARNOSTNI SIMBOL**

Namen varnostnih simbolov je, da vas opozorijo na morebitne nevarnosti. Bodite pozorni na varnostne simbole in njihova pojasnila ter jih poskušajte razumeti. Opozorilni simboli sami ne odpravljajo nobene nevarnosti. Navodila in opozorila niso nadomestilo za ustrezne ukrepe za preprečevanje nesreč.

**⚠ OPOZORILO:** Pred uporabo tega orodja preberite in razumite vsa varnostna navodila v tem priročniku, vključno z vsemi varnostnimi opozorilnimi simboli, kot so »NEVARNOST«, »OPOZORILO« in »POZOR«. Zaradi neupoštevanja spodaj navedenih navodil lahko pride do električnega udara, požara in/ali resnih telesnih poškodb.

**VARNOSTNA NAVODILA**

Na tej strani so prikazani in opisani varnostni simboli, ki se lahko pojavijo na tem izdelku. Preberite, osvojite in sledite navodilom na stroju, preden ga boste poskušali sestaviti in upravljati.



Varnostno opozorilo



Za zmanjšanje nevarnosti telesnih poškodb je pomembno, da uporabnik prebere priročnik z navodili za uporabo.



Nosite zaščito za oči



Nosite zaščito za ušesa



Odpadnih električnih izdelkov ne odlagajte med gospodinjne odpadke. Onesite v pooblaščen obrat za recikliranje.



Ta izdelek je skladen z veljavnimi direktivami ES.

**SL**

Enosmerni tok



Ta izdelek je skladen z veljavno zakonodajo VB.

V Napetost

kg Kilogram

°C Celzij

mm Milimeter

/min Število vrtljajev na minuto

IPX4 Zaščita pred pljuski vode

## SPLOŠNA VARNOSTNA NAVODILA ZA NAPRAVE

**⚠ OPOZORILO:** Preberite vsa varnostna opozorila, navodila, slike in tehnične podatke, ki so priloženi tej napravi. Zaradi neupoštevanja spodaj navedenih navodil lahko pride do električnega udara, požara in/ali hudih telesnih poškodb.

Vsa opozorila in navodila shranite za kasnejšo uporabo.

### Varnost delovnega območja

- Delovno območje naj bo čisto in dobro osvetljeno. Na neurejenih ali temnih območjih se hitro zgodijo nesreče.
- Ne uporabljajte strojev v eksplozivnih okoljih, kot na primer v prisotnosti vnetljivih tekočin, bencina ali prahu. Naprave ustvarjajo iskre, ki lahko povzročijo vžig prahu ali hlapov.
- Med uporabo naprave poskrbite, da otroci in mimoidoči ne bodo v bližini. Zaradi motenj lahko izgubite nadzor.

### Električna varnost

- Vtiči naprave se morajo prilegati vtičnicam. Vtiča nikoli ne smete spreminjati na kakršen koli način. Z ozemljenimi napravami ne uporabljajte nikakršnih adapterskih vtičev. Nespremenjeni vtiči in pripadajoče vtičnice bodo zmanjšali tveganje električnega udara.
- Izogibajte se telesnemu stiku z ozemljenimi površinami, kot so cevi, radiatorji, štedilniki in hladilniki. Če je vaše telo ozemljeno, obstaja povečano tveganje električnega udara.
- Naprav ne izpostavljajte dežju ali mokrim razmeram. Voda v napravi poveča tveganje električnega udara.
- Ne poškodujte električnega kabla. Kabla ne uporabljajte za nošenje, vlečenje ali odklop naprave. Kabel hranite stran od vročine, olja, ostrih robov ali premikajočih se delov. Poškodovani ali zapleteni kablji zvišujejo tveganje električnega udara.
- Med uporabo naprave na prostem uporabite podaljšek, ki je primeren za uporabo na prostem. Uporaba kabla, primerne za zunanjo uporabo, znižuje tveganje električnega udara.
- Če je uporaba naprave na vlažnem mestu neizogibna, uporabite napajanje, zaščiteno s prekinjevalcem zemeljskega tokokroga. Uporaba stikalca bo zmanjšala nevarnost električnega udara.

### Osebnostna varnost

- Med uporabo naprave bodite pozorni, spremljajte potek dela in uporabljajte zdrav razum. Naprave ne uporabljajte, kadar ste utrujeni oziroma pod vplivom drog, alkohola ali zdravil. Trenutek nepazljivosti med uporabo naprave lahko povzroči hude telesne poškodbe.
- Uporabljajte osebno varovalno opremo. Vedno uporabljajte zaščito za oči. Če v določenih okoliščinah nosite ustrezno zaščitno opremo, kot so maska proti prahu, zaščitna obutev z nedrsečim podplatom, trdno pokrivalo glave in zaščita za sluh, zmanjšate možnost telesnih poškodb.
- Preprečite neželen zagon. Pred priklopom na vir napajanja in/ali priklopom baterijskega sklopa ter pred dvigovanjem ali nošenjem naprave se prepričajte, da je stikalo v položaju za izklop. Prenajanje naprav s prstom na stikalu ali vklop naprav, pri katerih je stikalo v položaju za vklop, povzroči tveganje za nesreče.
- Pred vklopom naprave odstranite morebitne nastavitvene ali viličaste ključe. Viličasti ali drugi ključ, ki je pritrjen na vrtljivi del naprave, lahko povzroči telesne poškodbe.
- Ne stegujte se preveč. Pazite, da ves čas stojite stabilno in ohranjate ravnotežje. To omogoča boljši nadzor nad napravo v nepričakovanih situacijah.
- Bodite primerno oblečeni. Ne nosite ohlapnih oblačil ali nakita. Pazite, da lasje in oblačila ne pridejo v bližino gibljivih delov. Ohlapna oblačila, nakit ali dolgi lasje se lahko zapletejo v gibljive dele.
- Če imate na voljo naprave za sesanje in zbiranje prahu, preverite, ali so priključene in ali se ustrezno uporabljajo. Uporaba naprav za zbiranje prahu lahko zmanjša nevarnosti, povezane s prahom.
- Čeprav dobro poznate napravo zaradi pogoste uporabe, ne postanite brezbrizni in ne prezrite varnostnih načel naprave. Nepazljivost pri uporabi lahko povzroči hude telesne poškodbe v delcu sekunde.

### Uporaba in nega stroja

- Naprave ne preobremenjujte. Uporabite napravo, ki je primerno za vaše delo. Ustrezna naprava bo nalogo opravila bolje in varneje pri zmogljivosti, za katero je bila zasnovana.
- Naprave ne uporabljajte, če je ni mogoče vklopiti in izklopiti s stikalom. Naprava, ki je ni mogoče upravljati s stikalom, je nevarna in jo je treba popraviti.

SL

- **Pred kakršnimi koli nastavitvami, menjavo dodatne opreme ali shranjevanjem stroja izključite vtič iz vira napajanja in/ali iz naprave odstranite baterijski sklop, če ga je mogoče odstraniti.** Taksi preventivni varnostni ukrepi zmanjšujejo tveganje nenamernega zagona naprave.
- **Neaktivne naprave shranjujte zunaj dosega otrok in osebam, ki niso seznanjene z napravo ali s temi navodili, preprečite upravljanje naprave.** Naprave so v rokah neusposobljenih uporabnikov nevarni.
- **Poskrbite za vzdrževanje naprave in dodatne opreme. Preverite, ali so gibljivi deli nepravilno poravnani ali povezani, ali so deli polomljeni oziroma obstaja kakršno koli drugo stanje, ki bi lahko vplivalo na delovanje naprave. Če je naprava poškodovana, jo pred uporabo popravite.** Veliko nesreč je posledica slabo vzdrževanih naprav.
- **Rezalne naprave naj bodo vedno nabrušene in čiste.** Pravilno vzdrževane rezalne naprave z ostrimi rezili se težje zaskočijo in jih je lažje nadzirati.
- **Napravo, dodatno opremo, dele naprave itd. uporabljajte v skladu s temi navodili, pri tem pa upoštevajte delovne pogoje in delo, ki ga boste opravljali.** Če boste napravo uporabljali za postopke, ki niso predvideni, lahko pride do nevarnih situacij.
- **Ročaji in prijemalne površine naj bodo suhe, čiste in brez madežev olja ali masti.** Drseči ročaji in prijemalne površine ne omogočajo varne uporabe in upravljanja naprave v nepričakovanih situacijah.

## SL

### Uporaba in nega akumulatorskega stroja

- **Baterijo polnite le s polnilnikom, ki ga določa proizvajalec.** Polnilnik, ki je primeren za eno vrsto baterijskih sklopov, morda lahko povzroči nevarnost požara, če z njim polnite drugo vrsto baterijskih sklopov.
- **Naprave uporabljajte samo s predpisano vrsto baterijskih sklopov.** Uporaba katerih koli drugih baterijskih sklopov lahko povzroči tveganje za telesne poškodbe in požar.
- **Ko akumulatorski sklop ni v uporabi, ga hranite ločeno od drugih kovinskih predmetov, kot so sponke za papir, kovanci, ključji, žebelji, vijaki ali drugi majhni kovinski predmeti, ki lahko povzročijo stik med enim in drugim kontaktom.** Kratek stik zaradi povezanih kontaktov baterije lahko povzroči opekline ali požar.
- **Ob zlorabi baterije lahko iz nje brizgne tekočina, stik s katero preprečite. Če se nehote dotaknete tekočine, mesto stika sperite z vodo. Če pride tekočina v stik z očmi, poleg tega poiščite zdravstveno pomoč.** Tekočina, ki brizgne iz baterije,

lahko povzroči draženje ali opekline.

- **ne uporabljajte poškodovanega ali spremenjenega baterijskega sklopa ali naprave.** Poškodovane ali spremenjene baterije se lahko nepredvidljivo vedejo, kar lahko povzroči požar, eksplozijo ali tveganje telesnih poškodb.
- **Baterijskega sklopa ali naprave ne izpostavljajte ognju ali previsokim temperaturam.** Izpostavljenost ognju ali temperaturam nad 130 °C lahko povzroči eksplozijo.
- **Upoštevajte vsa navodila za polnjenje in baterijskega sklopa ali naprave ne polnite zunaj temperaturnega razpona, navedenega v navodilih.** Zaradi nepravilnega polnjenja ali temperature zunaj navedenega razpona lahko pride do poškodb baterije in povečanega tveganja za požar.

### Servisiranje

- **Napravo naj servisira usposobljen serviser, ki uporablja samo enake nadomestne dele.** To bo zagotovilo ohranjanje varnosti naprave.
- **Nikoli ne popravljajte poškodovanih baterijskih sklopov.** Baterijske sklope lahko popravi le proizvajalec ali pooblaščen izvajalec servisiranja.

### VARNOSTNA OPOZORILA ZA VRTALNIK ZA LED

- **Če so svedri razpokani, upognjeni ali kakorkoli poškodovani, jih zamenjajte.** Uporaba stroja s poškodovanim svedrom lahko povzroči hude poškodbe.
- **Nikoli ne uporabljajte svedra z ročaji nad višino pasu.** To lahko omeji nadzor nad svedrom in poveča tveganje za poškodbe.
- **Stroj držite z obema rokama za predvidena držala.** Izguba nadzora lahko povzroči telesne poškodbe.
- **Pri opravljenih, pri katerih se lahko nastavek za kopanje dotakne skrite napeljave, stroj držite za izolirane oprijemalne površine.** Nastavek za kopanje, ki se dotakne žice, ki je pod napetostjo, lahko to napetost prenese na izpostavljene kovinske dele in povzroči električni udar upravljavca.
- **Da zmanjšate nevarnost električnega udara, svedra nikoli ne uporabljajte v bližini zakopanih električnih vodov.** Stik z vkopanimi električnimi kablji ali uporaba stroja v njihovi bližini lahko povzroči hude poškodbe ali električni udar, ki lahko povzroči smrt.
- **Stroj vedno zaženite pri nizki hitrosti in tako, da se konica svedra dotika tal.** Pri večjih hitrostih se nastavek lahko upogne, če se prosto vrti brez stika s tlemi, kar lahko povzroči telesne poškodbe.

- **Pritiskajte le neposredno v smeri svedra brez uporabe prekomerne sile.** Svedri se lahko upognejo, kar povzroči zlom ali izgubo nadzora in posledično telesne poškodbe.
- **Vedno se prepričajte, da imate trdno podlago.** Pri uporabi stroja na visokih mestih se prepričajte, da pod njim ni nikogar.
- **Napravo trdno držite.**
- **Roke držite proč od vrtečih se delov.**
- **Stroja ne pustite delovati brez nadzora. Stroj upravljajte samo takrat, ko ga imate v roki.**
- **Ne dotikajte se svedra takoj po uporabi.** Lahko je zelo vroč in lahko opeče vašo kožo.
- **Če je s strojem kaj narobe, na primer neobičajni zvoki, takoj prenehajte z uporabo in se za popravilo obrnite na lokalni servisni center.**
- **Da bi zmanjšali nevarnost eksplozije, svedra nikoli ne uporabljajte v bližini zakopanih plinskih vodov, vključno z vodovodnimi vodi in cevmi.** Stik ali uporaba v bližini zakopanih vodovodnih ali plinskih napeljav lahko povzroči pokanje vodovodnih napeljav in eksplozijo plinskih napeljav, kar lahko povzroči resne poškodbe ali smrt.
- **Nikoli ne delajte z večjo hitrostjo, kot je največja nazivna hitrost svedra.** Pri višjih hitrostih se sveder lahko upogne, če se prosto vrti, ne da bi se dotaknil obdelovanca, kar lahko povzroči telesne poškodbe.
- **Baterijskih strojev ni treba priključiti v električno vtičnico, zato so vedno v stanju delovanja. Bodite pozorni na morebitne nevarnosti, tudi ko stroj ne deluje.** Bodite previdni pri vzdrževanju ali servisiranju.
- **Naprave ne umivajte s cevjo. Voda ne sme zaiti v motor ali električne priključke.**
- **Rezila za led so zelo ostra. Pri vrtnanju lukenj ali zamenjavi rezil bodite izjemno previdni. Po vsaki uporabi namestite zaščito za rezilo.**
- **Pogosto preverjajte in se prepričajte, da je zaklepni vijak pritrjen na svoje mesto.**
- **Uporabljajte samo priporočene baterijske sklope in polnilnike.**

Ta navodila shranite. Pogosto jih preberite in jih uporabite za poučevanje drugih, ki uporabljajo to napravo. Če ta stroj komu posodite, posodite tudi ta navodila tudi za preprečevanje zlorabe izdelka in možnosti poškodb.

## TEHNIČNI PODATKI

Premer svedra/luknje	200 mm	
Največja globina vrtnanja	990 mm	
Teža (brez akumulatorja)	3,7 kg	
Priporočena obratovna temperatura	-20°C – 40°C	
Priporočena temperatura za shranjevanje	-40°C – 70°C	
Izmerjena raven zvočne moči $L_{WA}$	97,6 dB(A) K=3 dB(A)	
Raven zvočnega tlaka $L_{PA}$	89,6 dB(A) K=3 dB(A)	
Vibration $a_h$	Desni ročaj	2,52 m/s <sup>2</sup> K=1,5 m/s <sup>2</sup>
	Levi ročaj	2,45 m/s <sup>2</sup> K=1,5 m/s <sup>2</sup>

- Nazivna skupna vrednost treslajev je bila izmerjena v skladu s standardno preskusno metodo in jo je mogoče uporabiti za primerjavo enega stroja z drugim.
- Nazivno skupno vrednost treslajev je mogoče uporabiti tudi za predhodno oceno izpostavljenosti.

**OPOMBA:** Oddajanje treslajev med dejansko uporabo stroja se lahko razlikuje od nazivne vrednosti, v kateri se uporablja stroj. Upravljalavec se lahko zaščiti tako, da uporablja rokavice in naušnike, primerne dejanskim pogojem uporabe.

## PRIPOROČENI DODATKI

**⚠ OPOZORILO:** Uporabljajte samo dodatno opremo, navedeno spodaj. Uporaba delov, ki ne izpolnjujejo zahtev originalne opreme, lahko vodi k neprimernemu delovanju in ogroženi varnosti.

IME DELA	ŠTEVILKA MODELA
Rezilo vrtalnika za led	AB0800I

SL

## VSEBINA PAKETA (SL. A)

### OPIS

#### SPOZNAJTE SVOJ VRTALNIK ZA LED (sl. A)

1. Vrtalnik za led
2. Zaklepni vijak
3. Ščitnik rezila
4. Rezilo za led
5. Imbus ključ (6 mm)

### SESTAVLJANJE

#### NAMESTITEV VRTALNIKA ZA LED

**⚠ OPOZORILO:** Nastavek za sveder je zelo oster. Da bi preprečili telesne poškodbe, bodite pri čiščenju, nameščanju ali odstranjevanju svedra zelo previdni. Pri vzdrževanju svedra vedno nosite zaščitne rokavice.

1. Odvijte in odstranite zaklepni vijak z vrtalnika za led.
2. Zgornji konec svedra namestite na pogonsko gred pogonske enote (sl. B1).
3. Poravnajte priključni odprtini na svedru in pogonski gredi.
4. Z zaklepnim vijakom pritrdite sveder na pogonsko gred. S priloženim šestmilimetrskim imbusnim ključem dobro privijte zaklepni vijak (sl. B2).

B1-1	Pogonska gred	B1-2	Zgornji konec vrtalnika za led
B2-1	Pogonska gred	B2-2	Zaklepni vijak
B2-3	Ravna stran		

**OPOMBA:** Prepričajte se, da je zaporni vijak vstavljen v priključne luknje z ravne strani luknje za sveder.

### UPRAVLJANJE

#### UPORABA

Ta izdelek lahko uporabljate za naslednje namene:

- Vrtanje lukenj v led z vrtalnikom za led.

#### ZAGON/ZAUSTAVITEV SVEDRA ZA LED

Glejte poglavje »ZAGON/ZAUSTAVITEV POGONSKE ENOTE« v priročniku za uporabo pogonske enote PHA7400E.

**OPOMBA:** Pred zagonom izdelka si nadenite zaščitne rokavice in odstranite varovalo rezila za led.

#### DELO S SVEDROM ZA LED

##### ⚠ OPOZORILO:

- Pred uporabo stroja se obrnite na lokalno komunalno službo za označitev podzemnih vodov, da se izognete stiku s podzemnimi napeljavami.
- Sveder za led ne uporabljajte za druge namene, kot je predvideno.
- S svedrom za led vrtajte luknje samo v led.
- Izogibajte se kovanju v material, za katerega sumite, da vsebuje skrite žeblice ali druge predmete, ki bi lahko povzročili, da bi se sveder zataknil ali zlomil.
- Bodite pozorni na reakcijsko silo navora stroja. Vedno ohranite delovni položaj, v katerem lahko prenesete reakcijsko silo navora.
- Bodite izjemno previdni pri delu na pobočjih ali neravnih tleh.

**OPOMBA:** Pred uporabo preverite, da v odprtinah ali gibljivih delih ni tujkov (pesek, umazanija itd.).

- a. Prepričajte se, da so stopala trdno postavljena nad delovno površino, in da stojte z ročaji blizu pasu. Z desno roko trdno držite desni ročaj, z levo roko pa levi ročaj (sl. C1).

C1-1	Desni ročaj	C1-2	Levi ročaj
------	-------------	------	------------

**⚠ OPOZORILO:** Nikoli ne držite desnega ročaja z levo roko in levega ročaja z desno roko. Neustrezen položaj rok lahko povzroči hude poškodbe (sl. C2).

**⚠ OPOZORILO:** Izogibajte se nepravilni postavitvi (sl. C3). Ne stojte predaleč od stroja. V primeru povratnega udarca ni mogoče doseči ustreznega odziva in nadzora.

- b. Sveder za led naj bo stran od telesa in naj bo usmerjen navzdol pod kotom 90° glede na površino.
- c. Nastavite smer vrtenja in hitrost vrtenja.
- d. Stroj dvignite nad površino. Pritisnite in držite gumb za zaklepanje ter pritisnite na sprožilno stikalo.

**⚠ OPOZORILO:** Ko je izdelek vklopljen, se ne dotikajte svedra.

- e. Počakajte, da se sveder polno pospeši.
- f. Sveder za led spustite na površino, pri čemer ohranite kot 90° (sl. C4). Pustite, da se sveder zagriže v material, in prepustite stroju, da opravi delo.
- g. Ko se sveder začne polniti z odpadki, je pomembno, da ga nenehno čistite, da bo rez čist in da bo potreben manjši napor - ko sveder deluje s polno hitrostjo, ga počasi dvignite iz luknje in pustite, da se odpadki odstranijo iz svedra.

- h. Po uporabi tega stroja sprostite sprožilno stikalo in počakajte, da se sveder popolnoma ustavi.
- i. Ko zapuščate stroj, na primer med odmorom, ga ne puščajte vstavljenega v led in ga ne naslanjajte na steno. Namestite varovalo rezila na vrtalnik za led in stroj shranite v stabilnem položaju.

#### NASVETI ZA UPORABO SVEDRA ZA LED

- Pretirano pritiskanje na stroj ne bo pospešilo kopanja. Prevelik pritisk bo le poškodoval konico svedra, zmanjšal zmogljivost stroja in skrajšal njegovo življenjsko dobo.
- Pri vrtanju globoke luknje ali vrtanju v glineno zemljo ne poskušajte skopati vsega naenkrat. Jamo izkopljete tako, da stroj dvigate in spuščate, da se lahko razrahljana zemlja v luknji odstrani.
- Če se hitrost vrtenja stroja zaradi velike obremenitve upočasni, stroj nekoliko dvignite in ga premikajte gor in dol, da vrtate v majhnih korakih.
- Zataknen sveder lahko odstranite preprosto tako, da ga zaženete v nasprotno smer vrtenja in ga odstranite ven. Pri vzvratnem delovanju podprite stroj s telesom, da preprečite odziv v smeri urinega kazalca.
- Pred delom z vrtalnikom za led na zamrznjenih ribnikih, jezerih ali potokih se posvetujte z lokalnimi oblastmi in sprejmite vse potrebne varnostne ukrepe, da zagotovite varno debelino ledu.
- Pri izvleku vrtalnika za led iz luknje stroj dvignite navpično, da bo vrtalnik izstopil naravnost, brez nagibanja. Da bi pri vrtanju lukenj v led čim bolj zmanjšali škropljenje, sprožilno stikalo sprostite takoj, ko vrtalnik prebije led. Stroj počasi dvignite. Vrtine pokrijte in jasno označite, danihče ne bi stopil v luknjo.

#### VZDRŽEVANJE

**⚠ OPOZORILO:** Če želite preprečiti resne telesne poškodbe, odstranite baterijo iz izdelka, preden servisirate, očistite, zamenjate dodatke ali odstranjujete material iz enote.

#### SPLOŠNO VZDRŽEVANJE

Pri čiščenju plastičnih delov ne uporabljajte topil. Večina vrst plastike se lahko pri uporabi različnih komercialnih topil poškoduje. Umazanijo, prah, olje, mast itd. odstranite s čisto krpo.

**⚠ OPOZORILO:** Zavorna tekočina, gorivo, izdelki na osnovi naftnih derivatov, prodirajoče olje nikoli ne smejo priti v stik s plastičnimi deli. Kemikalije lahko poškodujejo, oslabijo ali uničijo plastiko, kar lahko povzroči hude telesne poškodbe.

#### ZAMENJAVA REZIL ZA LED

Če sveder za led skače po ledu ali počasi reže led, ko vrtate luknje, bo morda treba zamenjati rezila za led.

Potrebna orodja: 6-milimetrski imbus ključ (priložen), 3-milimetrski imbus ključ (ni priložen)

1. Z vrtalnika odstranite baterijski sklop in s pomočjo 6 mm imbus ključa sprostite in odstranite zaklepni vijak s pogonske gredi pogonske enote.
2. Nosite zaščitne rokavice in odstranite varovalo rezila za led (sl. D1).
3. S 3-milimetrskim imbus ključem sprostite in odstranite vijake in rezila za led z vrtalnika za led (Sl. D2).
4. Zamenjajte jih z novimi rezili in jih dobro zategnite.
5. Namestite varovalo rezila.

D1-1	Ščitnik rezila	D1-2	Rezila za led
D2-1	Vijak	D2-2	Rezilo za led

#### SHRANJEVANJE VRTALNIKA ZA LED

1. Odstranite akumulator.
2. S pogonske gredi pogonske glave odstranite sveder.
3. Pred shranjevanjem temeljito očistite sveder.
4. Namestite varovalo za rezilo na vrtalnik za led.
5. Enoto shranjujte v suhem in dobro zračenem prostoru, ki ga je mogoče zakleniti ali je dvignjen in izven dosega otrok. Svedra ne shranjujte na ali v bližini gnojil, bencina ali drugih kemikalij.

#### Varovanje okolja



Električne opreme, rabljenega akumulatorja in polnilnika ne odvrzite med gospodinjske odpadke! Izdelek odnesite na pooblaščen obrat za recikliranje in ga zavrzite ločeno. Električna orodja je treba odnesti na obrat za recikliranje in ga reciklirati na okolju prijazen način.

SL

## ODPRAVLJANJE TEŽAV

TEŽAVA	VZROK	REŠITEV
Stroj se ne zažene ali se nepričakovano ustavi.	<ul style="list-style-type: none"> <li>■ Nizka zmogljivost baterijskega sklopa.</li> <li>■ Baterijski sklop je pregret ali prehladen.</li> <li>■ Kabel desnega ročaja ni pravilno povezan s kablom pogonske enote.</li> </ul>	<ul style="list-style-type: none"> <li>■ Napolnite baterijski sklop.</li> <li>■ Počakajte, da se baterijski sklop ohladi ali segreje, nato pa lahko ponovno zaženete sveder.</li> <li>■ Kable desnega ročaja in napajalne glave povežite v skladu s poglavjem »<b>NAMESTITEV ROČAJEV</b>« v priročniku za uporabo pogonske enote PHA7400E.</li> </ul>
Med delovanjem je preveč hrupa in/ali vibracij.	<ul style="list-style-type: none"> <li>■ Nekateri deli so zrahljani.</li> </ul>	<ul style="list-style-type: none"> <li>■ Ustavite sveder, odstranite akumulator, preverite in zategnite ohlapne dele.</li> </ul>
Motor deluje, vendar sveder miruje.	<ul style="list-style-type: none"> <li>■ Ohlapen sveder.</li> </ul>	<ul style="list-style-type: none"> <li>■ Ponovno namestite rezilo, pri tem pa sledite navodilom v razdelku »<b>NAMESTITEV VRTALNIKA ZA LED</b>« v tem priročniku.</li> </ul>
Sveder za led skače po ledu ali počasi reže led.	<ul style="list-style-type: none"> <li>■ Rezila so topa ali poškodovana.</li> </ul>	<ul style="list-style-type: none"> <li>■ Zamenjajte z novimi rezili v skladu s poglavjem »<b>ZAMENJAVA REZIL ZA LED</b>« v tem priročniku.</li> </ul>
Smer ali hitrost vrtenja svedra se po pritisku na izbirnik smeri/ hitrosti vrtenja ne preklopi.	<ul style="list-style-type: none"> <li>■ Preklop med smerjo vrtenja naprej in nazaj je mogoč le, če je sveder ustavljen.</li> <li>■ Drugi neznani vzroki.</li> </ul>	<ul style="list-style-type: none"> <li>■ Popolnoma ustavite sveder, potisnite izbirnik smeri/ hitrosti vrtenja v želeno smer vrtenja in nato sveder ponovno zaženite.</li> <li>■ Za popravilo se obrnite EGO servis.</li> </ul>

## GARANCIJA

**SL**

### GARANCIJSKA POLITIKA DRUŽBE EGO

Za popolne pogoje garancijske politike družbe EGO obiščite spletno mesto [egopowerplus.eu](http://egopowerplus.eu).

## PERSKAITYKITE VISAS INSTRUKCIJAS!



### SKAITYTI NAUDOJIMO INSTRUKCIJĄ

**⚠️ ĮSPĖJIMAS.** Kad būtų užtikrintas saugumas ir patikimumas, visus remonto darbus turi atlikti kvalifikuotas techninės priežiūros specialistas.

## SAUGOS SIMBOLIAI

Saugos simbolių paskirtis – atkreipti dėmesį į galimus pavojus. Gerai susipažinkite su saugos simboliais bei jų paaiškinimais ir juos įsidėmėkite. Simbolių įspėjimai patys savaime negali apsaugoti nuo pavojų. Jais žymimi nurodymai ir įspėjimai neatstoja tinkamų nelaimingų atsitikimų prevencijos priemonių.

**⚠️ ĮSPĖJIMAS:** Prieš pradėdami naudoti šį įrenginį, perskaitykite visus šioje naudojimo instrukcijoje pateiktus saugos nurodymus, taip pat susipažinkite su visais saugos įspėjamaisiais simboliais, tokiais kaip „**PAVOJUS**“, „**ĮSPĖJIMAS**“ ir „**DĖMESIO**“, ir įsitikinkite, ar juos supratote. Nesilaikant visų toliau išdėstytų nurodymų galima patirti elektros smūgį, sukelti gaisrą ir (ar) sunkiai susižaloti.

## SAUGOS NURODYMAI

Šiame puslapyje pavaizduoti ir aprašyti saugos simboliai, kurie gali būti nurodyti ant šio gaminio. Prieš bandydami surinkti ir naudoti įrankį, perskaitykite visus ant jo pateiktus nurodymus, įsitikinkite, kad juos supratote, ir jais vadovaukitės.



Įspėjimas dėl saugos



Norėdamas sumažinti susižalojimo pavojų, naudotojas privalo perskaityti naudojimo instrukciją.



Užsidėti apsauginius akinius



Užsidėti klausos apsaugos priemonę



Netinkamus naudoti elektrinius gaminius draudžiama išmesti kartu su buitinėmis atliekomis. Pristatyti įgaliotam perdirbėjui.



Šis gaminys atitinka taikomas EB direktyvas.



Nuolatinė srovė



Šis gaminys atitinka taikomas JK direktyvas.

V Įtampa

kg Kilogramai

°C Celsijaus laipsniai

mm Milimetrai

/min Sūčiai per minutę

IPX4 Apsauga nuo vandens pusrslų.

LT

## BENDRIEJI ĮRANKIO SAUGOS ĮSPĖJIMAI

**⚠️ ĮSPĖJIMAS:** Perskaitykite ir peržiūrėkite visus su šiuo įrenginiu pateiktus saugos nurodymus, instrukcijas, paveikslėlius ir specifikacijas. Nesilaikant visų toliau išdėstytų nurodymų galima patirti elektros smūgį, sukelti gaisrą ir (ar) sunkiai susižaloti.

Išsaugokite visas instrukcijas su įspėjimais, nes jų gali prireikti ateityje.

### Darbo vietos sauga

- Darbo vieta turi būti švari ir gerai apšviesta. Jei darbo vieta netvarkinga ar blogai apšviesta, gali įvykti nelaimingas atsitikimas.
- Nedirbkite su įrenginiu sprogoje aplinkoje, pvz., ten, kur yra degiųjų skysčių, dujų arba dulkių. Įrenginys kibirkščiuoja, o kibirkštys gali uždegti dulkes arba garus.
- Dirbdami su elektriniu įrenginiu, neleiskite artintis vaikams ir pašaliniais asmenims. Dėl dėmesio blaškymo galite nesuvaldyti prietaiso.

### Elektros sauga

- Elektrinio įrenginio kištukas turi tikti elektros lizdui. Niekada jokiais būdais kištuko neperdarykite. Su įžemintais elektriniais įrenginiais nenaudokite jokių kištuko adapterių. Originalūs kištukai, tiksliai tinkantys elektros tinklo lizdui, sumažina elektros smūgio pavojų.
- Nesilieskite prie įžemintų paviršių, pavyzdžiui, vamzdžių, radiatorių, viryklių ir šaldytuvų. Jei jūsų kūnas bus įžemintas, padidės elektros smūgio pavojus.
- Nelaikykite įrankių lietuje ar drėgnoje aplinkoje. Vandeniui patekus į įrankį, padidėja pavojus patirti elektros smūgį.
- Atsargiai elkitės su maitinimo laidu. Niekada nenaudokite laido nešimui, traukimui arba įkroviklio atjungimui nuo maitinimo tinklo. Saugokite laidą nuo kaitros šaltinių, alyvos, aštrių briaunų ir judančių dalių. Pažeidus arba supainiojus laidus išauga pavojus patirti elektros smūgį.
- Kai su elektriniu įrenginiu dirbate lauke, naudokite laukui skirtą laido ilgutuvą. Naudojant laukui skirtą maitinimo laidą, sumažėja pavojus patirti elektros smūgį.
- Jei nėra galimybės išvengti elektrinio įrenginio naudojimo drėgnoje vietoje, naudokite maitinimo šaltinį, apsaugotą nuotėkio rele. Nuotėkio relė sumažina pavojų patirti elektros smūgį.

### Asmens sauga

- Naudodami įrenginį būkite budrūs, stebėkite, ką

darote, ir vadovaukitės sveika nuovoka. Nedirbkite su įrenginiu, jei esate pavargę arba vartojote narkotikus, alkoholį ar medikamentus. Neatidumo akimirka dirbant su įrenginiais gali lemti sunkią traumą.

- Naudokite asmeninės apsaugos priemones. Visada būkite su apsauginiais akiniais. Atitinkamomis sąlygomis naudojamos apsaugos priemonės, pvz., respiratorius, neslidūs apsauginiai batai, šalmas arba ausinės, sumažina pavojų susižaloti.
- Apsisaugokite nuo atsitiktinio įjungimo. Prieš jungdami prie maitinimo šaltinio ir (ar) baterijos, prieš įrankį keldami arba nešdami įsitikinkite, kad jungiklis yra išjungimo padėtyje. Nešant elektrinius įrankius uždėjus pirštą ant jungiklio arba netyčia įjungiant elektrinį įrankį su įjungtu jungikliu, gali įvykti nelaimingas atsitikimas.
- Prieš įjungdami įrankį patraukite į šalį visus reguliavimo raktus ir veržliarakčius. Įrenginio sukamojoje dalyje likus raktui ar veržliarakčiui galima susižaloti.
- Nesistenkite pasiekti pernelyg toli. Visada stovėkite tvirtai ir išlaikykite pusiausvyrą. Taip geriau suvaldysite įrenginį netikėtose situacijose.
- Dėvėkite tinkamus drabužius. Nedėvėkite laisvų drabužių ir nenešiotkite laisvai kabančių papuošalų. Saugokite savo plaukus ir drabužius nuo judančių dalių. Laisvus drabužius, papuošalus ar ilgus plaukus gali įtraukti judamosios dalys.
- Jei yra įtaisai, skirti dulkių išsiurbimo ir surinkimo įtaisams prijungti, tinkamai juos prijunkite ir naudokite. Naudojant dulkių surinkimo įrenginius, gali sumažėti su dulkelėmis susijusių pavojų.
- Net ir dažnai naudodami įrenginius, pernelyg savimi nepasitikėkite ir nepraraskite budrumo, laikykitės saugaus įrenginio naudojimo taisyklių. Užtenka akimirkos išsiblaškyimo, kad dėl neatsargaus veiksmo sunkiai susižalotumėte.

### Įrenginio naudojimas ir priežiūra

- Įrenginio pernelyg nespaukite. Naudokite jūsų darbui tinkamą įrenginį. Veikdamas numatytoju greičiu, tinkamas įrenginys darbą atlieka veiksmingiau ir saugiau.
- Nenaudokite įrenginio, jeigu jo negalima įjungti ar išjungti jungikliu. Įrenginys, kurio jungiklis neveikia, yra pavojingas ir jį būtina sutaisyti.
- Prieš reguliuodami įrenginį, keisdami jo priedus arba padėdami jį į laikymo vietą, atjunkite kištuką nuo maitinimo šaltinio ir (ar) išimkite sudėtinę bateriją. Tokia saugumo priemonė apsaugos jus nuo netyčinio įrenginio įjungimo.

- **Nenaudojamą įrenginį laikykite vaikams neprieinamoje vietoje ir neleiskite įrenginio naudoti asmenims, kurie nėra susipažinę su juo naudojimu ar šiomis instrukcijomis.** Neapmokytų žmonių naudojami įrenginiai kelia pavojų.
- **Vykdykite įrenginio ir priedų techninę priežiūrą.** Patikrinkite, ar judančios dalys suderintos ir nestringa, ar nėra lūžusių dalių, ar nėra kitų sąlygų, galinčių turėti įtakos įrenginio veikimui. Jei įrenginys pažeistas, prieš naudodami jį sutaisykite. Dauguma nelaimingų atsitikimų įvyksta dėl prastai prižiūrimų įrenginių.
- **Pjovimo įrenginiai turi būti aštrūs ir švarūs.** Tinkamai prižiūrimi pjovimo įrenginiai su aštriais peiliais rečiau stringa ir lengviau valdomi.
- **Įrenginį, priedus, antgalius ir kitas dalis naudokite pagal šią instrukciją, atsižvelgdami į darbo sąlygas ir atliekamą darbą.** Naudojant įrenginį ne pagal paskirtį gali susidaryti pavojingos aplinkybės.
- **Rankenos ir sugriebimo paviršiai turi būti sausi, švarūs ir neištepti alyva ar tepalu.** Dėl slidžių rankenų ir laikymo paviršių įrenginį sunku saugiai valdyti ir jis gali išsprūsti netikėtomis aplinkybėmis.

#### Akumuliatorinio įrenginio naudojimas ir priežiūra

- **Kraukite naudodami tik gamintojo nurodytą įkroviklį.** Įkroviklis, tinkamas vieno tipo sudėtinėi baterijai, gali kelti gaisro pavojų, jei naudojamas su kito tipo sudėtinė baterija.
- **Įrenginius naudokite tik su jiems skirtomis sudėtinėmis baterijomis.** Naudojant kitokias sudėtines baterijas gali kilti sužalojimų ir gaisro pavojus.
- **Nenaudojama sudėtinė baterija turi būti laikoma atokiau nuo metalinių daiktų, tokių kaip sąvaržėlės, monetos, raktai, vinyas, varžtai ar kiti smulkūs metaliniai daiktai, galintys sujungti abu baterijos gnybtus.** Įvykus trumpajam jungimui tarp baterijos gnybtų galima nusideginti ar gali kilti gaisras.
- **Dėl netinkamų sąlygų iš baterijos gali ištekėti skystis – nelieskite jo.** Skysčiui atsitiktinai patekus ant odos, nedelsiant nuplaukite vandeniu. Jeigu skystis pateko į akis, kreipkitės ir į gydytojus. Iš baterijos ištekėjęs skystis gali dirginti arba nudeginti.
- **Nenaudokite pažeistos ar modifikuotos sudėtinės baterijos ar įrankio.** Tokios netinkamos sudėtinės baterijos gali kelti gaisro, sprogo ar sužalojimo pavojų.
- **Sudėtinės baterijos ar įrankio negalima deginti ar kaitinti.** Bateriją deginant ar įkaitinus virš 130 °C ji gali sprogti.
- **Laikykitės įrankio ar sudėtinės baterijos įkrovimo instrukcijų ir įkrovimą vykdykite nurodytame temperatūrų diapazone.** Priešingu atveju galite sugadinti bateriją ar net sukelti gaisrą.

#### Techninė priežiūra

- **Įkroviklio techninę priežiūrą turi atlikti kvalifikuotas asmuo ir dalis keisti tik originaliomis atsarginėmis dalimis.** Taip užtikrinsite savo įrenginio saugą.
- **Niekada neremontuokite sugadintų sudėtinųjų baterijų.** Baterijas remontuoti gali tik gamintojas arba įgalioto techninės priežiūros centro specialistai.

#### ĮSPĖJIMAI DĖL LEDO GRAŽTO NAUDOJIMO SAUGOS

- **Pakeiskite grąžtą, jeigu jis įtrūkęs, sulenktas ar kitaip pažeistas.** Naudojant įrenginį su pažeistu grąžtu galima sunkiai susižaloti.
- **Niekada nenaudokite grąžto, jeigu jo rankenos iškilę virš juosmens lygio.** Taip apribojamas grąžto valdymas ir gali išaugti sužalojimo pavojus.
- **Laikykite įrenginį abiem rankomis už tam skirtų rankenų.** Nesuvaldžius įrenginio galima susižaloti.
- **Įrenginį laikykite tik už izoliuoto, laikymui skirto paviršiaus, nes gręžimo metu grąžtas gali prisiliesti prie paslėpto elektros laido.** Grąžtui pažeidus laidą, kuriuo teka elektros srovė, neiizoliuotose metalinėse įrenginio dalyse taip pat gali atsirasti srovė, dėl kurios naudotojas gali patirti elektros smūgį.
- **Kad sumažintumėte elektros smūgio pavojų, niekada nenaudokite grąžto šalia žemėje užkastų elektros laidų.** Pažeidus požeminius elektros kabelius arba gręžiant šalia jų galima sunkiai ar net mirtinai susižaloti.
- **Visada pradėkite gręžti mažu greičiu ir prispaudę grąžtą prie gręžiamo paviršiaus.** Grąžtui laisvai sukantis didesniu greičiu ir neliečiant paviršiaus, jis gali pakrypti ir sužaloti.
- **Grąžtą spauskite tik tiesiai ir nespauskite per stipriai.** Grąžtas gali pakrypti ir sulūžti arba galite nesuvaldyti gręžtuvo ir susižaloti.
- **Visada tvirtai atsistokite.** Kai įrenginį naudojate aukščiau esančiose vietose įsitikinkite, kad apačioje nieko nėra.
- **Įrenginį tvirtai laikykite.**
- **Nekiškite rankų prie sukamųjų dalių.**
- **Nepalikite veikiančio įrenginio. Įrenginį valdykite tik laikydami rankomis.**

- Nelieskite grąžto iš karto po gręžimo. Jis gali būti labai įkaitęs ir nudeginti odą.
- Jeigu su įrenginiu kažkas atsitinka, pavyzdžiui, sklinda neįprasti garsai, nedelsdami nutraukite darbą ir kreipkitės į vietinį techninės priežiūros centrą, kad įrenginį sutvarkytų.
- Kad sumažintumėte sproginimo pavojų, grąžto niekada nenaudokite šalia bet kokių požeminių dujų vamzdžių, įskaitant vandentiekio linijas. Grąžtui pažeidus požemines vandentiekio ar dujų linijas arba jį naudojant šalia jų, vandentiekio ar dujų linijos gali sprogti ir sunkiai ar net mirtinai sužaloti.
- Niekada nenaudokite didesnio nei didžiausias grąžto gręžimo greitis. Grąžtui laisvai sukantis didesniu greičiu ir neliečiant ruošinio, jis gali sulinkti ir sužaloti.
- Įrenginių su baterijomis nereikia jungti į elektros lizdą; dėl to jie visada yra darbinės būsenos. Net įrenginiui neveikiant neužmirškite apie jo keliamus pavojus. Būkite atidūs vykdydami remonto ar techninės priežiūros darbus.
- Neplaukite vandens žarna. Saugokite, kad vandens nepatektų ant variklio ir elektros jungčių.
- Ledo grąžto geležtės yra labai aštrios. Būkite ypač atsargūs gręždami kiaurymę arba keisdami geležtes. Po kiekvieno naudojimo ant uždėkite geležčių apsaugą.
- Dažnai tikrinkite ir įsitikinkite, kad fiksavimo varžtas pritvirtintas savo vietoje.
- Naudokite tik su nurodytomis sudėtinėmis baterijomis ir įkrovikliais.

Pasilikite šią instrukciją. Dažnai ją paskaitykite ir panaudokite kitiems asmenims, kuriems patikėsite šį įrenginį, apmokyti. Jei kam nors skolinatė šį įrenginį, perduokite ir šias instrukcijas; taip užkirsite kelią netinkamam gaminio naudojimui ir galimiems sužeidimams.

## TECHNINIAI DUOMENYS

Grąžto / kiaurymės skersmuo	200 mm
Didžiausias gręžimo gylis	990 mm
Svoris (be sudėtinės baterijos)	3,7 kg
Rekomenduojama darbo temperatūra	- 20°C - 40°C
Rekomenduojama laikymo temperatūra	- 40°C - 70°C

Garso galios lygis $L_{WA}$	97,6 dB(A)	
	K=3 dB(A)	
Garso slėgio lygis $L_{PA}$	89,6 dB(A)	
	K=3 dB(A)	
Vibracija $a_n$	Dešinioji rankena	2,52 m/s <sup>2</sup> K=1,5 m/s <sup>2</sup>
	Kairioji rankena	2,45 m/s <sup>2</sup> K=1,5 m/s <sup>2</sup>

- Nurodyta bendroji vibracijos vertė išmatuota taikant standartinį bandymo metodą, todėl pagal ją galima palyginti skirtingus įrenginius.
- Nurodytą bendrąją vibracijos vertę taip pat galima naudoti pirminiam poveikio vertinimui.

**PASTABA:** Naudojant įrenginį realiomis sąlygomis, sklaidžiamos vibracijos stiprumo vertė gali skirtis nuo nurodytos. Kad apsaugotų dirbdamas realiomis sąlygomis, naudotojas turi mūvėti pirštines ir naudoti klausos apsaugos priemones.

## REKOMENDUOJAMI PRIEDAI

**⚠️ ĮSPĖJIMAS:** Naudokite tik toliau išvardytus priedus. Naudojant priedus, kurie neatitinka originalios įrangos specifikacijų, įrenginys gali netinkamai veikti ir kelti pavojų.

DALIES PAVADINIMAS	MODELIO NUMERIS
Ledo grąžto geležtė	AB08001

## PAKUOTĖS TURINIO SĄRAŠAS (A PAV.)

### APRAŠYMAS

#### LEDO GRAŽTO DALYS (A pav.)

1. Ledo grąžtas
2. Fiksavimo varžtas
3. Geležčių apsauga
4. Ledo grąžto geležtė
5. Šešiabriaunis raktas (6 mm)

## SURINKIMAS

### LEDO GRĄŽTO TVIRTINIMAS

**⚠️ ĮSPĖJIMAS:** Grąžtas yra labai aštrus. Kad nesusižalotumėte, būkite itin atsargūs, kai grąžtą valote, tvirtinate ar nuimate. Visada mūvėkite apsaugines pirštines, kai vykdote grąžto techninės priežiūros procedūras.

1. Atsukite ir ištraukite fiksavimo varžtą iš ledo grąžto.
2. Pritvirtinkite viršutinį grąžto galą prie elektrinės galvutės varančiojo veleno (B1 pav.).
3. Sulygiuokite grąžto ir varančiojo veleno sujungimo angas.
4. Fiksavimo varžtu pritvirtinkite grąžtą prie varančiojo veleno. Pridedamu 6 mm šešiabriauniu raktu tvirtai priveržkite fiksavimo varžtą (B2 pav.).

B1-1	Varantysis velenas	B1-2	Viršutinis ledo grąžto galas
B2-1	Varantysis velenas	B2-2	Fiksavimo varžtas
B2-3	Plokščioji pusė		

**PASTABA:** Įsitikinkite, kad fiksavimo varžtas įkištas į jungties angas iš plokščiosios grąžto angos pusės.

## NAUDOJIMAS

### PASKIRTIS

Galite naudoti šį gaminį toliau išvardytais tikslais:

- Kiaurymių gręžimas lede naudojant ledo grąžtą.

### LEDO GRĄŽTO PALEIDIMAS IR SUSTABDYMAS

Žr. elektrinės galvutės PHA7400E naudojimo instrukcijos skyriuje „ELEKTRINĖS GALVUTĖS PALEIDIMAS IR SUSTABDYMAS“.

**PASTABA:** Prieš paleisdami gaminį užsimaukite apsaugines pirštines ir nuimkite ledo grąžto geležčių apsaugą.

### DARBAS SU LEDO GRĄŽTU

#### ⚠️ ĮSPĖJIMAS:

- Prieš gręždami kreipkitės į vietines komunalines tarnybas, kad paženklintų požemines komunikacijas ir jų nepažeistumėte.
- Nenaudokite ledo grąžto ne pagal paskirtį.
- Ledo grąžtą naudokite tik kiaurymėms lede gręžti.
- Negręžkite vietose, kuriose gali būti paslėpti kliūčių, pvz., vinių, dėl kurių grąžtas gali įstrigti ar nulūžti.

- Būkite atsargūs ir saugokitės įrenginio sukimo momento atoveikio jėgos. Visada išlaikykite tokią darbinę padėtį, kurioje galėtumėte pasipriešinti sukimo momento atoveikio jėgai.
- Būkite ypač atsargūs dirbdami ant šlaitų ar nelygaus paviršiaus.

**PASTABA:** Prieš pradėdami gręžti patikrinkite, ar angose ar judamosiose dalyse nėra įstrigusių šiukšlių (smėlio, purvo ir pan.).

- a. Tvirtai atsistokite ant darbinio paviršiaus taip, kad rankenos būtų šalia juosmens. Dešiniąją rankeną tvirtai laikykite dešine ranka, o kairiąją rankeną – kaire ranka (C1 pav.).

C1-1	Dešinioji rankena	C1-2	Kairioji rankena
------	-------------------	------	------------------

**⚠️ ĮSPĖJIMAS:** Niekada nelaikykite dešiniojos rankenos kaire ranka, o kairiosios – dešine. Dėl netinkamos rankų padėties galite sunkiai susižaloti (C2 pav.).

**⚠️ ĮSPĖJIMAS:** Venkite netinkamos padėties (C3 pav.). Nestovėkite per toli nuo įrenginio. Atatrankos metu gali nepavykti tinkamai sureaguoti ir suvaldyti įrenginį.

- b. Grąžtą laikykite atokiau nuo kūno ir taip, kad jis būtų nukreiptas žemyn 90° kampu į gręžiamą paviršių.
- c. Nustatykite sukimosi kryptį ir sukimosi greitį.
- d. Pakelkite įrenginį virš paviršiaus. Nuspauskite ir laikykite nuspaudę blokuotės išjungiklį, o tuomet paspauskite paleidimo jungiklį.

**⚠️ ĮSPĖJIMAS:** Nelieskite grąžto, kai gaminys įjungtas.

- e. Palaukite, kol grąžtas įsisuks visu greičiu.
- f. Nuleiskite grąžtą žemyn, išlaikydami 90° kampą (C4 pav.). Leiskite grąžtui įsikverbti į ledą, kad įrenginys pats atliktų darbą.
- g. Grąžtui pradėjus užsipildyti šiukšlėmis, svarbu jį nuolat valyti, kad gręžimo anga būtų švari ir nereikėtų didelių pastangų – kol grąžtas sukasi visu greičiu, lėtai iškelkite jį iš angos ir leiskite šiukšlėms išsivalyti.
- h. Baigę gręžti atleiskite paleidimo jungiklį ir palaukite, kol grąžtas nustos sukstis.
- i. Palikdami įrenginį be priežiūros, pavyzdžiui, per pertrauką, nepalikite jo įstatyto į ledą ar atremto į sieną. Uždėkite ant ledo grąžto geležčių apsaugą ir laikykite įrenginį stabilioje padėtyje.

### PATARIMAI, KAIP NAUDOTI LEDO GRĄŽTĄ

- Pernelyg spaudžiant įrenginį gręžimas nepaspartės. Per didelis spaudimas gali tik sugadinti grąžtą, sumažinti įrenginio darbo našumą ir sutrumpinti jo eksploataavimo trukmę.

LT

- Gręždami giliai angą arba molingame dirvožemyje nesistenkite to padaryti iš karto. Angą gręžkite keldami įrenginį aukštyn ir nuleisdami žemyn, kad būtų galima pašalinti angoje esančias purias žemes.
- Jei dėl didelės apkrovos įrenginio sukimosi greitis sulėtėja, įrenginį šiek tiek pakelkite ir gręžkite, kilnodami aukštyn bei žemyn.
- Įstrigusį grąžtą galima ištraukti tiesiog pakeičiant jo sukimosi kryptį į priešingą, kad jis išlįstų. Traukdami priešinga kryptimi besisukančią grąžtą, prispauskite įrenginį prie savo kūno, kad išvengtumėte atoveiksmio laikrodžio rodyklės kryptimi.
- Prieš pradėdami gręžti su ledo grąžtu ant užšalusių tvenkinių, ežerų ar upių, iš vietos valdžios institucijų sužinokite, ar ledo storis saugus, ir imkitės visų būtinų atsargumo priemonių.
- Traukdami ledo grąžtą iš kiaurymės, įrenginį kelkite vertikaliai, kad grąžtas išlįstų tiesiai ir nepersikreipdamas. Kad gręžiant lede jo skeveldros netikėtų, nedelsdami atleiskite paleidimo jungiklį, kai tik ledo grąžtas pragręžia ledą. Įrenginį kelkite lėtai. Uždenkite ir aiškiai pažymėkite išgręžtas kiaurymes, kad niekas į jas neįliptų.

## TECHNINĖ PRIEŽIŪRA

**⚠ ĮSPĖJIMAS:** Kad išvengtumėte sunkių traumų, prieš vykdydami techninę priežiūrą, valydami, keisdami priedus arba šalindami šiukšles iš įrenginio išimkite sudėtinę bateriją.

## BENDROJI PRIEŽIŪRA

Plastikinių dalių nevalykite tirpikliais. Įvairūs komerciniai tirpikliai gali pažeisti įvairių tipų plastiką ir jų naudoti nerekomenduojama. Purvą, dulkes, alyvą, tepalą ir pan. nuvalykite švaria šluoste.

**⚠ ĮSPĖJIMAS:** Saugokite plastikinės dalis, kad ant jų nepatektų stabdžių skysčiai, benzinas, naftos produktai, skvarbi alyva ir pan. Cheminės medžiagos plastiką gali sugadinti, susilpninti arba suardyti. Dėl to galite sunkiai susižaloti.

## LEDO GRĄŽTO GELEŽČIŲ KEITIMAS

Jei gręžiant ledą grąžtas ant jo šokinėja arba gręžia perne-lyg lėtai, gali būti, kad reikia pakeisti grąžto geležtes.

Reikalingi įrankiai: 6 mm šešiabriaunis raktas (pridedamas), 3 mm šešiabriaunis raktas (nepriedamas)

1. Nuimkite nuo gręžtuvo bateriją ir, 6 mm šešiabriauniu raktu atsukdami ir ištraukdami fiksavimo varžtą, nuimkite ledo grąžtą nuo elektrinės galvutės varančiojo veleno.

2. Mūvėdami apsaugines pirštines nuimkite ledo grąžto geležčių apsaugą (D1 pav.).
3. 3 mm šešiabriauniu raktu atsukite varžtus ir nuimkite ledo grąžto geležtes nuo ledo grąžto (D2 pav.).
4. Pakeiskite geležtes naujomis ir tvirtai priveržkite.
5. Uždėkite geležčių apsaugą.

D1-1	Geležčių apsauga	D1-2	Ledo grąžto geležtės
D2-1	Varžtas	D2-2	Ledo grąžto geležtė

## LEDO GRĄŽTO LAIKYMAS

1. Išimkite sudėtinę bateriją.
2. Nuimkite grąžtą nuo elektrinės galvutės varančiojo veleno.
3. Prieš padėdami į laikymo vietą grąžtą kruopščiai nuvalykite.
4. Ant ledo grąžto uždėkite geležčių apsaugą.
5. Grąžtą laikykite sausoje, gerai vėdinamoje ir rakinamoje patalpoje arba aukštai, vaikams neprieinamoje vietoje. Nelaikykite grąžto ant arba šalia trašų, benzino ar kitų cheminių medžiagų.

## Aplinkos apsauga



Neišmeskite elektros įrangos, panaudotų baterijų ir įkroviklio kartu su buitinėmis atliekomis! Šias atliekas reikia pristatyti į jų surinkimo vietą ar įgaliotam perdirbėjui. Elektrinius įrankius reikia grąžinti į tokių atliekų perdirbimo įmonę.

## TRIKČIŲ ŠALINIMAS

PROBLEMA	PRIEŽASTIS	SPRENDIMAS
Įrenginys neįsijungia arba netikėtai sustoja.	<ul style="list-style-type: none"> <li>■ Žemas sudėtinės baterijos įkrovos lygis.</li> <li>■ Sudėtinė baterija perkaitusi arba per šalta.</li> <li>■ Dešinėsios rankenos laidas netinkamai sujungtas su elektrinės galvutės laidu.</li> </ul>	<ul style="list-style-type: none"> <li>■ Įkraukite sudėtinę bateriją.</li> <li>■ Palaukite, kol sudėtinė baterija atvės arba iššils, ir tuomet grąžtą vėl bus galima paleisti.</li> <li>■ Dešinėsios rankenos ir elektrinės galvutės laidus sujunkite vadovaudamiesi elektrinės galvutės PHA7400E naudojimo instrukcijos skyriumi „<b>RANKENŲ TVIRTINIMAS</b>“.</li> </ul>
Veikimo metu kyla per didelis triukšmas ir (ar) vibracija.	<ul style="list-style-type: none"> <li>■ Kai kurios dalys yra atsilaisvinusios.</li> </ul>	<ul style="list-style-type: none"> <li>■ Sustabdykite grąžtą, nuimkite sudėtinę bateriją, patikrinkite ir priveržkite atsilaisvinusias dalis.</li> </ul>
Variklis veikia, tačiau grąžtas nesisuka.	<ul style="list-style-type: none"> <li>■ Atsilaisvinęs grąžtas.</li> </ul>	<ul style="list-style-type: none"> <li>■ Vėl pritvirtinkite grąžtą vadovaudamiesi šios instrukcijos skyriumi „<b>LEDO GRAŽTO TVIRTINIMAS</b>“.</li> </ul>
Ledo grąžtas šokinėja ant ledo arba gręžia pernelyg lėtai.	<ul style="list-style-type: none"> <li>■ Geležtės atšipę arba pažeistos.</li> </ul>	<ul style="list-style-type: none"> <li>■ Pakeiskite geležtes naujomis, kaip nurodyta šių instrukcijų skyriuje „<b>LEDO GRAŽTO GELEŽČIŲ KEITIMAS</b>“.</li> </ul>
Pastūmus sukimosi krypties ir (ar) greičio pasirinkimo selektorių, grąžto sukimosi kryptis ar greitis nesikeičia.	<ul style="list-style-type: none"> <li>■ Perjungti sukimosi kryptį į priekį ir atgal galima tik tuomet, kai grąžtas sustabdytas.</li> <li>■ Kitos nenustatytos priežastys.</li> </ul>	<ul style="list-style-type: none"> <li>■ Visiškai sustabdykite grąžtą, pastumkite sukimosi krypties / greičio pasirinkimo selektorių į norimą padėtį ir vėl įjunkite grąžtą.</li> <li>■ Dėl remonto kreipkitės į EGO techninės priežiūros centrą.</li> </ul>

## GARANTIJA

### EGO GARANTIJOS TAISYKLĖS

Norėdami sužinoti visas EGO garantijos sąlygas ir nuostatas, apsilankykite interneto svetainėje adresu [egopowerplus.eu](http://egopowerplus.eu).

LT

**IZLASIET VISAS INSTRUKCIJAS!****IZLASIET EKSPLOATĀCIJAS ROKASGRĀMATU**

**▲ BRĪDINĀJUMS!** Lai garantētu drošu un uzticamu instrumenta darbību, visi remontdarbi jāveic kvalificētam servisa speciālistam.

**DROŠĪBAS APZĪMĒJUMS**

Drošības apzīmējumi ir paredzēti, lai pievērstu jūsu uzmanību iespējamiem apdraudējumiem. Pievērsiet uzmanību drošības apzīmējumiem un to skaidrojumiem, un izprotiet tos. Brīdinājumu apzīmējumi paši par sevi nenovērs apdraudējumu. Tajos ietvertie norādījumi un brīdinājumi neaizstāj atbilstošu negadījumu novēršanas pasākumu īstenošanu.

**▲ BRĪDINĀJUMS!** Pirms šī instrumenta lietošanas izlasiet un izprotiet visus šajā lietotāja rokasgrāmatā iekļautos drošības norādījumus, tostarp visus drošības brīdinājuma apzīmējumus, piemēram, **"BĪSTAMI!"**, **"BRĪDINĀJUMS!"** un **"UZMANĪBU!"**. Visu turpmāk uzskaitīto norādījumu neievērošana var izraisīt elektriskās strāvas triecienu, aizdegšanos un/ vai smagus miesas bojājumus.

**DROŠĪBAS INSTRUKCIJA**

Šajā lapaspusē ir parādīti un aprakstīti drošības apzīmējumi, kas var būt norādīti uz šī izstrādājuma. Pirms instrumenta salikšanas un lietošanas izlasiet, izprotiet un ievērojiet visus norādījumus par instrumentu.



Drošības brīdinājums



Lai mazinātu traumu gūšanas bīstamību, lietotājam jāizlasa lietotāja rokasgrāmata.



Valkāt acu aizsarglīdzekļus



Valkāt dzirdes aizsarglīdzekļus



Elektrisko izstrādājumu atkritumus nedrīkst izmest kopā ar sadzīves atkritumiem. Nogādāt uz pilnvarotu pārstrādes punktu.



Šis izstrādājums atbilst piemērojamām EK direktīvām.



Līdzstrāva



Šis izstrādājums atbilst piemērojamiem Apvienotās Karalistes tiesību aktiem.

V Priegums

kg Kilograms

°C Celsijs

mm Milimets

/min Apgrīzieni minūtē

IPX4 Aizsardzība pret ūdens šļakatām

**LV**

## VISPĀRĪGI DROŠĪBAS BRĪDINĀJUMI ATTIECĪBĀ UZ MAŠĪNĀM

**▲ BRĪDINĀJUMS!** Izlasiet visus šīs mašīnas dokumentācijā norādītos drošības brīdinājumus, norādījumus, specifiskācijas un aplūkojiet attēlus. Visu turpmāk uzskaitīto norādījumu neievērošana var izraisīt elektriskās strāvas triecienu, aizdegšanos un/vai smagus savainojumus.

Saglabājiet visus brīdinājumus un instrukcijas turpmākai atsaucei.

### Drošība darba zonā

- Uzturiet darba zonu tīru un labi apgaismotu. Nesakārtota un slikti apgaismota darba zonā var notikt nelaimes gadījumi.
- Nedarbiniet mašīnas eksplozīvās vidēs, piemēram, uzliesmojošu šķidrumu, gāzu vai putekļu klātbūtnē. Mašīnas var radīt dzirksteles, kas var aizdedzināt putekļus vai tvaikus.
- Neļaujiet bērniem un klātesošajiem atrasties mašīnas tuvumā, kamēr tas darbojas. Apjukuma brīdī jūs varat zaudēt vadību pār ierīci.

### Elektrodrošība

- Instrumenta kontaktdakšai ir jāatbilst kontaktlīdzdai. Nekad nekādā veidā nepārveidojiet kontaktdakšu. Neizmantojiet adaptera kontaktdakšas kopā ar iezemētām mašīnām. Lietojot nepārveidotas kontaktdakšas un atbilstošas kontaktlīdzdas, tiek samazināts elektriskās strāvas triecienu risks.
- Nepieskarities saņemtiem virsmām, piemēram cauruļvadiem, radiatoriem, plīfīm un ledusskapjiem. Ķermenim saņemoties, tiek palielināts elektriskās strāvas triecienu risks.
- Nepakļaujiet instrumentus lietus vai mitru apstākļu iedarbībai. Instrumentā iekļuvušais ūdens palielina elektriskās strāvas triecienu risku.
- Nebojājiet strāvas vadu. Nekādā gadījumā nenesiet, nevelciet vai neatvienojiet mašīnu aiz strāvas vada. Sargājiet strāvas vadu no karstuma, eļļas, asām malām vai kustīgām daļām. Bojāti vai sapinušies strāvas vadi palielina elektriskās strāvas triecienu risku.
- Strādājot ar mašīnu ārpus telpām, izmantojiet tikai tādas pagarinātājus, kas ir paredzēti lietošanai ārpus telpām. Āra darbiem paredzēta vada pagarinātāja izmantošana samazina elektriskās strāvas triecienu risku.

- Ja tomēr mašīnas darbināšana mitrā vidē ir neizbēgama, izmantojiet ar zemslēguma ķēžu pārtraucēju (GFCI) aizsargātu avotu. Izmantojot GFCI, tiek samazināts elektriskās strāvas triecienu risks.

### Personīgā drošība

- Izmantojot mašīnu, esiet modri, sekojiet līdzi savām darbībām un rīkojieties saprātīgi. Nelietojiet mašīnu, ja esat noguruši vai atrodaties apreibinošu vielu, alkohola vai medikamentu ietekmē. Brīdis neuzmanības, darbojoties ar mašīnām, var izraisīt smagus savainojumus.
- Izmantojiet individuālos aizsarglīdzekļus. Vienmēr valkājiet acu aizsarglīdzekļus. Ja tiek lietots darba specifiskai atbilstošs aizsargapriekojums, piemēram, maska ar putekļu filtru, neslidoši darba apavi, ķivere vai austiņas, samazinās traumu gūšanas risks.
- Novērsiet nejaušas ieslēgšanās iespējamību. Pirms instrumenta pievienošanas strāvas avotam un/vai akumulatoram pārliecinieties, ka slēdzis atrodas izslēgšanas pozīcijā. Pārnēsājot instrumentu ar pirkstu uz slēdža vai instrumentu pieslēdzot pie barošanas avota ar slēdzi ieslēgtā pozīcijā, jūs veicināt negadījumu veidošanos.
- Pirms instrumenta ieslēgšanas noņemiet visas regulēšanas vai uzgriežņu atslēgas. Uzgriežņu vai regulēšanas atslēga, kas palikusi piestiprināta pie mašīnas rotējošās daļas, var radīt savainojumus.
- Nepārvērtējiet savas spējas. Ieņemiet pareizu stāju un vienmēr saglabājiet līdzsvaru. Tas ļauj labāk kontrolēt mašīnu neparedzētās situācijās.
- Valkājiet atbilstošu apģērbu. Nevalkājiet vaļīgu apģērbu vai rotaslietas. Sargājiet matus, apģērbu un cimdus no kustīgajām daļām. Vaļīgs apģērbs, rotaslietas vai gari mati var iekļerties instrumenta kustīgajās daļās.
- Ja iekārtas ir paredzētas savienošanai ar putekļu nosūkšanas un savākšanas iekārtām, pārliecinieties, vai tās ir pieslēgtas un tiek izmantotas pareizi. Putekļu savākšanas ierīču izmantošana var samazināt ar putekļiem saistītos apdraudējumus.
- Nepieļaujiet, ka mašīnas bieža lietošana izraisa nevērīgu attieksmi darbā ar to, un neignorējiet ar mašīnas lietošanu saistītos drošības principus. Viens brīdis neuzmanības var izraisīt nopietnas traumas.

## Urbjmašīnas izmantošana un kopšana

- **Nepiespiediet mašīnu ar spēku.** Izmantojiet lietojuma nolūkam atbilstošu mašīnu. Pareizā mašīna nodrošinās labākus rezultātus un būs drošāks darba ātrums, kuram tas ir paredzēts.
- **Nelietojiet mašīnu, ja slēdzis to neieslēdz un neizslēdz.** Mašīna, ko nevar ieslēgt un izslēgt ar slēdzi, ir bīstama un jāsalabo.
- **Pirms jebkādu pielāgojumu veikšanas, piederumu maiņas vai iekārtas novietošanas glabāšanā atvienojiet kontaktdakšu no barošanas avota un/ vai izņemiet no mašīnas akumulatoru, ja tas ir iespējams.** Šie drošības pasākumi palīdzēs izvairīties nejaudas mašīnas ieslēgšanas riska.
- **Ja mašīna kādu laiku netiek lietota, uzglabājiet to bērniem nepieejamā vietā un neļaujiet ar mašīnu darboties personām, kas to nepārzina vai nav izlasījušas šo instrukciju.** Mašīnas ir bīstamas, ja ar tām darbojas neapmācīti lietotāji.
- **Uzturiet mašīnas un piederumus darba kārtībā.** Pārbaudiet, vai kustīgās daļas nav zaudējušas savienojuma precizitāti, vai kāda detaļa nav salūzusi vai nav kāda cita kļūme, kas var ietekmēt instrumenta darbību. Ja ir radušies bojājumi, pirms lietošanas lieciet salabot mašīnu. Daudzus nelaimes gadījumus izraisa slikti uzturēti instrumenti.
- **Griezējinstrumentiem jābūt asiem un tīriem.** Rūpīgi kopti griezējinstrumenti ar asām griezējmalām retāk iestrēgst un ir vieglāk vadāmi.
- **Lietojiet mašīnu, tās piederumus un uzgajus atbilstoši šiem norādījumiem, ņemot vērā darba apstākļus un veicamo uzdevumu.** Mašīnas lietošana neparedzētiem mērķiem var radīt bīstamu situāciju.
- **Rokturiem un satveršanas daļām jābūt sausām, tīrām un uz tām nedrīkst būt eļļa vai smērviela.** Ja rokturi un satveršanas daļas ir mitras, tās novērsīs drošu mašīnas vadāmību un kontroli neparedzētās situācijās.

## Ar akumulatoru darbināmas mašīnas lietošana un kopšana

- **Uzlādējiet instrumentu tikai ar ražotāja noteikto lādētāju.** Lādētājs, kas paredzēts lietošanai tikai ar viena veida akumulatoru bloku, var radīt aizdegšanās draudus, ja to izmanto kopā ar citu akumulatoru bloku.
- **Lietojiet mašīnas kopā tikai ar tām paredzētiem akumulatoriem.** Jebkura cita akumulatoru bloka lietošana var radīt traumu gūšanas un aizdegšanās risku.

- **Kad akumulatoru bloks netiek izmantots, neglabājiet to citu metāla priekšmetu, piemēram, papīra saspaužu, monētu, atslēgu, naglu, skrūvju vai citu sīku metāla priekšmetu, kas var veidot savienojumu starp spailēm, tuvumā.** Akumulatora spaiļu īsslēgums var izraisīt aizdegšanos vai ugunsgrēku.
- **Nepareizas rīcības gadījumā no akumulatora var iztectēt šķidrums; izvairieties no saskares ar to.** Ja tas nejauši nokļuvis uz ādas, noskalojiet ar ūdeni. Ja šķidrums iekļuvis acīs, nekavējoties meklējiet medicīnisko palīdzību. No akumulatora izkļuvušais šķidrums var izraisīt kairinājumu vai apdegumus.
- **Nelietojiet bojātu vai pārveidotu akumulatoru vai instrumentu.** Bojātu vai pārveidotu akumulatoru izmantošana var izraisīt neparedzamus apstākļus, kas rada aizdegšanās, sprādziena vai traumas gūšanas draudus.
- **Nepakļaujiet akumulatoru vai instrumentu uguns liesmu vai pārmērīgas temperatūras iedarbībai.** Uguns liesmu iedarbība vai temperatūra virs 130 °C var izraisīt sprādzienu.
- **Izpildiet visas uzlādēšanas instrukcijas un neuzlādējiet akumulatoru vai instrumentu ārpus instrukcijās norādītajām temperatūras vērtībām.** Ja iekārta tiek uzlādēta nepareizi vai tiek pārsniegtas instrukcijās norādītās uzlādēšanas temperatūras vērtības, akumulators var sabojāties un palielināt aizdegšanās risku.

## Serviss

- **Jūsu mašīnai remontu drīkst veikt tikai kvalificēts speciālists, kas izmanto tikai identiskas rezerves daļas.** Tādējādi tiek saglabāta iekārtas ekspluatācijas drošība.
- **Nekad neveiciet bojātam akumulatoru blokam remontdarbus pašrocīgi.** Bojāta akumulatoru bloka remontdarbus drīkst veikt tikai ražotājs vai pilnvaroti servisa darbinieki.

## DROŠĪBAS BRĪDINĀJUMI LEDUS URBIM

- **Nomainiet urbju, ja tie ir saplaisājuši, saliekti vai jebkādā veidā bojāti.** Darbinot urbjmašīnu ar bojātu uzgali, varat gūt nopietnas traumas.
- **Nekad nelietojiet urbjmašīnu, ja rokturi atrodas augstāk par vidukļa līmeni.** Tas ierobežo urbjmašīnas vadību un var palielināt traumu risku.
- **Turiet urbjmašīnu ar abām rokām aiz paredzētajiem rokturiem.** Zaudējot vadību pār darbinstrumentu, pastāv savainojumu risks.

- Turiet mašīnu aiz izolētām satvērējvismām, veicot darbības, kurās urbšanas piederums var saskarties ar slēptiem vadiem. Nonākot saskarē ar strāvu vadošu vadu, urbšanas aprīkojums var radīt spriegumu iekārtas atklātajās metāla daļās un pakļaut operatoru elektriskās strāvas triecienam.
- Lai samazinātu elektriskās strāvas trieciena risku, nekad neizmantojiet urbjmašīnu ieraktu elektrības kabeļu tuvumā. Saskare ar zemē ieraktiem elektrības kabeļiem vai lietošana to tuvumā var izraisīt nopietnas traumas vai elektriskās strāvas triecienu, kas var izraisīt nāvi.
- Vienmēr iedarbiniet urbjmašīnu ar mazu ātrumu un nolieciet tā uzgaļa galu pie zemes. Darbinot ar lielāku ātrumu, uzgalis var saliekties, ja tam ļauj brīvi griezties, nesaskaroties ar zemi, izraisot miesas bojājumus.
- Piespiediet tieši tādā virzienā, kādā vērstis uzgalis, un nespiediet pārāk stipri. Uzgaļi var saliekties, tā tie var salūzt vai varat zaudēt kontroli pār instrumentu un gūt savainojumu.
- Vienmēr pārliecinieties, ka jums ir stingrs pamats zem kājām. Lietojot urbjmašīnu augstākā vietā, pārliecinieties, vai neviens neatrodas zem tās.
- Stingri turiet urbjmašīnu.
- Netuviniet rokas rotējošajām daļām.
- Neatstājiet urbjmašīnu ieslēgtu. Darbiniet urbjmašīnu, tikai tad, kad tā ir paņemta rokās.
- Nepieskarieties uzreiz pēc urbšanas urbjmašīnas uzgalim. Tas var būt ļoti karsts un var apdedzināt ādu.
- Ja urbjmašīna nedarbojas kā parasti, piemēram, rodas neparastas skaņas, nekavējoties pārtrauciet darbu un nogādājiet ar vietējo servisa centru, lai veiktu remontu.
- Lai samazinātu sprādziena risku, nekad nelietojiet urbjmašīnu zemē ieraktu gāzes vadu, tostarp ūdensvadu un cauruļu, tuvumā. Saskare ar ieraktiem ūdens vai gāzes vadiem vai lietošana to tuvumā var izraisīt ūdensvadu pārrāvumu un eksploziju no gāzes vadiem, kas var izraisīt nopietnus savainojumus vai nāvi.
- Nekad neurbiet, pārsniedzot maksimālo ātrumu, kas norādīts uz urbšanas uzgaļa. Rotējot lielākā ātrumā un nesaskaroties ar urbjamo detaļu, uzgalis var saliekties, kas var izraisīt savainojumu.
- Ar akumulatoru darbināmām urbjmašīnām nav jābūt pievienotām strāvas avotam, tāpēc tās vienmēr ir gatavas darbam. Pat, ja urbjmašīna nedarbojas, vienmēr sargieties no iespējama apdraudējuma. Ievērojiet piesardzību, veicot apkopes vai uzturēšanas darbus.

- Nemazgājiet ar šūteni; nepieļaujiet ūdens iekļūšanu motorā un elektriskajos savienojumos.
- Ledus griezējamsmeņi ir ļoti asi. Urbjot caurumu vai nomainot asmeņus, rīkojieties īpaši piesardzīgi. Pēc katras lietošanas reizes uzlieciet asmens aizsargu.
- Bieži pārbaudiet un pārliecinieties, vai fiksācijas skrūve ir nostiprināta.
- Izmantojiet tikai ar norādītajiem akumulatoru blokiem un lādētājiem.

**Saglabājiet šo norādījumus.** Izlasiet un izmantojiet šo instrukciju, lai sniegtu norādījumus citiem, kas izmanto šo iekārtu. Ja jūs šo mašīnu aizdotat kādai citai personai, aizdodiet arī šo rokasgrāmatu, lai nepieļautu, ka produkts tiek lietots nepareizi, kā arī lai izvairītos no iespējamām traumām.

## SPECIFIKĀCIJAS

Urbjmašīnas uzgaļa/cauruma diametrs	200 mm	
Maksimālais urbšanas dziļums	990 mm	
Svars (bez akumulatoru bloka)	3,7 kg	
Ieteicamā darba temperatūra	- 20°C - 40°C	
Ieteicamā uzglabāšanas temperatūra	- 40°C - 70°C	
Skaņas intensitātes līmenis $L_{WA}$	97,6 dB(A) K=3 dB(A)	
Skaņas spiediena līmenis $L_{PA}$	89,6 dB(A) K=3 dB(A)	
Vibrācija $a_h$	Labais rokturis	2,52 m/s <sup>2</sup> K=1,5 m/s <sup>2</sup>
	Kreisais rokturis	2,45 m/s <sup>2</sup> K=1,5 m/s <sup>2</sup>

LV

- Deklarētās vibrāciju emisijas kopējās vērtības ir izmērītas saskaņā ar standarta pārbaudes metodi, un vērtības var izmantot vienas mašīnas salīdzināšanai ar citu.
- Deklarēto vibrāciju emisijas vērtību var arī lietot iepriekšējai vibrāciju iedarbības novērtēšanai.

**PIEZĪME!** Vibrāciju emisijas faktiskajā iekārtas lietošanas laikā var atšķirties no deklarētās vērtības. Lai pasargātu operatoru, lietotājam jāvalkā cimdi un dzirdes aizsarglīdzekļi atbilstoši faktiskajiem darba apstākļiem.

## IETEICAMIE PIEDERUMI

**⚠ BRĪDINĀJUMS!** Izmantojiet tikai turpmāk norādītos piederumus. Oriģinālā aprīkojuma specifikācijām neatbilstošu daļu izmantošana var radīt nepareizu mašīnas darbību un apdraudēt jūsu drošību.

DAĻAS NOSAUKUMS	MODEĻA NUMURS
Ledus urbja uzgaļa asmens	AB08001

## IĒPAKOJUMA SATURA SARAKSTS (A (ATT.))

### APRAKSTS

#### IĒPAZĪSTIET SAVU LEDUS URBJMAŠĪNU (A attēls)

1. Ledus urbja uzgalis
2. Fiksācijas skrūve
3. Asmens aizsargs
4. Ledus griezējasmens
5. Seškanšu atslēga (6 mm)

### MONTĀŽA

#### LEDUS URBJA UZGAĻA UZSTĀDĪŠANA

**⚠ BRĪDINĀJUMS!** Urbja uzgalis ir ļoti ass. Lai izvairītos no miesas bojājumu gūšanas, tīrīšanas, uzstādīšanas vai noņemšanas laikā ievērojiet īpašu piesardzību. Veicot jebkādas urbja uzgaļa apkopes darbus, vienmēr valkājiet aizsargcimdus.

1. Atbrīvojiet un noņemiet fiksācijas skrūvi no ledus urbja uzgaļa.
2. Uzstādiet urbja augšējo galu uz instrumentgalvas piedziņas vārpstas (B1 attēls).
3. Izlīdziniet savienojuma atveres uz urbja uzgaļa un piedziņas vārpstas.
4. Izmantojiet fiksācijas skrūvi, lai urbja uzgali piestiprinātu pie piedziņas vārpstas. Ar komplektā iekļauto 6 mm sešstūra atslēgu stingri pievelciet fiksācijas skrūvi (B2 attēls).

B1-1	Piedziņas vārpsta	B1-2	Ledus urbja uzgaļa augšējais gals
B2-1	Piedziņas vārpsta	B2-2	Fiksācijas skrūve
B2-3	Plakanā puse		

**PIEZĪME!** Pārlecinieties, ka fiksācijas skrūve ir ievietota savienojuma caurumos no urbja uzgaļa plakanās pusēs.

## EKSPLUATĀCIJA

### PIELIETOJUMS

Šo izstrādājumu var lietot tālāk norādītajiem mērķiem:

- Caurumu urbšana ledū, izmantojot ledus urbja uzgali.

#### LEDUS URBJA IEDARBINĀŠANA/APTURĒŠANA

Skatiet instrumentgalvas PHA7400E lietotāja rokasgrāmatā sadaļu „**INSTRUMENTGALVAS PALAIŠANA/ APTURĒŠANA**”.

**PIEZĪME!** Pirms darba uzsākšanas uzvelciet aizsargcimdus un noņemiet ledus griezējasmens aizsargu.

#### DARBS AR LEDUS URBJMAŠĪNU

##### ⚠ BRĪDINĀJUMS!

- Pirms urbmašīnas lietošanas sazinieties ar vietējo komunālo pakalpojumu nodrošinātāju, lai noskaidrotu, kur atrodas apakšzemes komunālo pakalpojumu cauruļvadi, lai izvairītos no saskares ar tiem.
- Neizmantojiet ledus urbja mašīnu nolūkiem, kam tā nav paredzēta.
- Izmantojiet ledus urbi, lai izurbtu caurumus tikai ledū.

- Izvairieties urbt materiālos, ja ir aizdomas, ka tajos var būt naglas vai citi priekšmeti, kas var izraisīt urbja uzgaļa sasprīgošanos vai lūzumu.
- Uzmanīgi sekojiet līdz urbmašīnas griezes momenta reakcijas spēkam. Vienmēr saglabājiet tādu darba pozīciju, kādā varat izturēt griezes momenta reakcijas spēku.
- Esiet īpaši piesardzīgi, strādājot slīpumā vai uz nelīdzenas virsmas.

**PIEZĪME!** Pirms lietošanas pārbaudiet, vai atverēs un kustīgajās daļās nav iestrēguši kādi svešķermeņi (smiltis, neīrums utt.).

- a. Stingri nostāieties ar pēdām uz darba virsmas, un pagrieziet rokturus vidukļa tuvumā. Ar labo roku stingri satveriet labo rokturi, bet ar kreiso roku — kreiso rokturi (C1 attēls).

C1-1	Labais rokturis	C1-2	Kreisais rokturis
------	-----------------	------	-------------------

**⚠ BRĪDINĀJUMS!** Nekad nesatveriet labo rokturi ar kreiso roku un kreiso rokturi ar labo roku. Nepareiza roku pozīcija var izraisīt nopietnas traumas (C2 attēls).

**⚠ BRĪDINĀJUMS!** Izvairieties no nepareizas novietojuma (C3. attēls). Nestāviet pārāk tālu no urbjmašīnas. Atsītienu gadījumā var nebūt iespējams nodrošināt pareizu reakciju un vadību.

- b. Neturiet urbjmašīnas uzgali ķermeņa tuvumā, un pārvērsiet urbjmašīnas uzgali uz leju 90° leņķī pret augsnes virsmu.
- c. Iestatiet rotācijas virzienu un ātrumu.
- d. Paceliet urbjmašīnu virs virsmas. Nospiediet bloķēšanas pogu un saspiediet ieslēgšanas slēdzi.

**⚠ BRĪDINĀJUMS!** Nepieskarieties urbjmašīnas uzgalm ieslēgtas urbjmašīnas laikā.

- e. Ļaujiet urbim uzņemt pilnu apgriezīgu skaitu.
- f. Nolaidiet urbjmašīnas uzgali virsmā, saglabājot 90° leņķi (C4 attēls). Ļaujiet urbjmašīnai iespiesties materiālā, lai urbjmašīna var veikt savu darbu.
- g. Kad urbjmašīnas uzgali sāk piepildīties ar gruziem, ir svarīgi to pastāvīgi iztīrīt, lai urbums būtu tīrs un samazinātu nepieciešamo piepūli — kamēr urbis darbojas pilnā ātrumā, lēnām izceliet to no cauruma un ļaujiet gruziem izkrist no urbjmašīnas uzgala.
- h. Urbjmašīnas lietošanas beigās atļaidiet ieslēgšanas slēdzi un ļaujiet urbim pilnībā apstāties.
- i. Atstājot mašīnu bez uzraudzības, piemēram, pārtraukuma laikā, neatstājiet to ievietotu ledū vai atbalsētā pret sienu. Uzlieciet asmens aizsargu uz ledus urbjmašīnas uzgala un uzglabājiet mašīnu stabilā stāvoklī.

#### PADOMI LEDUS URBJMAŠĪNAS LIETOŠANAI

- Pārmērīgi spiežot mašīnu, urbšana netiks paātrināta. Pārmērīgs spiediens tikai sabojā urbjmašīnas uzgala galu, samazina urbjmašīnas veiktspēju un saīsina tās kalpošanas laiku.
- Urbjot dziļu bedri vai mālainā augsnē, nemēģiniet izurbt uzreiz. Urbiet bedri, paceļot urbjmašīnu uz augšu un uz leju, lai uzgali varētu atbrīvot no bedrē esošās iridenās augsnes.
- Ja urbjmašīnas griešanās ātrums palēninās lielas slodzes dēļ, paceliet urbjmašīnu nedaudz uz augšu un pārvietojiet to uz augšu un uz leju, lai urbtu ar vairākiem, maziem piegājieniem.
- Iespējamā urbjmašīnas uzgali var izņemt, vienkārši ieslēdzot reversās urbšanas funkciju, lai to izvilktu atpakaļgaitā. Darbinot reverso funkciju, atbalsē urbjmašīnu pret ķermeni, lai novērstu reakciju pulksteņrādītāja kustības virzienā.

- Pirms darba sākšanas ar ledus urbjmašīnu uz aizuļošanas dīķa, ezera vai upes, sazinieties ar vietējām iestādēm un veiciet visus nepieciešamos piesardzības pasākumus, lai pārliecinātos par drošu ledus biezumu.
- Izņemot ledus urbjmašīnas uzgali no atveres, paceliet urbjmašīnu vertikāli tā, lai uzgali iznāktu taisni, nevis slīpumā. Lai mazinātu šķakatu veidošanos, urbjot caurumus ledū, nekavējoties atļaidiet sprūda slēdzi, kad ledus urbjmašīna izurbj cauri ledum. Lēnām paceliet urbjmašīnu. Aizklājiet un skaidri atzīmējiet urbuma vietas, lai novērstu iespēju, ka kāds varētu iekāpt urbumā.

#### APKOPE

**⚠ BRĪDINĀJUMS!** Lai izvairītos no miesas bojājumiem, pirms iekārtas apkopes vai tīrīšanas darbu veikšanas, papildierīču nomainīšanas vai ūdens izliešanas no tās, izņemiet no iekārtas akumulatoru bloku.

#### VISPĀRĒJĀ APKOPE

Plastmasas detaļu tīrīšanai neizmantojiet šķīdinātājus. Vairums plastmasu ir uzņēmīgas pret dažāda veida komerciālu šķīdinātāju radītiem bojājumiem un, tos izmantojot, var tikt sabojātas. Lai notīrītu netīrumus, putekļus, eļļu, smērvielas u.c., izmantojiet tīras lupatīņas.

**⚠ BRĪDINĀJUMS!** Plastmasas daļas nekādā gadījumā nedrīkst saskarties ar bremžu šķidrums, degvielu, naftas produktiem, iesūcošos eļļu un tamlīdzīgi. Ķīmiskās vielas var radīt bojājumus, kā arī mazināt plastmasas daļas izturību vai iznīcināt tās, radot smagus miesas bojājumus.

#### LEDUS GRIEZĒJASMEŅU NOMAIŅĀ

Ja ledus urbis, urbjot ledū caurumus, sāk "lēkāt" pa ledu vai lēni urbt, iespējams, būs jānomaina ledus griezējasmēņi.

Nepieciešamie rīki: 6 mm seškanšu atslēga (iekļauta komplektā), 3 mm seškanšu atslēga (nav komplektā)

1. Izņemiet akumulatora bloku no urbjmašīnas un noņemiet ledus urbjmašīnas uzgali no instrumentgalvas piedziņas vārpstas, izmantojot 6 mm seškanšu atslēgu, lai atslēgtu un izņemtu fiksējo skrūvi.
2. Uzvelciet aizsargcimdus un noņemiet ledus griezējasmens aizsargu (D1 attēls).
3. Izmantojot 3 mm seškanšu atslēgu, atskrūvējiet un izņemiet skrūves un noņemiet ledus griezējasmēņus no ledus urbjmašīnas (D2 attēls).
4. Nomainiet asmeņus ar jauniem un stingri pievelciet.
5. Uzstādiet asmens aizsargu.

D1-1	Asmens aizsargs	D1-2	Ledus griezējas- meņi
D2-1	Skrūve	D2-2	Ledus griezējas- mens

## LEDUS URBJMAŠĪNAS UZGAĻA UZGLABĀŠANA

1. Izņemiet akumulatoru bloku.
2. Izņemiet skrūvgriezi no instrumentgalvas piedziņas vārpstas.
3. Pirms uzglabāšanas rūpīgi notīriet urbja mašīnu.
4. Uzlieciet asmens aizsargu uz ledus urbja uzgaļa.
5. Uzglabājiet urbja uzgali sausā, labi vēdināmā, aizslēdzamā vai augstā — bērniem nepieejamā — vietā. Neuzglabājiet urbja uzgali blakus mēslojumam, benzīnam vai citām ķimikālijām.

## Apkārtējās vides aizsardzība



Neutilizējiet elektrisko aprīkojumu, izlietoto akumulatoru un lādētāju sadzīves atkritumos! Nogādājiet šo produktu uz pilnvarotu pārstrādes punktu un sagatavojiet atkritumu šķirošanai.

Elektriskos instrumentus jānogādā videi nekaitīgā pārstrādes rūpnīcā.

**KEES VAN DER SPEK**  
TUIN EN PARKMACHINES \* TER AAR

## KĻŪDU NOVĒRŠANA

PROBLĒMA	CĒĻONIS	RISINĀJUMS
Urbjamašīna nesāk darboties vai pēkšņi apstājas.	<ul style="list-style-type: none"> <li>Zems akumulatora uzlādes līmenis.</li> <li>Akumulators ir pārkaris vai pārāk auksts.</li> <li>Labā roktura kabelis nav pareizi savienots ar instrumentgalvas kabeli.</li> </ul>	<ul style="list-style-type: none"> <li>Uzlādējiet akumulatoru bloku.</li> <li>Pagaidiet, līdz akumulators atdziest vai iesilst, un pēc tam vēlreiz varēs iedarbināt urbjamašīnu.</li> <li>Savienojiet labā roktura un instrumentgalvas kabelus, ievērojot instrumentgalvas PHA7400E operatora rokasgrāmatā sniegtās sadaļas <b>“ROKTURU UZSTĀDĪŠANA”</b> norādījumus.</li> </ul>
Darbības laikā rodas pārāk liels troksnis un/ vai vibrācija.	<ul style="list-style-type: none"> <li>Atskrūvējušās daļas.</li> </ul>	<ul style="list-style-type: none"> <li>Apturiet urbjamašīnu, izņemiet akumulatoru, pārbaudiet un pievelciet atskrūvējušās daļas.</li> </ul>
Darbojas motors, bet urbis negriežas.	<ul style="list-style-type: none"> <li>Atskrūvējies urbja uzgalis.</li> </ul>	<ul style="list-style-type: none"> <li>Uzstādiet atpakaļ urbja uzgali, ievērojot šīs rokasgrāmatas sadaļā <b>“LEDUS URBJAMAŠĪNAS UZGAĻA UZSTĀDĪŠANA”</b> sniegtos norādījumus.</li> </ul>
Ledus urbjamašīna sāk “lēkāt” pa ledu vai lēni urbt.	<ul style="list-style-type: none"> <li>Nodiluši vai bojāti asmeņi.</li> </ul>	<ul style="list-style-type: none"> <li>Uzlieciet jaunus asmeņus, ievērojot šīs rokasgrāmatas sadaļā sniegtos norādījumus <b>“LEDUS GRIEZĒJASMEŅU NOMAIŅA”</b>.</li> </ul>
Urbja griešanās virziens vai ātrums netiek pārslēgts pēc griešanās virziena/ ātruma selektora nospiešanas.	<ul style="list-style-type: none"> <li>Griešanās virziena pārslēgšana uz priekšu un atpakaļgaitā ir iespējama tikai tad, kad urbis ir apturēts.</li> <li>Citi neidentificētie cēloņi.</li> </ul>	<ul style="list-style-type: none"> <li>Pilnībā apturiet urbi, nospiediet griešanās virziena/ātruma pārslēgšanas slēdzi vajadzīgajā griešanās ātrumā un pēc tam iedarbiniet urbjamašīnu vēlreiz.</li> <li>Sazinieties ar EGO servisu, lai veiktu remontu.</li> </ul>

## GARANTĪJA

### EGO GARANTĪJAS POLITIKA

Lūdzam apmeklēt tīmekļa vietni [egopowerplus.eu](http://egopowerplus.eu), kur pieejama pilna EGO garantijas politikas noteikumu un nosacījumu versija.

LV

**ΔΙΑΒΑΣΤΕ ΟΛΕΣ ΤΙΣ ΟΔΗΓΙΕΣ!****ΔΙΑΒΑΣΤΕ ΤΟ ΕΓΧΕΙΡΙΔΙΟ ΧΡΗΣΗΣ**

**⚠️ ΠΡΟΕΙΔΟΠΟΙΗΣΗ:** Προκειμένου να διασφαλιστεί η ασφάλεια και η αξιοπιστία, όλες οι επισκευές πρέπει να διενεργούνται από εξειδικευμένο τεχνικό του σέρβις.

**ΣΥΜΒΟΛΟ ΑΣΦΑΛΕΙΑΣ**

Ο σκοπός των συμβόλων ασφαλείας είναι να σας επιστήσουν την προσοχή σε ενδεχόμενους κινδύνους. Λαμβάνετε υπόψη και εξοικειωθείτε με τα σύμβολα ασφαλείας και τις επεξηγήσεις που τα συνοδεύουν. Τα σύμβολα προειδοποίησης από μόνα τους δεν εξαλείφουν κανέναν κίνδυνο. Οι οδηγίες και οι προειδοποιήσεις που παρέχουν δεν υποκαθιστούν τα ενδεδειγμένα μέτρα πρόληψης ατυχημάτων.

**⚠️ ΠΡΟΕΙΔΟΠΟΙΗΣΗ:** Βεβαιωθείτε ότι έχετε διαβάσει και κατανοήσει όλες τις οδηγίες ασφαλείας στο παρόν εγχειρίδιο χρήσης, συμπεριλαμβανομένων όλων των συμβόλων ασφαλείας, όπως «**ΚΙΝΔΥΝΟΣ**», «**ΠΡΟΕΙΔΟΠΟΙΗΣΗ**» και «**ΠΡΟΣΟΧΗ**», προτού χρησιμοποιήσετε αυτό το ηλεκτρικό εργαλείο. Η μη τήρηση όλων των παρακάτω οδηγιών μπορεί να οδηγήσει σε ηλεκτροπληξία, πυρκαγιά και/ή σοβαρό τραυματισμό.

**ΟΔΗΓΙΕΣ ΑΣΦΑΛΕΙΑΣ**

Αυτή η σελίδα απεικονίζει και περιγράφει τα σύμβολα ασφαλείας που μπορεί να υπάρχουν επάνω στο προϊόν. Διαβάστε, κατανοείτε και τηρείτε όλες τις οδηγίες στη μηχανή, προτού προσπαθήσετε να εκτελέσετε εργασίες συναρμολόγησης και λειτουργίας.



Προειδοποίηση ασφαλείας



Προκειμένου να μειωθεί ο κίνδυνος τραυματισμού, ο χρήστης πρέπει να διαβάσει το εγχειρίδιο χρήσης.



Φοράτε προστατευτικά γυαλιά



Φοράτε προστατευτικά ακοής



Τα απόβλητα ειδών ηλεκτρικού και ηλεκτρονικού εξοπλισμού δεν πρέπει να απορρίπτονται στα οικιακά απορρίμματα. Πρέπει να παραδίδονται σε εξουσιοδοτημένη μονάδα ανακύκλωσης.



Αυτό το προϊόν συμμορφώνεται με τις εφαρμοστέες οδηγίες της ΕΚ.

**GR**

Συνεχές ρεύμα



Αυτό το προϊόν συμμορφώνεται με την ισχύουσα νομοθεσία του Η.Β.

V Τάση

kg Κιλό

°C Βαθμοί Κελσίου

mm Χιλιοστό

/min Στροφές ανά λεπτό

IPX4 Προστασία από εκτοξευμένο νερό

## ΓΕΝΙΚΕΣ ΠΡΟΕΙΔΟΠΟΙΗΣΕΙΣ ΑΣΦΑΛΕΙΑΣ ΓΙΑ ΜΗΧΑΝΕΣ

**▲ ΠΡΟΕΙΔΟΠΟΙΗΣΗ:** Μελετήστε όλες τις προειδοποιήσεις ασφάλειας, τις οδηγίες, τις εικόνες και τις προδιαγραφές που συνοδεύουν αυτή τη μηχανή. Εάν δεν τηρηθούν όλες οι οδηγίες που αναφέρονται παρακάτω, μπορεί να προκληθεί ηλεκτροπληξία, πυρκαγιά και/ή σοβαρός τραυματισμός.

Φυλάξτε όλες τις προειδοποιήσεις και τις οδηγίες για μελλοντική αναφορά.

### Ασφάλεια στο χώρο εργασίας

- Διατηρείτε το χώρο εργασίας καθαρό και καλά φωτισμένο. Οι ακατάστατοι χώροι και οι χώροι με κακό φωτισμό ενισχύουν την πιθανότητα ατυχημάτων.
- Μη θέτετε σε λειτουργία μηχανήματα σε εκρηκτικές ατμόσφαιρες όπως σε παρουσία εύφλεκτων υγρών, βενζίνης ή σκόνης. Οι μηχανές δημιουργούν σπινθήρες που μπορεί να αναφλέξουν σκόνη ή αναθυμιάσεις.
- Διατηρείτε τα παιδιά και τους παρευρισκόμενους μακριά, όταν χρησιμοποιείτε τη μηχανή. Εάν κάτι αποσπάσει την προσοχή σας, μπορεί να χάσετε τον έλεγχο.

### Ηλεκτρική ασφάλεια

- Το φως της μηχανής πρέπει να ταιριάζει στην τριζία. Μην τροποποιήσετε ποτέ και με κανέναν τρόπο το φως. Μην χρησιμοποιείτε κανενός είδους προσαρμογείς πριζών με γειωμένες μηχανές. Τα μη τροποποιημένα φως και οι κατάλληλες πρίζες μειώνουν τον κίνδυνο ηλεκτροπληξίας.
- Αποφεύγετε την επαφή με γειωμένες επιφάνειες, όπως σωλήνες, θερμαντικά σώματα, εστίες και ψυγεία. Υπάρχει αυξημένος κίνδυνος ηλεκτροπληξίας όταν το σώμα σας είναι γειωμένο.
- Μην εκθέτετε τις μηχανές σε βροχή ή υγρές συνθήκες. Η εισχώρηση νερού στη μηχανή αυξάνει τον κίνδυνο ηλεκτροπληξίας.
- Μην κακομεταχειρίζεστε το καλώδιο. Μην χρησιμοποιείτε ποτέ το καλώδιο για να μεταφέρετε, να τραβήξετε ή να αποσυνδέσετε τη μηχανή από την τριζία. Διατηρείτε το καλώδιο μακριά από θερμότητα, λάδια, αιχμηρές γωνίες ή κινούμενα εξαρτήματα. Τα κατεστραμμένα ή μπλεγμένα καλώδια αυξάνουν τον κίνδυνο ηλεκτροπληξίας.
- Όταν χρησιμοποιείτε μια μηχανή σε εξωτερικό χώρο, χρησιμοποιείτε καλώδιο προέκτασης κατάλληλο για χρήση σε εξωτερικούς χώρους. Τα καλώδια που είναι κατάλληλα για εξωτερικούς χώρους

περιορίζουν τον κίνδυνο ηλεκτροπληξίας.

- Εφόσον δεν μπορείτε να αποφύγετε τη χρήση της μηχανής σε περιοχή με υγρασία, χρησιμοποιείτε τροφοδοσία με διακόπτη κυκλώματος βλάβης γείωσης. Η χρήση ενός διακόπτη κυκλώματος βλάβης γείωσης περιορίζει τον κίνδυνο ηλεκτροπληξίας.

### Προσωπική ασφάλεια

- Να βρίσκεστε πάντα σε εγρήγορση, να προσέχετε τι κάνετε και να εφαρμόζετε κοινή λογική όταν χρησιμοποιείτε ένα μηχανήμα. Μην χρησιμοποιείτε καμία μηχανή όταν είστε κουρασμένοι ή υπό την επήρεια ναρκωτικών, αλκοόλ ή φαρμάκων. Μια στιγμή απροσεξίας κατά τη χρήση μηχανής μπορεί να οδηγήσει σε σοβαρό τραυματισμό.
- Χρησιμοποιείτε μέσα ατομικής προστασίας. Φοράτε πάντα προστασία των ματιών. Η χρήση των κατάλληλων μέσων ατομικής προστασίας, όπως μάσκας προστασίας από τη σκόνη, αντιολισθητικών παπουτσιών ασφαλείας, κράνους ή ωτοασπίδων, μειώνει τον κίνδυνο τραυματισμού.
- Λαμβάνετε μέτρα για να μην ενεργοποιηθεί κατά λάθος η συσκευή. Βεβαιώνετε ότι ο διακόπτης βρίσκεται στη θέση απενεργοποίησης προτού συνδέσετε τη μηχανή στην παροχή ρεύματος ή/και στη συστοιχία μπαταριών, ή όταν σηκώνετε ή μεταφέρετε τη μηχανή. Μην μεταφέρετε τη μηχανή έχοντας το δάκτυλο πάνω στο διακόπτη και μην την συνδέετε στην παροχή ρεύματος με ενεργοποιημένο το διακόπτη, διότι αυξάνεται ο κίνδυνος ατυχήματος.
- Προτού ενεργοποιήσετε τη μηχανή, απομακρύνετε κάθε εργαλείο ή κλειδί ρύθμισης. Εάν το εργαλείο ή το κλειδί ρύθμισης παραμείνει επάνω στο περιστρεφόμενο μέρος της μηχανής, μπορεί να προκληθεί τραυματισμός.
- Μην τεντώνετε υπερβολικά για να πραγματοποιήσετε την εργασία. Πατάτε πάντα σταθερά και διατηρείτε την ισορροπία σας. Έτσι θα ελέγχετε καλύτερα τη μηχανή, σε περίπτωση απροσδόκητων καταστάσεων.
- Φοράτε κατάλληλα ρούχα. Μη φοράτε φαρδιά ρούχα ή κοσμήματα. Διατηρείτε τα μαλλιά και τα ρούχα σας μακριά από κινούμενα μέρη. Τα φαρδιά ρούχα, τα κοσμήματα ή τα μακριά μαλλιά ενδέχεται να εμπλακούν σε κινούμενα μέρη.
- Εάν υπάρχει δυνατότητα σύνδεσης συσκευών απομάκρυνσης και συλλογής της σκόνης, βεβαιωθείτε ότι αυτές οι συσκευές έχουν συνδεθεί και χρησιμοποιούνται σωστά. Αυτές οι συσκευές μπορούν να περιορίσουν τους κινδύνους που σχετίζονται με τη σκόνη.

GR

- **Ακόμα κι εάν χρησιμοποιείτε συχνά μηχανές, μην εφησυχάζετε και μην παραβλέπετε τις βασικές αρχές ασφαλείας.** Μια στιγμή απροσεξίας μπορεί να οδηγήσει σε σοβαρό τραυματισμό.

## Χρήση και φροντίδα του μηχανήματος

- **Μην πιέζετε το μηχανήμα.** Χρησιμοποιήστε τη σωστή μηχανή για την εκάστοτε εργασία. Η εργασία θα πραγματοποιηθεί καλύτερα και ασφαλέστερα εάν χρησιμοποιηθεί η κατάλληλη μηχανή και στην ταχύτητα για την οποία έχει σχεδιαστεί.
- **Μην χρησιμοποιείτε τη μηχανή εάν δεν μπορείτε να την ενεργοποιήσετε και να την απενεργοποιήσετε από το διακόπτη.** Οποιοδήποτε μηχανή δεν μπορεί να ελεγχθεί με το διακόπτη είναι επικίνδυνη και πρέπει να επισκευαστεί.
- **Αποσυνδέετε το φως από την πηγή ρεύματος και/ή αφαιρείτε τη συστοιχία μπαταριών, εφόσον είναι αποσπώμενη, από τη μηχανή προτού κάνετε οποιαδήποτε ρύθμιση, αλλάζετε παρελκόμενα ή αποθηκεύσετε τη μηχανή.** Αυτά τα προληπτικά μέτρα ασφαλείας μειώνουν τον κίνδυνο ακούσιας εκκίνησης της μηχανής.
- **Εφόσον δεν τη χρησιμοποιείτε, αποθηκεύετε τη μηχανή σε σημείο όπου δεν έχουν πρόσβαση τα παιδιά και μην επιτρέπετε σε άτομα που δεν είναι εξοικειωμένα με αυτήν ή με αυτές τις οδηγίες να τη χρησιμοποιήσουν.** Οι μηχανές είναι επικίνδυνες στα χέρια ατόμων που δεν έχουν εκπαιδευτεί στη χρήση τους.
- **Συντήρηση μηχανών και παρελκόμενων.** Ελέγχετε για κακή ευθυγράμμιση ή εμπλοκή των κινούμενων εξαρτημάτων, για σπασμένα εξαρτήματα και για κάθε άλλη κατάσταση που μπορεί να επηρεάσει τη λειτουργία της μηχανής. Σε περίπτωση ζημιάς, επισκευάστε τη μηχανή πριν από τη χρήση. Πολλά ατυχήματα προκαλούνται εξαιτίας πλημμελών συντηρημένων μηχανών.
- **Διατηρείτε τις μηχανές κοπής κοφτερές και καθαρές.** Οι μηχανές κοπής που συντηρούνται σωστά και διαθέτουν αιχμηρές κόψεις είναι λιγότερο πιθανό να μπλοκάρουν, ενώ είναι ευκολότερες στο χειρισμό.
- **Χρησιμοποιείτε τη μηχανή, τα παρελκόμενα, τις μύτες, κτλ., σύμφωνα με αυτές τις οδηγίες, λαμβάνοντας υπόψη τις συνθήκες εργασίας και την προς εκτέλεση εργασία.** Η χρήση της μηχανής για σκοπούς διαφορετικούς από τους προβλεπόμενους μπορεί να οδηγήσει σε επικίνδυνες καταστάσεις.
- **Διατηρείτε τις λαβές και τις επιφάνειες συγκράτησης στεγνές και καθαρές, χωρίς λάδια και γράσα.** Εάν οι λαβές και οι επιφάνειες συγκράτησης

είναι ολισθηρές δεν θα μπορέσετε να χειριστείτε με ασφάλεια τη μηχανή, ούτε θα μπορέσετε να την ελέγξετε σε περίπτωση που προκύψει κάποια απροσδόκητη κατάσταση.

## Χρήση και φροντίδα μηχανημάτων μπαταρίας

- **Επαναφορτίζετε το ηλεκτρικό εργαλείο μόνο με το φορτιστή που έχει καθορίσει ο κατασκευαστής.** Οι φορτιστές που είναι κατάλληλοι για έναν συγκεκριμένο τύπο συστοιχίας μπαταριών μπορεί να προκαλέσουν πυρκαγιά εάν χρησιμοποιηθούν για κάποιον άλλον τύπο.
- **Χρησιμοποιείτε το μηχανήμα μόνο με τις συστοιχίες μπαταριών που προορίζονται ειδικά για αυτό.** Εάν χρησιμοποιηθεί οποιαδήποτε άλλη συστοιχία μπαταριών, μπορεί να προκληθεί τραυματισμός και πυρκαγιά.
- **Όταν η συστοιχία μπαταριών δεν χρησιμοποιείται, φυλάσσετε την μακριά από μεταλλικά αντικείμενα, όπως, συνδετήρες, κέρματα, κλειδιά, καρφιά, βίδες ή άλλα μικρά μεταλλικά αντικείμενα, τα οποία μπορεί να δημιουργήσουν σύνδεση μεταξύ των ακροδεκτών.** Το βραχυκύκλωμα των ακροδεκτών της συστοιχίας μπαταριών μεταξύ τους ενδέχεται να προκαλέσει εγκαύματα ή πυρκαγιά.
- **Σε συνθήκες κακής χρήσης, μπορεί να διαρρεύσει υγρό από τη συστοιχία μπαταριών.** Αποφύγετε την επαφή με αυτό. Σε περίπτωση τυχαίας επαφής, ξεπλύνετε καλά με νερό. Εάν το υγρό έρθει σε επαφή με τα μάτια, αναζητήστε επιπλέον ιατρική βοήθεια. Το υγρό που διαρρέει από τη συστοιχία μπαταριών μπορεί να προκαλέσει ερεθισμό ή εγκαύματα.
- **Μην χρησιμοποιείτε τη συστοιχία μπαταριών ή τη μηχανή εάν έχουν υποστεί ζημιά ή έχουν τροποποιηθεί.** Οι συστοιχίες μπαταριών που έχουν υποστεί ζημιά ή έχουν τροποποιηθεί μπορεί να έχουν απρόβλεπτη συμπεριφορά και να προκαλέσουν πυρκαγιά, έκρηξη ή τραυματισμό.
- **Μην εκθέτετε τη συστοιχία μπαταριών ή τη μηχανή σε φωτιά ή υπερβολικά υψηλές θερμοκρασίες.** Η έκθεση σε φωτιά ή θερμοκρασία πάνω από 130 °C μπορεί να προκαλέσει έκρηξη.
- **Τηρείτε όλες τις οδηγίες φόρτισης και μη φορτίζετε τη συστοιχία μπαταριών ή τη μηχανή εκτός του εύρους θερμοκρασίας που καθορίζεται στις οδηγίες.** Εάν η φόρτιση δε γίνει σωστά ή πραγματοποιηθεί σε θερμοκρασία εκτός του καθορισμένου εύρους, η συστοιχία μπαταριών μπορεί να υποστεί ζημιά και να αυξηθεί ο κίνδυνος πυρκαγιάς.

## Σέρβις

- Το σέρβις της μηχανής σας πρέπει να γίνεται από εξειδικευμένο τεχνικό, χρησιμοποιώντας μόνο όμοια ανταλλακτικά. Αυτό θα διασφαλίσει τη διατήρηση της ασφάλειας του μηχανήματος.
- Μην επιχειρήσετε ποτέ να επισκευάσετε συστοιχία μπαταριών που έχει υποστεί ζημιά. Η συστοιχία μπαταριών πρέπει να επισκευάζεται μόνο από τον κατασκευαστή ή από εξουσιοδοτημένα κέντρα σέρβις.

## ΠΡΟΕΙΔΟΠΟΙΗΣΕΙΣ ΑΣΦΑΛΕΙΑΣ ΓΙΑ ΤΗΝ ΑΡΙΔΑ ΠΑΓΟΥ

- Αντικαθιστάτε τις αρίδες εάν έχουν ρωγμές, εάν έχουν λυγίσει ή χαλάσει με οποιοδήποτε τρόπο. Η λειτουργία του μηχανήματος με κατεστραμμένη αρίδα μπορεί να επιφέρει σοβαρό τραυματισμό.
- Ποτέ μη χρησιμοποιείτε την αρίδα με τις λαβές πάνω από το επίπεδο της μέσης. Έτσι περιορίζεται ο έλεγχος της αρίδας και μπορεί να αυξηθεί ο κίνδυνος τραυματισμού.
- Κρατάτε το μηχανήμα και με τα δύο χέρια στις αντίστοιχες λαβές. Η απώλεια ελέγχου μπορεί να οδηγήσει σε τραυματισμούς.
- Κρατάτε το μηχανήμα από τις μονωμένες επιφάνειες λαβών κατά τη διεξαγωγή μιας λειτουργίας στην οποία το αξεσουάρ σκαψίματος μπορεί να έρθει σε επαφή με κρυφές καλωδιώσεις. Ένα αξεσουάρ σκαψίματος που έρχεται σε επαφή με ένα «ρευματοφόρο» καλώδιο μπορεί να θέσει υπό τάση τα μεταλλικά μέρη του μηχανήματος και να προκαλέσει ηλεκτροπληξία στον χειριστή.
- Για να μειώσετε τον κίνδυνο ηλεκτροπληξίας, μη χρησιμοποιείτε ποτέ την αρίδα κοντά σε θαμμένα ηλεκτρικά καλώδια ρεύματος. Η επαφή με ή η χρήση κοντά σε θαμμένα καλώδια ηλεκτρικού ρεύματος μπορεί να προκαλέσει σοβαρό τραυματισμό ή ηλεκτροπληξία με αποτέλεσμα θάνατο.
- Ξεκινάτε πάντα το μηχανήμα σε χαμηλή ταχύτητα και με την ακμή μύτης αρίδας σε επαφή με το έδαφος. Σε υψηλότερες ταχύτητες, η μύτη μπορεί να καμφθεί εάν περιστρέφεται ελεύθερα χωρίς επαφή με το έδαφος, με αποτέλεσμα ατομικό τραυματισμό.
- Ασκείτε πίεση μόνο στην ίδια ευθεία με τη μύτη και να μην ασκείτε υπερβολικά μεγάλη πίεση. Η μύτη μπορεί να λυγίσει και να προκαλέσει θραύση ή απώλεια ελέγχου, με συνέπεια τραυματισμό.
- Να είστε πάντα σίγουροι ότι στέκεστε σταθερά. Βεβαιωθείτε ότι δεν υπάρχει κανένας από κάτω όταν χρησιμοποιείτε το μηχανήμα σε τοποθεσίες ψηλά.

- Κρατάτε το μηχανήμα σταθερά.
- Κρατάτε τα χέρια μακριά από περιστρεφόμενα μέρη.
- Μην φεύγετε αφήνοντας το μηχανήμα σε λειτουργία. Θέτετε σε λειτουργία το μηχανήμα μόνο όταν το κρατάτε στο χέρι.
- Μην αγγίζετε τη μύτη αρίδας αμέσως μετά τη λειτουργία. Μπορεί να είναι πολύ καυτή και να προκληθεί δερματικό έγκαυμα.
- Εάν κάτι δεν πάει καλά με το μηχανήμα, όπως μη φυσιολογικοί θόρυβοι, σταματήστε αμέσως τη λειτουργία και επικοινωνήστε με το τοπικό κέντρο σέρβις για επισκευή.
- Για να μειώσετε τον κίνδυνο έκρηξης, μην χρησιμοποιείτε ποτέ την αρίδα κοντά σε θαμμένους αγωγούς αερίου, συμπεριλαμβανομένων των αγωγών νερού και των σωληνώσεων. Η επαφή ή η χρήση κοντά σε θαμμένους αγωγούς νερού ή αερίου μπορεί να επιφέρει ρήξη των αγωγών νερού και έκρηξη αγωγών αερίου, με αποτέλεσμα σοβαρό τραυματισμό ή θάνατο.
- Ποτέ μη θέτετε σε λειτουργία σε υψηλότερη ταχύτητα από την μέγιστη τιμή ταχύτητας της μύτης αρίδας. Σε υψηλότερες ταχύτητες, η μύτη μπορεί να λυγίσει εάν περιστραφεί ελεύθερα χωρίς να βρίσκεται σε επαφή με το τεμάχιο επεξεργασίας, προκαλώντας τραυματισμό.
- Τα μηχανήματα που λειτουργούν με μπαταρία δεν πρέπει να συνδέονται σε πρίζα ρεύματος. Συνεπώς πάντα βρίσκονται σε κατάσταση λειτουργίας. Λαμβάνετε υπόψη τους πιθανούς κινδύνους ακόμα και όταν το μηχανήμα δεν λειτουργεί. Προσέχετε όταν πραγματοποιείτε συντήρηση ή σέρβις.
- Να μην πλένεται με λάστιχο. Αποφεύγετε την εισχώρηση νερού στον κινητήρα και τις ηλεκτρικές συνδέσεις.
- Οι λεπίδες για τον πάγο είναι πολύ κοφτερές. Να είστε ιδιαίτερα προσεκτικοί κατά την διάνοιξη οπών ή την αντικατάσταση λεπίδων. Μετά από κάθε χρήση τοποθετείτε το προστατευτικό λεπίδας.
- Ελέγχετε συχνά και βεβαιωθείτε ότι η βίδα ασφάλισης έχει ασφαλιστεί στην σωστή θέση.
- Χρησιμοποιήστε μόνο με τις καθορισμένες συστοιχίες μπαταριών και τους φορτιστές.

Φυλάξτε αυτές τις οδηγίες. Ανατρέχετε σε αυτές συχνά και χρησιμοποιήστε τις για να καθοδηγήσετε άλλους που ενδέχεται να χρησιμοποιήσουν αυτό το μηχανήμα. Εάν δανείσετε σε κάποιον αυτήν τη μηχανή, δανείστε και αυτές τις οδηγίες, ώστε να αποτρέψετε τη λανθασμένη χρήση του προϊόντος και ενδεχόμενους τραυματισμούς.

GR

## ΤΕΧΝΙΚΕΣ ΠΡΟΔΙΑΓΡΑΦΕΣ

Διάμετρος μύτης αρίδας/ οπής	200 mm	
Μέγιστο βάθος διάτρησης	990 mm	
Βάρος (χωρίς συστοιχία μπαταριών)	3,7 kg	
Συνιστώμενη θερμοκρασία λειτουργίας	- 20°C - 40°C	
Συνιστώμενη θερμοκρασία αποθήκευσης	- 40°C - 70°C	
Στάθμη ηχητικής ισχύος $L_{WA}$	97,6 dB(A) K=3 dB(A)	
Στάθμη ηχητικής πίεσης $L_{pA}$	89,6 dB(A) K=3 dB(A)	
Κραδασμοί $a_h$	Δεξιά χειρολαβή	2,52 m/s <sup>2</sup> K=1,5 m/s <sup>2</sup>
	Αριστερή χειρολαβή	2,45 m/s <sup>2</sup> K=1,5 m/s <sup>2</sup>

- Η δηλωθείσα συνολική τιμή κραδασμών έχει μετρηθεί σύμφωνα με πρότυπη μέθοδο δοκιμής και μπορεί να χρησιμοποιηθεί για τη σύγκριση ενός μηχανήματος με άλλο.
- Η δηλωθείσα συνολική τιμή κραδασμών μπορεί να χρησιμοποιηθεί, επίσης, σε προκαταρκτική αξιολόγηση έκθεσης.

**ΣΗΜΕΙΩΣΗ:** Η μετάδοση της δόνησης κατά τη διάρκεια της πραγματικής χρήσης του μηχανήματος μπορεί να διαφέρει από τη δηλωθείσα τιμή, στην οποία χρησιμοποιείται το μηχάνημα. Για την προστασία του χειριστή, υπό πραγματικές συνθήκες χρήσης πρέπει να χρησιμοποιούνται γάντια και ωτοασπίδες.

GR

## ΣΥΝΙΣΤΩΜΕΝΑ ΠΑΡΕΛΚΟΜΕΝΑ

**⚠ ΠΡΟΕΙΔΟΠΟΙΗΣΗ:** Χρησιμοποιήστε μόνο τα αξεσουάρ που αναφέρονται παρακάτω. Η χρήση αξεσουάρ που δεν ανταποκρίνονται στις αρχικές τεχνικές προδιαγραφές του εξοπλισμού μπορεί να οδηγήσει σε μειωμένη απόδοση και να θέσει σε κίνδυνο την ασφάλεια.

ΟΝΟΜΑ ΕΞΑΡΤΗΜΑΤΟΣ	ΑΡΙΘΜΟΣ ΜΟΝΤΕΛΟΥ
Λεπίδα μύτης αρίδας πάγου	AB08001

## ΚΑΤΑΛΟΓΟΣ ΕΞΑΡΤΗΜΑΤΩΝ ΣΥΣΚΕΥΑΣΙΑΣ (ΕΙΚ. Α)

### ΠΕΡΙΓΡΑΦΗ

#### ΓΝΩΡΙΣΤΕ ΤΗ ΜΥΤΗ ΑΡΙΔΑΣ ΠΑΓΟΥ (Εικ. Α)

1. Μύτη αρίδας πάγου
2. Βίδα ασφάλισης
3. Προστατευτικό λεπίδας
4. Λεπίδα πάγου
5. Κλειδί Άλεν (6 mm)

### ΣΥΝΑΡΜΟΛΟΓΗΣΗ

#### ΤΟΠΟΘΕΤΗΣΗ ΤΗΣ ΜΥΤΗΣ ΑΡΙΔΑΣ ΠΑΓΟΥ

**⚠ ΠΡΟΕΙΔΟΠΟΙΗΣΗ:** Η μύτη αρίδας είναι πολύ αιχμηρή. Για την πρόληψη ατομικού τραυματισμού, να είστε εξαιρετικά προσεκτικοί όταν καθαρίζετε, εγκαθιστάτε ή απομακρύνετε την μύτη αρίδας. Πάντα να φοράτε προστατευτικά γάντια κατά τη διεξαγωγή συντήρησης στην μύτη αρίδας.

- 1 Χαλαρώστε και αφαιρέστε τη βίδα ασφάλισης από τη μύτη αρίδας πάγου.
- 2 Τοποθετήστε το επάνω άκρο της μύτης αρίδας επάνω στον άξονα οδηγού της κεφαλής ισχύος (Εικ. Β1).
- 3 Ευθυγραμμίστε τις οπές σύνδεσης στη μύτη αρίδας και στον άξονα οδηγού.
- 4 Χρησιμοποιήστε τη βίδα ασφάλισης για να ασφαλίσετε τη μύτη αρίδας στον άξονα οδηγού. Χρησιμοποιήστε το παρεχόμενο κλειδί Άλεν 6 mm για να σφίξετε καλά τη βίδα ασφάλισης (Εικ. Β2).

B1-1	Άξονας οδηγού	B1-2	Άνω άκρο της μύτης αρίδας πάγου
B2-1	Άξονας οδηγού	B2-2	Βίδα ασφάλισης
B2-3	Επίπεδη πλευρά		

**ΣΗΜΕΙΩΣΗ:** Βεβαιωθείτε ότι η βίδα ασφάλισης έχει εισαχθεί στις οπές σύνδεσης από την επίπεδη πλευρά της οπής μύτης αρίδας.

## ΛΕΙΤΟΥΡΓΙΑ

### ΕΦΑΡΜΟΓΗ

Μπορείτε να χρησιμοποιήσετε αυτό το προϊόν για τους ακόλουθους σκοπούς:

- Διάνοιξη οπών στον πάγο με τη χρήση της μύτες αρίδας πάγου.

### ΕΝΕΡΓΟΠΟΙΗΣΗ/ΣΤΑΜΑΤΗΜΑ ΤΗΣ ΑΡΙΔΑΣ ΠΑΓΟΥ

Δείτε το απόσπασμα «ΕΝΕΡΓΟΠΟΙΗΣΗ/

ΑΠΕΝΕΡΓΟΠΟΙΗΣΗ ΤΗΣ ΚΕΦΑΛΗΣ ΙΣΧΥΟΣ» στο εγχειρίδιο χρήσης της κεφαλής ισχύος PNA7400E.

**ΣΗΜΕΙΩΣΗ:** Φοράτε προστατευτικά γάντια και απομακρύνετε το προστατευτικό λεπίδας πάγου πριν εκκινήσετε το προϊόν.

### ΕΡΓΑΣΙΑ ΜΕ ΤΗΝ ΑΡΙΔΑ ΠΑΓΟΥ

#### ⚠ ΠΡΟΕΙΔΟΠΟΙΗΣΗ:

- Επικοινωνήστε με την τοπική υπηρεσία για τη σήμανση υπόγειων εξοπλισμών πριν χρησιμοποιήσετε το μηχάνημα προς αποφυγή επαφής με υπόγειους εξοπλισμούς
- Μη χρησιμοποιείτε την αρίδα πάγου για διαφορετικές εργασίες από τις προοριζόμενες.
- Χρησιμοποιείτε την αρίδα πάγου μόνο για διάτρηση οπών σε πάγο.
- Αποφύγετε το σκάψιμο σε υλικό όπου υποψιάζεστε ότι υπάρχουν κρυφά καρφιά ή άλλα αντικείμενα τα οποία μπορούν να προκαλέσουν κάμψη ή θραύση της μύτες αρίδας.
- Παραμένετε σε εγρήγορση αναφορικά με την ισχύ αντίδρασης ροπής του μηχανήματος. Διατηρείτε πάντα τη θέση λειτουργίας στην οποία αντέχετε την ισχύ αντίδρασης ροπής.
- Να είστε ιδιαίτερα προσεκτικοί όταν εργάζεστε σε κεκλιμένες επιφάνειες ή ανώμαλα εδάφη.

**ΣΗΜΕΙΩΣΗ:** Πριν από τη λειτουργία βεβαιώστε ότι δεν υπάρχουν ξένα αντικείμενα (άμμος, ρύποι κ.λπ.) μαγκαμμένα στα ανοίγματα ή σε κινούμενα μέρη.

- Βεβαιώστε ότι στέκεστε σταθερά στην επιφάνεια εργασίας και οι λαβές βρίσκονται κοντά στη μέση. Κρατάτε σταθερά τη δεξιά λαβή με το δεξί σας χέρι και την αριστερή λαβή με το αριστερό σας χέρι (Εικ. C1)

C1-1	Δεξιά λαβή	C1-2	Αριστερή λαβή
------	------------	------	---------------

**⚠ ΠΡΟΕΙΔΟΠΟΙΗΣΗ:** Ποτέ μην κρατάτε τη δεξιά λαβή με το αριστερό σας χέρι και την αριστερή λαβή με το δεξί σας χέρι. Ακατάλληλες θέσεις των χεριών μπορούν να επιφέρουν σοβαρό τραυματισμό (Εικ. C2).

**⚠ ΠΡΟΕΙΔΟΠΟΙΗΣΗ:** Αποφύγετε ακατάλληλη τοποθέτηση (Εικ. C3). Μην στέκεστε πολύ μακριά από το μηχάνημα. Η σωστή αντίδραση και ο έλεγχος ενδέχεται να μην επιτευχθούν σε περίπτωση λακτίσματος.

- Κρατήστε τη μύτη αρίδας μακριά από το σώμα σας και έτσι ώστε να βλέπει προς τα κάτω σε μια γωνία 90° προς την επιφάνεια.
- Ρυθμίστε την κατεύθυνση περιστροφής και την ταχύτητα περιστροφής.
- Σηκώστε το μηχάνημα πάνω από την επιφάνεια. Πατήστε παρατεταμένα το κουμπί κλειδώματος και πιέστε τη σκανδάλη του διακόπτη.

**⚠ ΠΡΟΕΙΔΟΠΟΙΗΣΗ:** Μην αγγίζετε το μύτη αρίδας όταν το προϊόν είναι ενεργοποιημένο.

- Επιτρέψτε η αρίδα να φτάσει σε πλήρη ταχύτητα.
- Χαμηλώστε τη μύτη αρίδας μέσα στην επιφάνεια διατηρώντας μια γωνία 90° (Εικ. C4). Επιτρέψτε η μύτη αρίδας να εισέλθει μέσα στο υλικό έτσι ώστε το μηχάνημα να κάνει την εργασία του.
- Καθώς η μύτη αρίδας αρχίζει να γεμίζει με υπολείμματα, είναι σημαντικό να την καθαρίζετε συνεχώς ώστε η κοπή να είναι καθαρή και να μειώνεται η απαιτούμενη προσπάθεια. Ενώ η αρίδα λειτουργεί σε πλήρη ταχύτητα, σηκώστε την αργά από την οπή και επιτρέψτε τα υπολείμματα να απομακρυνθούν από τη μύτη αρίδας.
- Αφότου χρησιμοποιήσετε αυτό το μηχάνημα, απελευθερώστε την διακόπτη με σκανδάλη και επιτρέψτε η αρίδα να σταματήσει εντελώς.
- Όταν αφήνετε το μηχάνημα, όπως κατά τη διάρκεια ενός διαλείμματος, μην το αφήνετε μέσα στον πάγο ή ακουμπισμένο σε τοίχο. Τοποθετήστε το προστατευτικό λεπίδας στη μύτη αρίδας πάγου και αποθηκεύστε το μηχάνημα σε σταθερή θέση.

### ΣΥΜΒΟΥΛΕΣ ΓΙΑ ΤΗ ΧΡΗΣΗ ΤΗΣ ΑΡΙΔΑΣ ΠΑΓΟΥ

- Υπερβολική πίεση στο μηχάνημα δεν επιταχύνει το σκάψιμο. Η υπερβολική πίεση μόνο ζημιά προκαλεί στην ακμή της μύτες αρίδας, μειώνει την απόδοση μηχανήματος και συντομεύει τη διάρκεια ζωής του μηχανήματος.
- Όταν πραγματοποιείτε βαθιά οπή ή διάτρηση σε αργιλώδες έδαφος, μην προσπαθείτε να σκάψετε με μια κίνηση. Σκάψτε την οπή ανυψώνοντας και χαμηλώνοντας το μηχάνημα έτσι ώστε να μπορεί να αποφορτιστεί το μαλακωμένο χώμα στην οπή.
- Εάν η ταχύτητα περιστροφής του μηχανήματος επιβραδυνθεί σε λειτουργία υψηλού φορτίου, σηκώστε λίγο το μηχάνημα και μετακινήστε το επάνω και κάτω για διάτρηση σε μικρά βήματα.

GR

- Μια μαγκωμένη μύτη αρίδας μπορεί να αφαιρεθεί απλά ρυθμίζοντας την αρίδα σε αντίστροφη περιστροφή ώστε να διεξαχθεί υπαναχώρηση. Κατά την όπισθεν, στηρίξτε το μηχάνημα με το σώμα σας ώστε να εμποδίσετε δεξιάστροφη αντίδραση.
- Πριν από την εργασία με μια μύτη αρίδας πάγου σε παγωμένες λιμνούλες, λίμνες ή ρυάκια, επικοινωνήστε με τις τοπικές αρχές και λάβετε τα απαραίτητα προληπτικά μέτρα για τη διασφάλιση του ασφαλούς πάχους πάγου.
- Όταν βγάξετε τη μύτη αρίδας πάγου έξω από την οπή, σηκώστε το μηχάνημα κάθετα έτσι ώστε η μύτη να βγει έξω ίσια χωρίς κλίση. Για να ελαχιστοποιήσετε το πισίλισμα κατά τη διάνοιξη οπών στον πάγο, απελευθερώστε αμέσως τον διακόπτη με σκανδάλη όταν η μύτη αρίδας πάγου σπάσει τον πάγο. Σηκώστε το μηχάνημα αργά. Καλύψτε και επιστημάνετε με σαφήνεια τις διατρημένες οπές ώστε να μην εισέλθει/πατήσει κάποιος σε μια οπή.

## ΣΥΝΤΗΡΗΣΗ

**⚠ ΠΡΟΕΙΔΟΠΟΙΗΣΗ:** Προκειμένου να αποφευχθεί σοβαρός τραυματισμός, απασυνδέστε τη συστοιχία μπαταριών από το προϊόν πριν από τη συντήρηση, τον καθαρισμό, την αλλαγή προσαρτημάτων ή την αφαίρεση υλικού από τη μονάδα.

### ΓΕΝΙΚΗ ΣΥΝΤΗΡΗΣΗ

Αποφύγετε τη χρήση διαλυτών κατά τον καθαρισμό των πλαστικών εξαρτημάτων. Τα περισσότερα πλαστικά είναι ευπαθή στη χρήση διαφόρων τύπων διαλυτών του εμπορίου και καταστρέφονται από τη χρήση τους. Χρησιμοποιήστε ένα καθαρό πανί για την απομάκρυνση βρωμιάς, σκόνης, λαδιού, γράσου, κτλ.

**⚠ ΠΡΟΕΙΔΟΠΟΙΗΣΗ:** Μην επιτρέψετε ποτέ να έρθουν σε επαφή τα πλαστικά εξαρτήματα με υγρά φρένων, βενζίνη, πετρελαϊκά προϊόντα, διεισδυτικά λάδια, κτλ. Τα χημικά μπορούν να φθείρουν, να αποδυναμώσουν ή να καταστρέψουν τα πλαστικά εξαρτήματα με κίνδυνο σοβαρού τραυματισμού.

### ΑΝΤΙΚΑΤΑΣΤΑΣΗ ΤΩΝ ΛΕΠΙΔΩΝ ΠΑΓΟΥ

Εάν η αρίδα πάγου αναπηδάει στον πάγο ή κόβει αργά μέσα από τον πάγο κατά τη διάτρηση οπών, ενδέχεται να πρέπει να αντικατασταθούν οι λεπίδες.

Απαιτούμενα εργαλεία: Κλειδί Άλεν 6 mm (παρέχεται), κλειδί Άλεν 3 mm (δεν παρέχεται)

1. Αφαιρέστε τη συστοιχία μπαταριών από την αρίδα και αφαιρέστε τη μύτη αρίδας πάγου από τον άξονα οδηγού της κεφαλής ισχύος χρησιμοποιώντας το

κλειδί Άλεν 6 mm για να λασκάρετε και αφαιρέσετε τη βίδα ασφάλισης.

2. Φορέστε προστατευτικά γάντια και αφαιρέστε το προστατευτικό της λεπίδας πάγου (Εικ. D1).
3. Χρησιμοποιώντας το κλειδί Άλεν 3 mm, χαλαρώστε και αφαιρέστε τις βίδες και τις λεπίδες πάγου από τη μύτη αρίδας πάγου (Εικ. D2).
4. Αντικαταστήστε με νέες λεπίδες και σφίξτε τις καλά.
5. Τοποθετήστε το προστατευτικό της λεπίδας.

D1-1	Προστατευτικό λεπίδας	D1-2	Λεπίδες πάγου
D2-1	Βίδα	D2-2	Λεπίδα πάγου

### ΑΠΟΘΗΚΕΥΣΗ ΤΗΣ ΜΥΤΗΣ ΑΡΙΔΑΣ ΠΑΓΟΥ

1. Αφαιρέστε τη συστοιχία μπαταριών.
2. Αφαιρέστε το μύτη αρίδας από τον άξονα οδηγού της κεφαλής ισχύος.
3. Καθαρίστε σχολαστικά τη μύτη αρίδας προτού την αποθηκεύσετε.
4. Τοποθετήστε το προστατευτικό λεπίδας στη μύτη αρίδας πάγου.
5. Αποθηκεύετε τη μύτη αρίδας σε ξηρό, καλά αεριζόμενο χώρο, ασφαλισμένη ή σε σημείο ψηλά, μακριά από παιδιά. Μην αποθηκεύετε τη μύτη αρίδας επάνω ή δίπλα σε λιπάσματα, βενζίνη ή άλλες χημικές ουσίες.

### Προστασία του περιβάλλοντος



Μην απορρίπτετε ηλεκτρικό εξοπλισμό, παλιές μπαταρίες και φορτιστές στα οικιακά απορρίμματα! Μεταφέρετε αυτό το προϊόν σε εξουσιοδοτημένο κέντρο ανακύκλωσης και παραδώστε το για ξεχωριστή συλλογή. Τα ηλεκτρικά εργαλεία πρέπει να επιστρέφονται σε περιβαλλοντικά συμβατή μονάδα ανακύκλωσης.

GR

## ΑΝΤΙΜΕΤΩΠΙΣΗ ΠΡΟΒΛΗΜΑΤΩΝ

ΠΡΟΒΛΗΜΑ	ΑΙΤΙΑ	ΑΝΤΙΜΕΤΩΠΙΣΗ
Το μηχάνημα δεν ξεκινάει ή σταματάει απρόσμενα.	<ul style="list-style-type: none"> <li>Χαμηλή χωρητικότητα της συστοιχίας μπαταριών.</li> <li>Η συστοιχία μπαταριών έχει υπερθερμανθεί ή είναι πολύ κρύα.</li> <li>Το καλώδιο της δεξιάς λαβής δεν έχει συνδεθεί με το καλώδιο κεφαλής ισχύος σωστά.</li> </ul>	<ul style="list-style-type: none"> <li>Φορτίστε τη συστοιχία μπαταριών.</li> <li>Περιμένετε να κρυώσει ή να ζεσταθεί η συστοιχία μπαταριών. Τότε μπορεί να επανεκκινηθεί η αρίδα.</li> <li>Συνδέστε τα καλώδια της δεξιάς λαβής και της κεφαλής ισχύος ακολουθώντας τα περιγραφόμενα στο απόσπασμα «<b>ΤΟΠΟΘΕΤΗΣΗ ΤΩΝ ΛΑΒΩΝ</b>» στο εγχειρίδιο οδηγιών της κεφαλής ισχύος PHA7400E.</li> </ul>
Κατά τη διάρκεια της λειτουργίας δημιουργείται πολύς θόρυβος ή/και δονήσεις.	<ul style="list-style-type: none"> <li>Μερικά εξαρτήματα είναι χαλαρά.</li> </ul>	<ul style="list-style-type: none"> <li>Σταματήστε την αρίδα, αφαιρέστε τη συστοιχία μπαταριών, ελέγξτε και σφίξτε τα χαλαρά εξαρτήματα.</li> </ul>
Ο κινητήρας λειτουργεί αλλά η μύτη αρίδας παραμένει σταθερή.	<ul style="list-style-type: none"> <li>Μύτη αρίδας χαλαρή.</li> </ul>	<ul style="list-style-type: none"> <li>Επανεγκαταστήστε τη μύτη αρίδας ακολουθώντας τα αναφερόμενα βήματα στο απόσπασμα «<b>ΤΟΠΟΘΕΤΗΣΗ ΤΗΣ ΜΥΤΗΣ ΑΡΙΔΑΣ ΠΑΓΟΥ</b>» στο παρόν εγχειρίδιο.</li> </ul>
Η αρίδα πάγου αναπηδάει στον πάγο ή κόβει αργά μέσα από τον πάγο.	<ul style="list-style-type: none"> <li>Οι λεπίδες είναι στομωμένες ή καεστραμμένες.</li> </ul>	<ul style="list-style-type: none"> <li>Αντικαταστήστε με νέες λεπίδες σύμφωνα με το απόσπασμα «<b>ΑΝΤΙΚΑΤΑΣΤΑΣΗ ΤΩΝ ΛΕΠΙΔΩΝ ΠΑΓΟΥ</b>» στο παρόν εγχειρίδιο.</li> </ul>
Η κατεύθυνση ή η ταχύτητα περιστροφής της αρίδας δεν αλλάζει μετά την πίεση του επιλογέα κατεύθυνσης/ταχύτητας περιστροφής.	<ul style="list-style-type: none"> <li>Η αλλαγή κατεύθυνσης περιστροφής μεταξύ κίνησης προς τα εμπρός και πίσω είναι πιθανή μόνο όταν η αρίδα έχει σταματήσει.</li> <li>Λοιπές μη προσδιορισμένες αιτίες.</li> </ul>	<ul style="list-style-type: none"> <li>Σταματήστε τελείως την αρίδα, πιέστε τον επιλογέα κατεύθυνσης/ταχύτητας περιστροφής στην επιθυμητή θέση περιστροφής και κατόπιν επανεκκινήστε την αρίδα.</li> <li>Επικοινωνήστε με το σέρβις της EGO για επισκευή.</li> </ul>

GR

## ΕΓΓΥΗΣΗ

### ΠΟΛΙΤΙΚΗ ΕΓΓΥΗΣΗΣ EGO

Επισκεφθείτε την ιστοσελίδα [egopowerplus.eu](http://egopowerplus.eu) για όλους τους όρους και τις προϋποθέσεις της πολιτικής εγγύησης EGO.

**TÜM TALİMATLARI OKUYUN!****KULLANIM KILAVUZUNU OKUYUN**

**⚠ UYARI:** Emniyet ve güvenilirliği sağlamak için tüm tamir işleri yetkili bir servis teknisyeni tarafından yapılmalıdır.

**GÜVENLİK SEMBOLÜ**

Güvenlik sembollerinin amacı olası tehlikelere dikkatinizi çekmektir. Güvenlik sembolleri ve yanlarındaki açıklamalar özel dikkat ve anlayış göstermenizi gerektirir. Uyarı sembolleri kendi başlarına herhangi bir tehlikeyi gidermez. Sembollerde belirtilen talimatlar ve uyarılar uygun kaza önleme tedbirlerinin yerine geçmez.

**⚠ UYARI:** Bu aleti kullanmadan önce **"TEHLİKE"**, **"UYARI"** ve **"DİKKAT"** gibi tüm güvenlik uyarı ve sembollerini içeren bu Kullanım Kılavuzundaki tüm güvenlik talimatlarını okuyup anladığınızdan emin olun. Aşağıdaki talimatların tamamına uyulmaması elektrik çarpması, yangın ve/veya ciddi fiziksel yaralanma ile sonuçlanabilir.

**GÜVENLİK TALİMATLARI**

Bu sayfada, bu ürün üzerinde görülebilecek güvenlik sembolleri gösterilmekte ve açıklanmaktadır. Makineyi monte etmeye ve kullanmaya başlamadan önce, makineye ilişkin tüm talimatları okuyup anlayın ve bu talimatlara uyun.



Güvenlik Uyarısı



Yaralanma riskini azaltmak için kullanıcı, kullanma kılavuzunu mutlaka okumalıdır.



Koruyucu Gözlük Takın



Kulak Koruması Takın



Atık elektrikli ürünler, evsel atıklar ile birlikte bertaraf edilmemelidir. Yetkili bir geri dönüşüm merkezine teslim edilmelidir.



Bu ürün, yürürlükteki AB yönetmeliklerine uygundur.



Doğru Akım



Bu ürün, yürürlükteki Birleşik Krallık yasalarına uygundur.

V Voltaj

kg Kilogram

°C Santigrat

mm Milimetre

/min Dakikada devir sayısı

IPX4 Sıçrayan suya karşı koruma

**TR**

## MAKİNE İÇİN GENEL GÜVENLİK UYARILARI

**⚠ UYARI:** Bu makine ile birlikte verilen tüm güvenlik uyarılarını, talimatları, resimli açıklamaları ve teknik özellikleri okuyun. Aşağıdaki talimatların tamamına uyulmaması elektrik çarpması, yangın ve/veya ciddi yaralanma ile sonuçlanabilir.

Tüm uyarı ve talimatları gelecekte başvuru amacıyla muhafaza edin.

### Çalışma Alanı Güvenliği

- Çalışma alanını temiz tutun ve yeterli aydınlatma sağlayın. Karışık veya karanlık alanlar kazalara yol açar.
- Makineleri yanıcı sıvılar, benzin veya toz gibi maddelerin bulunduğu patlayıcı ortamlarda çalıştırmayın. Makineler, tozları veya dumanları tutuşturabilecek kıvılcımlar oluşturur.
- Bir makineyi kullanırken çocukların ve etraftaki kişilerin makineden uzakta olduğundan emin olun. Dikkatinizin dağılması kontrolü kaybetmenize neden olabilir.

### Elektrik Güvenliği

- Makine fişleri prize uygun olmalıdır. Fiş üzerinde asla değişiklik yapmayın. Topraklı (topraklamalı) makineler için herhangi bir adaptör fişi kullanmayın. Üzerinde değişiklik yapılmamış fişler ve uygun prizler elektrik çarpması riskini azaltır.
- Boru, radyatör, fırınlı ocak ve buzdolabı gibi topraklanmış yüzeylerle temastan kaçınınız. Topraklanmış yerlerle temas etmeniz halinde elektrik çarpması riski artar.
- Makineleri yağmura veya ıslak koşullara maruz bırakmayın. Makineye giren su elektrik çarpması riskini artırır.
- Kabloyu hatalı kullanmayın. Kabloyu asla makineyi taşımak, çekmek veya fişi prizden çıkarmak için kullanmayın. Kabloyu sıcaktan, yağdan, keskin kenarlardan veya hareketli parçalardan uzak tutun. Hasarlı veya birbirine dolaşmış kablolar elektrik çarpması riskini artırır.
- Bir makineyi açık havada kullanırken, uygun bir dış mekan uzatma kablosu kullanın. Dış mekan için uygun bir kablunun kullanılması elektrik çarpması riskini azaltır.
- Makinenin rutubetli bir ortamda kullanılması gerekirse kaçak akım rölesi bulunan bir şebeke kullanın. GFCI kullanmak elektrik çarpması riskini azaltır.

### Kişisel Güvenlik

- Makineyi kullanırken daima dikkatli olun, yaptığınız işe yoğunlaşın ve sağduyulu davranın. Makineyi yorgunken ya da uyuşturucu, alkol ya da ilaç etkisi altındayken kullanmayın. Makineleri kullanırken bir anlık dikkatsizlik ciddi kişisel yaralanmayla sonuçlanabilir.
- Kişisel koruyucu ekipman kullanın. Daima koruyucu gözlük takın. Koşullara uygun toz maskesi, kaymaz emniyet ayakkabıları, kask veya işitme koruması gibi koruyucu ekipman kullanılması yaralanmaları azaltır.
- Yanlışlıkla çalıştırmaktan kaçının. Makinenin güç kaynağı ve/veya akü/batarya takımı ile bağlantısını yapmadan, kaldırmadan veya taşımadan önce açma/kapatma düğmesinin kapalı olduğundan emin olun. Parmağınız açma/kapatma düğmesinin üzerindeyken veya çalışır haldeyken makineleri taşımak kazalara davetiye çıkarır.
- Makineye takılı herhangi bir alyan veya anahtar varsa makineyi çalıştırmadan önce bunları çıkarın. Makinenin döner parçalarına takılı bir alyan veya anahtar yaralanmalara neden olabilir.
- Dengesiz bir duruşla çalışma yapmayın. Çalışma süresince ayaklarınızı sağlam basın ve dengeyi koruyun. Bu sayede beklenmedik durumlarda makine daha iyi kontrol edilebilir.
- Uygun bir şekilde giyinin. Bol giysiler giymeyin veya takı takmayın. Saçlarınızı ve elbiselerinizi hareketli parçalardan uzak tutun. Bol giysiler, takılar veya uzun saçlar hareketli parçalara takılabilir.
- Toz emme ve toplama araçlarının bağlantısı için sağlanan cihazlar varsa bunların takılı olduğundan ve düzgün bir biçimde kullanıldığından emin olun. Toz toplama araçlarının kullanımı tozdan kaynaklanabilecek tehlikeleri azaltabilir.
- Makineleri sık kullanarak edindiğiniz alışkanlık rahat olmanıza ve makinelerin güvenlik ilkelerini göz ardı etmenize neden olmamalıdır. Dikkatsiz bir hareket, bir saniyeden daha kısa bir sürede ağır yaralanmalara neden olabilir.

### Makine Kullanımı ve Bakımı

- Makineyi zorlamayın. Uygulamanız için doğru makineyi kullanın. Doğru makine, tasarımına uygun değerlerde kullanıldığında daha iyi ve daha güvenli çalışır.
- Açma/kapatma düğmesi çalışmıyorsa makineyi kullanmayın. Açma/kapama düğmesi ile kontrol edilemeyen bir makine tehlikelidir ve onarılması gerekir.

- Herhangi bir ayar işlemi, aksesuar değişimi veya makinenin depoya kaldırılması öncesinde fişi prizden çekin ve/veya eğer çıkarılabiliyorsa aküyü makineden çıkarın. Bu tür önleyici güvenlik önlemleri, makinenin yanlışlıkla çalışması riskini azaltır.
- Kullanılmayan makineleri çocukların erişmeyeceği bir yerde saklayın ve makine veya bu talimatlar hakkında bilgi sahibi olmayan kişilerin makineyi çalıştırmasına izin vermeyin. Makineler eğitimsiz kullanıcıların elinde tehlikelidir.
- Makinelerin ve aksesuarların bakımını yapın. Hareketli parçaların kusursuz olarak işlev görüp görmediğini ve sıkışıp sıkışmadığını, parçaların hasarlı olup olmadığını ve makinenin çalışmasını etkileyebilecek tüm diğer koşulları kontrol edin. Hasar görmüşse kullanmadan önce makineyi tamir ettirin. Kazaların çoğu, makine bakımının yeterli şekilde yapılmamasından kaynaklanır.
- Kesici makineleri keskin ve temiz tutun. Keskin kesim kenarlarına sahip, bakımı düzgün yapılmış kesim makineleri daha az sorun çıkarır ve kontrolü kolaydır.
- Makineyi, aksesuarlarını ve makine uçlarını vb. çalışma şartlarını ve yapılacak işi dikkate alarak bu talimatlara uygun şekilde kullanın. Makinenin kullanım amacı dışındaki işlerde kullanılması tehlikeli durumlara neden olabilir.
- Tutma saplarını/kollarını ve kavrama yüzeylerini kuru, temiz, benzin ve yağdan uzak tutun. Kaygan tutma kolları ve kavrama yüzeyleri, makinenin beklenmeyen durumlarda güvenli bir şekilde tutulmasına ve kontrol edilmesine izin vermez.

#### Akü ile Çalışan Makinelerin Kullanımı ve Bakımı

- Sadece üretici tarafından belirtilen şarj cihazı ile şarj edin. Bir akü türü için uygun olan şarj cihazı, başka bir akü ile kullanıldığında yangın riski oluşturabilir.
- Makineleri sadece özel olarak tasarlanan akülerle birlikte kullanın. Başka akü türlerinin kullanımı yaralanma ve yangın tehlikesi oluşturabilir.
- Akü/batarya takımı kullanımda olmadığı durumlarda akü/batarya takımını atış, bozuk para, anahtar, çivi, vida veya akü/batarya kutupları arasında kısa devre yapabilecek diğer metal nesnelere uzak tutun. Akü kutuplarının kısa devre yapılması yangın veya yanıklara neden olabilir.
- Kötu şartlar altında aküden sıvı akışı olabilir; bu sıvı ile temas etmeden kaçın. Yanlışlıkla temas edilirse etkilenen bölgeyi su ile yıkayın. Sıvı göze temas ederse ayrıca tıbbi yardım alın. Aküden akan sıvı tahriş veya yanıklara neden olabilir.
- Hasarlı veya üzerinde değişiklik yapılmış bir akü/

batarya takımını veya makineyi kullanmayın. Hasarlı veya üzerinde değişiklik yapılmış aküler/bataryalar yangın, patlama veya yaralanma riskine neden olacak şekilde beklenmeyen davranışlar gösterebilir.

- Akü/Batarya takımını veya makineyi ateşe veya aşırı sıcaklıklara maruz bırakmayın. Ateşe veya 130 °C'nin üzerindeki sıcaklıklara maruz kalması patlamaya neden olabilir.
- Tüm şarj talimatlarına uyun ve akü takımını veya makineyi talimatlarda belirtilen sıcaklık aralığının dışındaki sıcaklıklarda şarj etmeyin. Hatalı veya belirtilen sıcaklık aralığının dışındaki sıcaklıklarda şarj etmek, aküye/bataryaya zarar verebilir ve yangın riskini artırır.

#### Servis

- Makinenizi sadece orijinal yedek parça kullanan yetkili bir servis personeline tamir ettirin. Bu sayede makinenin güvenliğinin korunması sağlanır.
- Asla hasarlı akülere bakım-onarım yapmayın. Akülerin/bataryaların bakımı sadece üretici veya yetkili servisler tarafından yapılmalıdır.

#### BUZ BURGUSU İÇİN GÜVENLİK UYARILARI

- Çatlamış, bükülmüş veya herhangi bir şekilde hasar görmüşse burguları değiştirin. Makinenin hasarlı bir burgu ile çalıştırılması ciddi yaralanmalara neden olabilir.
- Burguyu asla tutma kolları bel seviyesinin üzerinde olacak şekilde kullanmayın. Aksi takdirde burgunun kontrolü kısıtlanır ve yaralanma riski artabilir.
- Makineyi iki elinizle öngörülen tutma kollarından tutun. Kontrol kaybı yaralanmalara neden olabilir.
- Kazma aksesuarının gizli kablolarla temas edebileceği bir işlem gerçekleştirirken, elektrikli aleti yalıtımlı kavrama yüzeylerinden tutun. "Elektrikli" bir kabloya temas eden kazma aksesuarları, makinenin metal kısımlarını da "elektrikli" yapabilir ve makineyi kullanan kişinin çarpmasına neden olabilir.
- Elektrik çarpması riskini azaltmak için burgu makinesini asla elektrik kablolarının yakınında kullanmayın. Makinenin gömülü elektrik kablolarına temas etmesi veya bunların yakınında kullanılması, ciddi yaralanmalara veya ölüme sonuçlanan elektrik çarpmasına neden olabilir.
- Makineyi her zaman düşük hızda ve burgu ucu yere temas edecek şekilde çalıştırın. Yüksek hızlarda, ucun yere temas etmeden serbestçe dönmeye izin verilirse uç bükülebilir ve bu da yaralanmaya neden olabilir.

- **Sadece matkap ucu ile aynı doğrultuda basınç uygulayın ve aşırı basınç uygulamayın.** Matkap uçları, kırılma veya kontrol kaybına neden olacak şekilde bükülebilir ve yaralanmaya neden olabilir.
- **Her zaman yere sağlam bastığınızdan emin olun.** Makineyi yüksek yerlerde kullanırken aşağıda kimsenin olmadığından emin olun.
- **Makineyi sıkı tutun.**
- **Ellerinizi dönen parçalardan uzak tutun.**
- **Makineyi çalışır durumda bırakmayın. Makineyi sadece elde tutarak çalıştırın.**
- **Makineyi çalıştırdıktan hemen sonra burgu ucuna dokunmayın.** Aşırı sıcak olabilir ve cildinizi yakabilir.
- **Makinede anormal sesler gibi bir sorun varsa derhal çalışmayı bırakın ve onarım için yerel servis merkezinizle iletişime geçin.**
- **Patlama riskini azaltmak için burgu makinesini asla su hatları ve borular dahil gömülü gaz hatlarının yakınında kullanmayın.** Gömülü su veya gaz hatlarına temas edilmesi veya bunların yakınında kullanılması, su hatlarının patlamasına ve gaz hatlarının patlamasına yol açarak ciddi yaralanma veya ölüme neden olabilir.
- **Asla burgu ucunun maksimum hız değerinden daha yüksek hızda çalıştırmayın.** Yüksek hızlarda matkap ucunun iş parçasına temas etmeden serbestçe dönmesine izin verilirse uç bükülebilir ve yaralanmaya neden olabilir.
- **Akü ile çalışan makinelerin elektrik prizine takılmalarına gerek yoktur; bu nedenle daima çalışır durumdadırlar. Makine çalışmıyorken bile olası tehlikelere karşı dikkatli olun.** Bakım veya onarım işlemi yaparken dikkatli olun.
- **Aleti hortumla yıkamayın, motor ve elektrik prizine bağlantılarına su kaçırılmaya dikkat edin.**
- **Buz bıçakları çok keskindir. Bir delik açarken veya bıçakları değiştirirken çok dikkatli olun. Her kullanımdan sonra bıçak koruyucusunu takın.**
- **Kilitleme vidasının yerine sabitlendiğinden emin olun ve sık sık kontrol edin.**
- **Yalnızca belirtilen akü takımları ve şarj cihazlarıyla kullanın.**

**Bu talimatları saklayın.** Talimatlara sık sık müracaat edin ve bu makineyi kullanacak diğer kişileri bilgilendirmek için kullanın. Bu makineyi başka birine ödünç verirsiniz ürünün hatalı kullanılmasını ve olası yaralanmaları önlemek için bu talimatları da ürünle birlikte verin.

## TEKNİK ÖZELLİKLER

Burgu Ucu/Delik Çapı	200 mm	
Maksimum Delme Derinliği	990 mm	
Ağırlık (Akü hariç)	3,7 kg	
Önerilen Çalışma Sıcaklığı	-20°C - 40°C	
Tavsiye Edilen Depolama Sıcaklığı	- 40°C - 70°C	
Ses gücü seviyesi L <sub>WA</sub>	97,6 dB(A) K=3 dB(A)	
Ses basıncı seviyesi L <sub>PA</sub>	89,6 dB(A) K=3 dB(A)	
Titreşim a <sub>n</sub>	Sağ tutma kolu	2,52 m/sn. <sup>2</sup> K=1,5 m/sn. <sup>2</sup>
	Sol tutma kolu	2,45 m/sn. <sup>2</sup> K=1,5 m/sn. <sup>2</sup>

- Beyan edilen toplam titreşim değeri, standart test yöntemine uygun olarak ölçülmüştür ve bir makineyi diğer bir makine ile karşılaştırmak için kullanılabilir.
- Beyan edilen toplam titreşim değeri, maruz kalma seviyesinin ilk değerlendirilmesi için de kullanılabilir.

**DİKKAT:** Makinenin fiili kullanımı sırasında oluşan titreşim emisyonu değeri makinenin kullanım şekline bağlı olarak beyan edilen değerden farklı olabilir. Operatör korunmak için fiili kullanım koşullarında eldiven ve kulak koruması takmalıdır.

## ÖNERİLEN AKSESUARLAR

**⚠ UYARI:** Yalnızca aşağıda listelenen aksesuarları kullanın. Orijinal ekipman özelliklerini karşılamayan aksesuarların kullanılması, ürünün hatalı ve tehlikeli bir şekilde çalışmasına neden olabilir.

PARÇA ADI	MODEL NUMARASI
Buz Burgusu Ucu Bıçağı	AB08001

## AMBALAJ İÇERİĞİ (ŞEK. A)

## AÇIKLAMA

### BUZ BURGUSU UCUNUZU TANIYIN (ŞEK. A)

1. Buz Burgusu Ucu
2. Kilitleme Vidası

TR

3. Bıçak Koryucusu
4. Buz Bıçağı
5. Alyan Anahtarı (6 mm)

## MONTAJ

### BUZ BURGUSU UCUNU TAKMA

**⚠ UYARI:** Burgu ucu çok keskindir. Yaralanmayı önlemek için burgu ucunu temizlerken, takarken veya çıkarırken çok dikkatli olun. Burgu ucu üzerinde bakım yaparken daima koruyucu eldiven giyin.

1. Kilitleme vidasını buz burgusu ucundan gevşetin ve çıkarın.
2. Burgu ucunun üst ucunu güç başlığının tahrik miline monte edin (Şek. B1).
3. Burgu ucu ve tahrik mili üzerindeki bağlantı deliklerini hizalayın.
4. Burgu ucunu tahrik miline sabitlemek için kilitleme vidasını kullanın. Kilitleme vidasını güvenli bir şekilde sıkmak için birlikte verilen 6 mm Alyan anahtarını kullanın (Şek. B2).

B1-1	Tahrik Mili	B1-2	Buz Burgusu Ucunun Üst Ucu
B2-1	Tahrik Mili	B2-2	Kilitleme Vidası
B2-3	Düz Taraf		

**DİKKAT:** Kilitleme vidasının, burgu ucu deliğinin düz tarafından bağlantı deliklerine takıldığından emin olun.

## ÇALIŞTIRMA

### UYGULAMA

Bu ürünü aşağıda belirtilen amaçlar için kullanabilirsiniz:

- Buz burgusu ucunu kullanarak buzda delik açmak.

### BUZ BURGUSUNU ÇALIŞTIRMA/DURDURMA

Güç başlığı PHA7400E'nin kullanım kılavuzundaki "GÜÇ BAŞLIĞINI ÇALIŞTIRMA/DURDURMA" bölümüne bakın.

**DİKKAT:** Ürünü çalıştırmadan önce koruyucu eldiven giyin ve buz bıçağı koruyucusunu çıkarın.

### BUZ BURGUSU İLE ÇALIŞMA

#### ⚠ UYARI:

- Yeraltı tesisleriyle teması önlemek amacıyla makineyi kullanmadan önce yer altı hizmet işaretlemesi için yerel hizmet kuruluşuyla iletişime geçin.

- Buz burgusunu amacı dışında herhangi bir amaç için kullanmayın.
- Buz burgusunu yalnızca buzda delik açmak için kullanın.
- Burgu ucunun sıkışmasına veya kırılmasına neden olabilecek gizli çiviler veya başka şeyler içerdiğinden şüphelendiğiniz malzemeyi kazmaktan kaçının.
- Makinenin tork tepki kuvvetine karşı dikkatli olun. Her zaman tork tepki kuvvetine dayanabileceğiniz çalışma pozisyonunu koruyun.
- Yamaçlarda veya engebeli zeminde çalışırken çok dikkatli olun.

**DİKKAT:** Çalıştırmadan önce açıklıklarda veya hareketli parçalarda herhangi bir yabancı maddenin (kum, kir vb.) sıkışıp kalmadığını kontrol edin.

- a. Ayaklarınızın çalışma yüzeyinin üzerinde sağlam bir şekilde durduğundan ve tutma kollarının bele yakın durduğundan emin olun. Sağ tutma kolunu sağ elinizle, sol tutma kolunu ise sol elinizle sıkıca tutun (Şek. C1).

C1-1	Sağ Tutma Kolu	C1-2	Sol Tutma Kolu
------	----------------	------	----------------

**⚠ UYARI:** Hiçbir zaman sağ tutma kolunu sol elinizle, sol tutma kolunu ise sağ elinizle tutmayın. Uygun olmayan el pozisyonları ciddi yaralanmalara neden olabilir (Şek. C2).

**⚠ UYARI:** Yanlış pozisyon almaktan kaçının (Şek. C3). Makineden çok uzakta durmayın. Geri tepme durumunda doğru tepki ve kontrol sağlanamayabilir.

- b. Burgu ucunu vücudunuzdan uzak tutun ve burgu ucunu yüzeye 90° açıyla aşağı bakacak şekilde tutun.
- c. Dönüş yönünü ve dönüş hızını ayarlayın.
- d. Makineyi yüzeyin üzerine kaldırın. Kilitleme düğmesini basılı tutun ve tetiği sıkın.

**⚠ UYARI:** Ürün çalışırken burgu ucuna dokunmayın.

- e. Burgunun tam hızda kazanmasını sağlayın.
- f. Burgu ucunu 90° açığı koruyarak yüzeye indirin (Şek. C4). Burgu ucunun malzemeye girmesini sağlayarak makinenin işi yapmasını sağlayın.
- g. Burgu ucu kalıntıyla dolmaya başladıkça temiz bir kesim elde etmek ve harcanması gereken çabayı azaltmak için ucu sürekli olarak temizlemek önemlidir; burgu tam hızda çalışırken, yavaşça delikten kaldırın ve kalıntıların burgu ucundan temizlenmesini sağlayın.
- h. Bu makineyi kullandıktan sonra tetiği bırakın ve burgunun tamamen durmasını bekleyin.

- i. Makinenin yanında ayrıldığınızda (mola verdiğinizde vs.) makineyi buzun içinde bırakmayın veya duvara yaslamayın. Bıçak korumasını buz burgusu ucuna takın ve makineyi sabit bir konumda depolayın.

## BUZ BURGUSUNU KULLANMA İPUÇLARI

- Makineye aşırı basılması kazmayı hızlandırmaz. Aşırı basınç sadece burgu ucunun hasar görmesine, makinenin performansının düşmesine ve makinenin kullanım ömrünün kısalmasına neden olur.
- Derin bir delik açarken veya killi toprakta sondaj yaparken hemen kazmayı bırakmayın. Delikteki gevşek toprağın tahliye edilebilmesi için makineyi yukarı aşağı kaldırarak çukuru kazın.
- Yüksek yükte çalışma nedeniyle makinenin dönüş hızı yavaşlarsa, makineyi biraz yukarı kaldırın ve küçük adımlarla delmek için makineyi yukarı ve aşağı hareket ettirin.
- Sıkışmış bir burgu ucu, geri çekilmek için burgu ters dönüştürülerek kolayca çıkarılabilir. Geri giderken saat yönünde bir tepkiyi önlemek için makineyi vücudunuzdan destekleyin.
- Donmuş göletler, göller veya nehirler üzerinde buz burgusu ucuyla çalışmaya başlamadan önce, yerel yetkililere danışın ve güvenli buz kalınlığını sağlamak için gerekli tüm önlemleri alın.
- Buz burgusu ucunu delikten çıkarırken, ucun eğilmeden düz çıkması için makineyi dikey olarak kaldırın. Buz deliklerini açarken sıçramayı en aza indirmek için buz burgusu ucu buzu kırdığında tetik anahtarını hemen bırakın. Makineyi yavaşça kaldırın. Deliğe kimsenin adım atmaması için sondaj deliklerini kapatın ve açıkça işaretleyin.

## BAKIM

**⚠ UYARI:** Ciddi yaralanmaları önlemek için bakım, temizlik, aparat değişimi veya üniteden malzeme çıkarma işlemlerinden önce akü takımını üründen çıkarın.

### GENEL BAKIM

Plastik parçaları temizlerken çözücü maddeler kullanmaktan kaçının. Çoğu plastik malzeme, çeşitli ticari çözücü türlerinden etkilenmeye yatkındır ve bu çözücü maddelerin kullanılması durumunda zarar görebilir. Kir, toz, yağ, gres, vb. gidermek için temiz bez kullanın.

**⚠ UYARI:** Fren sıvıları, benzin, petrol bazlı ürünler, içe işleyen yağlar gibi maddelerin plastik parçalara temas etmesine kesinlikle izin vermeyin. Kimyasal maddeler plastik parçalara hasar verebilir, bu tür parçaları zayıflatabilir veya parçalayabilir ve bu durum ciddi yaralanmalara neden olabilir.

## BUZ BIÇAKLARINI DEĞİŞTİRME

Buz burgusu buzun üzerinde zıplarsa veya buz deliklerini açarken buzu yavaşça keserse buz bıçaklarının değiştirilmesi gerekebilir.

Gerekli aletler: 6 mm Alyan anahtar (ürünle birlikte verilir), 3 mm Alyan anahtar (ürünle birlikte verilmez)

1. Akü takımını burgu makinesinden çıkarın ve kilitleme vidasını gevşetmek ve çıkarmak için 6 mm Alyan anahtarını kullanarak buz burgusu ucunu güç başlığının tahrik milinden çıkarın.
2. Koryucuyu eldiven giyin ve buz bıçağı koruyucusunu çıkarın (Şek. D1).
3. 3 mm Alyan anahtarını kullanarak vidaları ve buz bıçaklarını buz burgusu ucundan gevşetin ve çıkarın (Şek. D2).
4. Yeni bıçaklarla değiştirin ve iyice sıkın.
5. Bıçak koruyucusunu takın.

D1-1	Bıçak Koruyucusu	D1-2	Buz Bıçakları
D2-1	Vida	D2-2	Buz Bıçağı

## BUZ BURGUSU UCUNU DEPOLAMA

1. Akü takımını çıkarın.
2. Burgu ucunu güç başlığının tahrik milinden çıkarın.
3. Depoya kaldırmadan önce burgu ucunu iyice temizleyin.
4. Bıçak koruyucusunu buz burgusu ucuna takın.
5. Burgu ucunu çocukların ulaşamayacağı kuru, iyi havalandırılmış, kilitleme veya yüksek bir yerde depolayın. Burgu ucunu gübre, benzin veya diğer kimyasal maddelerin yakınına depolamayın.

## Çevre koruması



Elektrikli cihazları, kullanılmış aküleri ve şarj cihazını evsel atıklarla bertaraf etmeyin! Bu ürünü yetkili bir geri dönüşüm merkezine götürün ve ayrı bir şekilde toplanmasını sağlayın. Elektrikli aletler çevreyle uyumlu bir geri dönüşüm tesisine götürülmelidir.

TR

## SORUN GİDERME

SORUN	NEDENİ	ÇÖZÜM
Makine beklenmedik şekilde başlatılmıyor veya duruyor.	<ul style="list-style-type: none"><li>■ Akü takımı kapasitesi düşüktür.</li><li>■ Akü takımı aşırı ısınmıştır veya çok soğuktur.</li><li>■ Sağ tutma kolu kablosu, güç başlığı kablosuna düzgün şekilde bağlanmamıştır.</li></ul>	<ul style="list-style-type: none"><li>■ Akü takımını şarj edin.</li><li>■ Burgunun tekrar çalışabileceği bir noktaya akü takımının soğumasını veya ısınmasını bekleyin.</li><li>■ Güç başlığı PHA7400E kullanma kılavuzundaki "TUTMA KOLLARINI TAKMA" bölümünü takip ederek sağ tutma kolunun ve güç başlığının kablolarını bağlayın.</li></ul>
Çalışma sırasında çok fazla gürültü ve/veya titreşim var.	<ul style="list-style-type: none"><li>■ Bazı parçalar gevşektir.</li></ul>	<ul style="list-style-type: none"><li>■ Burguyu durdurun, akü takımını çıkarın, gevşek parçaları kontrol edip sıkın.</li></ul>
Motor çalışıyor ancak burğu ucu sabit kalıyor.	<ul style="list-style-type: none"><li>■ Burğu ucu gevşektir.</li></ul>	<ul style="list-style-type: none"><li>■ Bu kılavuzdaki "BUZ BURGUSU UCUNU TAKMA" bölümünü izleyerek burğu ucunu yeniden takın.</li></ul>
Buz burgusu buzun üzerinde zıplıyor veya buz yavaş kesiyor.	<ul style="list-style-type: none"><li>■ Bıçaklar körelmiş veya hasarlıdır.</li></ul>	<ul style="list-style-type: none"><li>■ Bu kılavuzdaki "BUZ BIÇAKLARINI DEĞİŞTİRME" bölümünü izleyerek yeni bıçaklarla değiştirin.</li></ul>
Dönüş yönü/hız seçicisine bastıktan sonra burğu dönüş yönü veya hızı değişmiyor.	<ul style="list-style-type: none"><li>■ Dönüş yönünün ileri ve geri arasında değiştirilmesi yalnızca burğu durdurulduğunda mümkündür.</li><li>■ Başka türlü tanımlanamayan nedenler vardır.</li></ul>	<ul style="list-style-type: none"><li>■ Burguyu tamamen durdurun, dönüş yönü/hız seçiciyi istenen dönüşe getirin ve ardından burguyu yeniden çalıştırın.</li><li>■ Onarım için EGO servisine başvurun.</li></ul>

## GARANTİ

### EGO GARANTİ POLİTİKASI

EGO Garanti Politikasına ilişkin tüm hükümler ve koşullar için lütfen [egopowerplus.eu](http://egopowerplus.eu) adresindeki web sitesini ziyaret edin.

## LUGEGE LÄBI KÕIK JUHISED!



### LUGEGE KASUTUSJUHENDIT

**⚠ HOIATUS:** Turvalisuse ja vastupidavuse tagamiseks peab kõiki parandustöid läbi viima kvalifitseeritud hooldustehnik.

## OHUTUSSÜMBOL

Ohutussümbolite eesmärk on pöörata tähelepanu võimalikele ohtudele. Ohutussümbolitele ja nende juures olevatele seletustele tuleb korralikult tähelepanu pöörata ja need endale selgeks teha. Ohutussümbolid iseenesest ei kõrvalda ohtu. Nendega kaasnevad juhendid ja hoiatused ei asenda asjakohaseid õnnetuste ennetamise meetmeid.

**⚠ HOIATUS!** Enne käesoleva seadme kasutamist lugege kindlasti läbi ja tehke endale selgeks kõik kasutusjuhendis toodud ohutusjuhised, sh kõik ohutussümbolid, nagu „OHT”, „HOIATUS,” ja „ETTEVAATUST”. Kui allpool loetletud juhiseid ei järgita, võib tagajärjeks olla elektrilöökk, tulekahju ja/või tõsised isikuvigastused.

## OHUTUSJUHISED

Sel lehel on kujutatud ja kirjeldatud ohutussümboliteid, mida võib käesolevalt tootelt leida. Enne, kui üritate masinat kokku panna ja kasutada, lugege, tehke omale selgeks ja järgige kõiki juhiseid.



Ohutusteade



Vigastusohu vähendamiseks peab kasutaja enne toote kasutamist kasutusjuhendit lugema.



Kandke kaitseprille



Kasutage kuulmiskaitsevahendeid



Elektriseadmete jäätmeid ei tohi visata olmejäätmete hulka. Viige volitatud taaskäitleja juurde.



Toode vastab kohaldatavatele EÜ direktiividele.



Alalisvool



Toode vastab kohaldatavatele Ühendkuningriigi õigusaktidele.

V Pinge

kg Kilogramm

°C Celsius

mm Millimeeter

/min Pööret minutis

IPX4 Kaitstud igast suunast tulevate pritsmete vastu

ET

## SEADME ÜLDISED OHUTUSHOIATUSED

**⚠ HOIATUS:** Lugege läbi kõik seadmega kaasas olevad hoiatused, juhised, joonised ja andmed.

Alltoodud juhiste eiramine võib põhjustada elektrilööki, tulekahju ja/või tõsiseid vigastusi.

Säilitage hoiatused ja juhised hilisemaks kasutuseks.

### Tööpiirkonna ohutus

- Tööpiirkond peab olema puhas ja hästi valgustatud. Täis kuhjatud või valgustamata tööpiirkonnad võivad põhjustada õnnetusi.
- Ärge kasutage masinaid plahvatusohtlikus keskkonnas, kus leidub nt tuleohtlikke vedelikke, gaase või tolmu. Masinad tekitavad sädemeid, mis võivad süüdata tolmu või aurusid.
- Elektritööriistadega töötamisel hoidke lapsed ja kõrvalised isikud eemal. Tähelepanu hajumisel võite kaotada kontrolli seadme üle.

### Elektriohutus

- Elektritööriistad tuleb ühendada sobivasse pistikupessa. Ärge kunagi modifitseerige pistikut mitte mingil viisil. Ärge kasutage pistikuadaptoreid koos maandatud masinatega. Modifitseerimata pistikud ja sobivad pistikupesad vähendavad elektrilöögi ohtu.
- Vältige kehalist kontakti maandatud pindadega (nt torud, radiaatorid, katted, külmikud). Kui teie keha on maandatud, suureneb elektrilöögi oht.
- Ärge jätke masinaid vihma kätte ega märgadesse tingimustesse. Masinasse sisenev vesi suurendab elektrilöögi ohtu.
- Ärge kahjustage juhet. Ärge kasutage juhet laadija kandmiseks või tõmbamiseks ja ärge tõmmake juhtmest, kui soovite pistikut pistikupesast eemaldada. Vältige juhtme kokkupuudet kuumade esemete, õli, teravate servade või liikuvate osadega. Kahjustatud või puntras juhe suurendab elektrilöögi ohtu.
- Elektritööriistaga välitingimustes töötamiseks kasutage välitingimustes sobivat pikendusjuhet. Välitingimustesse sobiva juhtme kasutamine vähendab elektrilöögi ohtu.
- Kui peate kindlasti seadet märjas kohas kasutama, kasutage toiteallikat, millel on rikkevoolukaitselüliti. Rikkevoolukaitselüliti kasutamine vähendab elektrilöögi ohtu.

ET

### Isiklik ohutus

- Olge tähelepanelik, töötage hoolikalt ja kasutage tervet mõistust. Ärge kasutage elektritööriista, kui olete väsinud, või rohtude, alkoholi või narkootikumide mõju all. Isegi hetkeline tähelepanematus masina kasutamise ajal võib põhjustada tõsiseid vigastusi.
- Kasutage isikukaitsevahendeid. Kandke alati silmakaitsevahendeid. Töötingimustele vastava kaitsevarustuse (nt tolumumaski, mittelibisevate turvajalanõude, kiivri või kuulmiskaitsevahendite) kasutamine vähendab kehavigastuste ohtu.
- Vältige seadme tahtmatut käivitamist. Enne tööriista vooluvõrgu ja/või akuplokiga ühendamist ning enne tööriista kandmist või üles tõstmist veenduge, et lüliti on mitteaktiivses asendis. Masinate tassimine sõrme lülilil hoides või akuploki ühendamine, kui lüliti on sisse lülitatud, põhjustab õnnetusi.
- Enne tööriista sisselülitamist eemaldage sellelt kõik reguleerimis- ja mutrivõtmed. Elektritööriista pöörleva osa külge unustatud võtmed vms tööriistad võivad põhjustada kehavigastusi.
- Ärge küünitage liiga kaugele. Töötage ainult kindlal pinnal ja kohtades, kus pole ohtu tasakaalu kaotada. Nii säilitate ootamatutes olukordades elektritööriista üle parema kontrolli.
- Riietuge asjakohaselt. Ärge kandke avaraid rõivaid ega ehteid. Vältige oma juuste ja riiete kokkupuudet liikuvate osadega. Avarad rõivad, ehted ja pikad juuksed võivad liikuvate osade vahele kinni jääda.
- Kui tootega on kaasas vahendid tolmuärastus- ja kogumisseadmete ühendamiseks, siis veenduge, et need seadmed on korralikult ühendatud ja asjakohases kasutuses. Tolmukogumisseadmete kasutamine vähendab tolmu seotud ohtusid.
- Isegi kui seade on teile sagedase kasutamise tulemusel harjumuspäraseks saanud, ärge laske ennast lõdvaks ega ignoreerige tööriista kasutamise ohutusreegleid. Hooletuse tõttu võite saada tõsiseid vigastusi ka sekundi murdosa jooksul.

### Masina kasutamine ja hooldus

- Ärge avaldage seadmele jõudu. Kasutage konkreetseks tööks sobivat elektritööriista. Sobiva elektritööriistaga sobival kiirusel töötades saate töö tehtud kiiresti ja ohutult.
- Ärge kasutage seadet, mida ei saa lülitist sisse ega välja lülitada. Tööriist, mille lüliti ei tööta, on ohtlik ja tuleb parandada.

- Eemaldage pistik vooluvõrgust ja/või akuplokk seadme küljest, kui see on eemaldatav, enne seadme kohandamist, tarvikute vahetamist või elektritööriista hoiustamist. Selliste ohutusmeetmete rakendamisel vähendate elektritööriista tahtmatu käivitamise ohtu.
- Hoidke seisvat seadet lastele kättesaamatus kohas ja ärge lubage seadet kasutada isikutel, kes ei tunne seadet ega neid juhiseid. Seadmed on väljaõppeta isikute käes ohtlikud.
- Hooldage nii elektritööriistu kui tarvikuid. Kontrollige, kas komponendid on korrektselt joondatud ja ega ükski osa paindunud pole ning jälgige ka muid aspekte, mis võiksid masina omadusi mõjutada. Kui see on kahjustatud, laske masin enne kasutamist parandada. Paljude õnnetuste põhjuseks on kehvasti hooldatud masinad.
- Hoidke löiketööriista teravad ja puhtad. Korralikult hooldatud ja teravate servadega löiketööriista ei kiilu nii kergesti kinni ja on lihtsamini kontrollitavad.
- Kasutage seadet, selle tarvikuid, tööriistaosi jm vastavalt käesolevale juhendile, võttes arvesse töötingimusi ja teostatavat tööd. Masina mittesihipärane kasutamine võib põhjustada ohtlikke olukordi.
- Hoidke käepidemed ja haardepinnad kuivad ja puhtad ning vältige neile õli ja rasva sattumist. Libedad käepidemed ja haardepinnad takistavad seadme ohutut kasutamist ning ootamatutes olukordades käsitlemist.

#### Akuseadme kasutamine ja hooldus

- Kasutage laadimiseks ainult tootja poolt ette nähtud laadureid. Akulaadija, mis sobib teatud tüüpi akuplokkile, võib põhjustada tulekahju ohtu, kui kasutada seda mõne teise akuplokkiga.
- Kasutage seadmeid ainult nende jaoks ette nähtud akuplokkidega. Mõne muu akuploki kasutamine võib põhjustada vigastuste ja tulekahju ohtu.
- Kui akut ei kasutata, hoidke seda eemal muudest metallesemetest nagu kirjaklambrid, mündid, võtmed, naelad, kruvid ja muud väikesed metallesemad, mis võivad klemmide vahel ühenduse luua. Akuklemmide lühihüendus võib põhjustada põletushaavu ja tulekahju ohtu.
- Valedes tingimustes kasutamisel võib akut vedelikku välja tulla; vältige kokkupuudet sellega. Kokkupuute korral loputage veega. Kui vedelik satub silma, pöörduge lisaks ka arsti poole. Akust erituv vedelik võib põhjustada ärritust või põletusi.

- Ärge kasutage kahjustunud või modifitseeritud akuplokki või tööriista. Kahjustunud või modifitseeritud akut võivad toimida ettearvamatult, mille tagajärjeks võivad olla tulekahju, plahvatus või vigastuste oht.
- Vältige akuploki või tööriista kokkupuudet tule või liiga kõrge temperatuuriga. Kokkupuude lahtise tule või temperatuuriga üle 130 °C võib põhjustada plahvatuset.
- Järgige kõiki laadimisjuhiseid ja ärge laadige akuplokki või tööriista vale temperatuuri juures (vt juhiseid). Valessti või valel temperatuuril laadimine võib kahjustada akut ja suurendada tulekahjuohtu.

#### Hooldus

- Laske oma masinat hooldada kvalifitseeritud remonditehnikul, kes kasutab ainult identseid originaalvaruosi. See tagab tööriista ohutuse.
- Ärge kunagi hooldage kahjustunud akuplokke. Akuplokkide hooldust võib teostada ainult tootja või volitatud teeninduskeskus.

#### JÄÄPUURI TURVAHOIATUSED

- Asendage puurid, kui need on möranenud, painutatud või mistahes viisil kahjustatud. Kahjustatud puuriga masina kasutamine võib põhjustada tõsiseid vigastusi.
- Ärge kunagi kasutage puuri, mille käepidemed on võõst kõrgemal. See piirab puuri kontrolli ja võib suurendada vigastuste ohtu.
- Hoidke masinat kahe käega ettenähtud käepidemetest. Kontrolli kaotamine võib põhjustada isikukahju.
- Hoidke masinat ainult isoleeritud kinnihoidmiskohtadest, sest kaevamistarvik võib puutuda kokku varjatud juhtmetega. Kui kaevamistarvik puutub kokku „voolu all“ olevate juhtmetega, võib elekter levida masine katmata metallosadele ja kasutaja saada elektrilöögi.
- Elektrilöögiohu vähendamiseks ärge kasutage maapuuri kunagi mistahes maaelektriliinide läheduses. Maaelektrikaablitega kokkupuutumine või nende läheduses kasutamine võib põhjustada tõsiseid vigastusi või surmaga lõppeva elektrilöögi.
- Käivitage masin alati madalal kiirusel ja nii, et puuri otsik puutuks kokku maapinnaga. Suurematel kiirusel võib puuritera painduda, kui sellel lastakse ilma maapinda puudutamata töötada, mille tagajärjel tekivad kehalised vigastused.

ET

- **Rakendage jõudu ainult otse löiketerale ja ärge rakendage liigselt jõudu.** Löiketerad võivad painduda ja põhjustada seeläbi purunemist või kontrolli kaotamist ning isikukahju.
- **Veenduge alati, et teil on kindel jalgealune.** Masinat kõrgetes kohtades kasutades veenduge, et keegi ei viibiks all.
- **Hoidke masinat kindlat.**
- **Hoidke käed pöörlevatest osadest eemal.**
- **Ärge jätke töötavat masinat järelevalveta. Kasutage masinat ainult käes hoides.**
- **Ärge puudutage puuri vahetult pärast töötamist.** See võib olla väga kuum ja võib nahka põletada.
- **Kui masinaga on midagi valesti, näiteks kostab ebatavalisi helisid, lõpetage kohe töötamine ja võtke remondiks ühendust kohaliku teeninduskeskusega.**
- **Plahvatusohtu vähendamiseks ärge kunagi kasutage puuri maapinnas olevate gaasitorude, sealhulgas veetorude ja torujuhtmete läheduses.** Maapinnas olevate vee- või gaasitorustikuga kokkupuutumine võib põhjustada veetorustiku lõhkemise ja gaasitorustiku plahvatus, mis võib põhjustada tõsisid vigastusi või surma.
- **Ärge kasutage kunagi kiirusel, mis ületab puuri maksimaalset nimikiirust.** Suurematel kiirustel võib puuritera painduda, kui selle lastakse ilma puuritavat pinda puudutamata töötada, mille tagajärjel tekivad kehalised vigastused.
- **Äkuga töötavaid masinaid pole vaja vooluvõrku ühendada, seega on nad alati töörežiimis. Olge teadlik võimalikest ohtudest ka ajal, mil masin pole sisse lülitatud.** Seadme hooldamise või remontimise ajal olge ettevaatlik.
- **Ärge peske voolikuga; vältige vee sattumist mootorisse ja elektriühenduste peale.**
- **Jääterad on väga teravad. Olge augu puurimisel või terade vahetamisel äärmiselt ettevaatlik. Pärast iga kasutuskorda pange peale terakaitse.**
- Kontrollige sageli ja veenduge, et lukustuskrüvi on paigas.
- Kasutage ainult täpsustatud akuplokke ja laadijaid.

**Hoidke need juhised alles.** Lugege juhendit sageli ning kasutage seda masinat kasutavate isikute väljaõpetamiseks. Kui te masinat kellelegi laenate, andke sellega kaasa ka käesolev kasutusjuhend, et vältida toote väärkasutamist ja võimalikke vigastusi.

## TEHNILISED ANDMED

Puuri/Ava läbimõõt	200 mm	
Maksimaalne puurimissügavus	990 mm	
Kaal (ilma akuplokita)	3,7 kg	
Soovituslik töökeskkonna temperatuur	-20 °C kuni 40 °C	
Soovituslik hoiustamise temperatuur	-40 °C kuni 70 °C	
Helivõimsuse tase $L_{WA}$	97,6 dB(A)	K=3 dB(A)
Helirõhu tase $L_{PA}$	89,6 dB(A)	K=3 dB(A)
Vibratsioon $a_h$	Parempoolne käepide	2,52 m/s <sup>2</sup> K=1,5 m/s <sup>2</sup>
	Vasakpoolne käepide	2,45 m/s <sup>2</sup> K=1,5 m/s <sup>2</sup>

- Esitatud vibratsioonitaseme näit on mõõdetud standardsete testmeetodite kohaselt ja seda võib kasutada erinevate masinate võrdlemiseks.
- Esitatud vibratsioonitaseme näitu võib kasutada ka algsel kokkupuutehinngu andmiseks.

**MÄRKUS!** Tegelikul kasutamisel tekkiv vibratsioonitase võib esitatust erineda; turvalisuse eesmärgil peaks masina kasutaja kandma tegelikes kasutustingimustes kindaid ja kuulmiskaitsemeid.

## SOOVITATUD TARVIKUD

**⚠ HOIATUS!** Kasutage ainult allpool loetletud tarvikuid. Algsel tootespetsifikatsioonile mittevastavate tarvikute kasutamine võib põhjustada häireid seadme töös ja puudujääke ohtuses.

OSA NIMI	MUDELI NUMBER
Jääpuuri tera	AB08001

## PAKENDI LOEND (JONIS A)

## KIRJELDUS

### TUTVUGE OMA JÄÄPUURIGA (Joonis A)

1. Jääpuur

2. Lukustuskruvi
3. Tera kaitse
4. Jäätera
5. Kuuskantvõti (6 mm)

## KOKKUPANEK

### JÄÄPUURI PAIGALDAMINE

**⚠ HOIATUS:** Puur on väga terav. Isikuvigastuste vältimiseks olge puuri puhastamisel, paigaldamisel või eemaldamisel äärmiselt ettevaatlik. Puuri hooldades kasutage alati kaitsekindaid.

- 1 Vabastage ja eemaldage jääpuuri lukustuskruvi.
- 2 Paigaldage puuri ülemine ots juhtotsiku veovõllile (Joonis B1).
- 3 Joondage puuri ja veovõlli ühendusavad.
- 4 Kasutage lukustuskruvi, et kinnitada puur veovõlli külge. Kasutage komplekti kuuluvat 6 mm kuuskantvõtit, et lukustuskruvi kindlalt kinni keerata (Joonis B2).

B1-1	Veovõll	B1-2	Jääpuuri ülemine ots
B2-1	Veovõll	B2-2	Lukustuskruvi
B2-3	Lame külg		

**MÄRKUS!** Veenduge, et lukustuskruvi on sisestatud ühendusavadesse puuri ava lameda poole pealt.

## KASUTAMINE

### RAKENDUSALAD

Seda toodet võib kasutada allpool loetletud eesmärkidel.

- Aukude puurimine jäässe jääpuuri abil.

### JÄÄPUURI KÄIVITAMINE/PEATAMINE

Vt „JUHTOTSIKU KÄIVITAMINE/SEISKAMINE“ jaotist juhtotsiku PHA7400E kasutusjuhendist.

**MÄRKUS!** Enne masina käivitamist kandke kaitsekindaid ja eemaldage jäätera kaitse.

### JÄÄPUURIGA TÖÖTAMINE

#### ⚠ HOIATUS:

- Enne masina kasutamist võtke maa-aluste kommunikatsioonide märgistamiseks ühendust kohaliku teenusepakkujaga.
- Ärge kasutage jääpuuri muul otstarbel kui ettenähtud

otstarbel.

- Kasutage jääpuuri ainult jäässe aukude puurimiseks.
- Vältige kaevumist materjali sisse, mis teie arvates sisaldab peidetud naelu või muid asju, mis võivad puuri otsa kinni jääda või puruneda.
- Olge ettevaatlik masina pöördemomendi reaktsioonijõu suhtes. Hoidke alati tööasendit, mis suudab vastu pidada pöördemomendi reaktsioonijõule.
- Olge kallakutel või ebatasasel pinnal töötades eriti ettevaatlikud.

**MÄRKUS!** Enne kasutamist kontrollige, et avadesse või liikuvatesse osadesse poleks jäänud võõrkehi (liiv, mustus jne).

- a. Veenduge, et jalad oleksid kindlalt tööpinna kohal ja seiske nii, et käepidemed oleksid vöökohta lähedal. Hoidke parema käega tugevalt paremat käepidet ja vasaku käega vasakut käepidet (Joonis C1).

C1-1	Parempoolne käepide	C1-2	Vasakpoolne käepide
------	---------------------	------	---------------------

**⚠ HOIATUS:** Ärge kunagi hoidke paremat käepidet vasaku käega ja vasakut käepidet parema käega. Käte ebaõige asend võib põhjustada tõsiseid vigastusi (Joonis C2).

**⚠ HOIATUS:** Vältige valet paigutust (Joonis C3). Ärge seiske masinast liiga kaugel. Tagasilöögi korral ei pruugita õiget reaktsiooni ja kontrolli saavutada.

- b. Hoidke puur oma kehast eemal ja puur suunake allapoole, pinna suhtes 90° nurga all.
- c. Määrake pöörlemissuund ja pöörlemiskiirus.
- d. Tõstke masin pinna kohale. Vajutage ja hoidke lukustusnuppu all ning vajutage lüliti päästikut.

**⚠ HOIATUS:** Ärge puudutage puuri otsikut, kui masin on sisse lülitatud.

- e. Laske puuril saavutada täiskiirus.
- f. Langetage puur pinna sisse, säilitades 90° nurga (Joonis C4). Laske puuril materjali sisse liikuda, lastes masinal tööd teha.
- g. Kuna puur hakkab täituma prahiga, on oluline seda pidevalt puhastada, et teha puhas löige ja vähendada vajalikku pingutust – kui puur töötab täiskiirusel, tõstke see aeglaselt august välja ja laske prahil puurist välja langeda.
- h. Pärast puurimise lõpetamist vabastage päästiklüliti ja laske puuril täielikult peatuda.
- i. Masina juurest lahkudes, näiteks pausi ajal, ärge jätke masinat jää sisse ega toetage seda vastu seina. Paigaldage terakaitse jääpuurikülge ja hoidke masin stabiilses asendis.

ET

## NÄPUNÄITED JÄÄPUURI KASUTAMISEKS

- Masinale liigne vajutamine ei kiirenda kaevamist. Liigne surve kahjustab ainult puuri otsikut, vähendab masina jõudlust ja lühendab masina kasutusiga.
- Kui puuri sügavat auku või puurite savipinnasesse, ärge proovige korraga puurida. Kaevake auk, tõstes masinat üles ja alla, et augu lahtine pinnas saaks välja tulla.
- Kui masina pöörlemiskiirus aeglustub suure koormuse tõttu, tõstke masin veidi üles ja liigutage masinat üles-alla, et puurida väikeste sammudega.
- Kinnijäänud puuri saab eemaldada, kui keerate puuri tagasipööramiseks tagasi. Vastassuunas pööramiseks suruge masin vastu keha, et vältida päripäeva reaktsiooni.
- Enne jääpuuri kasutamist külmunud tiikidel, järvedel või jõgedel pidage nõu kohalike võimudega ja võtke kasutusele kõik vajalikud ettevaatusabinõud, et veenduda jää ohutus paksuses.
- Jääpuuri otsiku avast välja võtmisel tõstke masin vertikaalselt nii, et otsik tuleks otse välja ilma kaldumata. Pritsmete minimeerimiseks jääaukude puurimisel vabastage päästik kohe, kui jääpuuri otsik jääst läbi murdub. Tõstke masin aeglaselt üles. Katke ja märgistage puuraugud selgelt, et vältida auku astumist.

## HOOLDUS

**⚠ HOIATUS:** Raskete vigastuste vältimiseks eemaldage alati aku, enne kui asute seadet remontima, puhastama, tarvikuid vahetama või kinni jäänud objekte eemaldama.

### ÜLDHOOLDUS

Vältige plastosade puhastamisel lahustite kasutamist. Enamik plastmaterjalidest on vastuvõtlikud müügil olevatest lahustitest tulenevatele kahjustustele. Kasutage mustuse, tolmu, õli, määrded jms eemaldamiseks puhast lappi.

**ET**

**⚠ HOIATUS!** Ärge kunagi laske pidurivedelikel, bensiinil, naftapõhistel toodetel, läbistavatel õlidel jne kokku puutuda plastosadega. Kemikaalid võivad plasti kahjustada, nõrgendada või hävitada, mille tagajärjeks võib olla raske kehavigastus.

### JÄÄTERADE ASENDAMINE

Kui jääpuur hüppab jääle või löikab jääaukude puurimisel aeglaselt läbi jää, võib tekkida vajadus jääterade väljavahetamiseks.

Vajalikud tööriistad: 6 mm kuuskantvõti (kaasas), 3 mm kuuskantvõti (pole kaasas)

1. Eemaldage aku jääpuuri küljest ja eemaldage jääpuuri otsik juhtotsiku veovõlli küljest, kasutades 6 mm kuuskantvõtit, et vabastada ja eemaldada lukustuskruvi.
2. Kandke kaitsekindaid ja eemaldage jäätera kaitse (Joonis D1).
3. Keerake 3 mm kuuskantvõtmega lahti ja eemaldage kruvid ja jääterad jääpuuri otsast (Joonis D2).
4. Asendage uute teradega ja pingutage need kindlalt kinni.
5. Paigaldage terakaitse.

D1-1	Tera kaitse	D1-2	Jääterad
D2-1	Kruvi	D2-2	Jäätera

## JÄÄPUURI HOIUSTAMINE

1. Eemaldage akuplokk.
2. Eemaldage puuri juhtotsiku veovõlli küljest.
3. Enne hoiustamist puhastage puur põhjalikult.
4. Paigaldage terakaitse jääpuuri külge.
5. Hoidke puuri kuivas, hästi ventileeritavas, lukustatud kohas ja kõrgel. Lastele ligipääsmatus kohas. Ärge hoiustage puuri väetiste, bensiini või muude kemikaalide peal või lähedal.

### Keskonnakaitse



Ärge visake elektriseadmeid, kasutatud akut ega laadurit olmeprügi hulka! Viige toode volitatud taaskäitleja juurde ja võimaldage selle komponendid sorteerituna kõrvaldada. Elektritööriistad tuleb viia keskkonnakaitsekoostöödeid järgivasse jäätmekäitluskeskusesse.

## TÖRKEOTSING

PROBLEEM	PÕHJUS	LAHENDUS
Masin ei käivitu või peatub ootamatult.	<ul style="list-style-type: none"> <li>■ Aku on tühi.</li> <li>■ Aku on ülekuumenenud või liiga külm.</li> <li>■ Parema käepideme kaabel ei ole juhtotsiku kaabliga korralikult ühendatud.</li> </ul>	<ul style="list-style-type: none"> <li>■ Laadige akuplokki.</li> <li>■ Oodake, kuni aku jahtub või soojeneb, siis saab puuri uuesti käivitada.</li> <li>■ Ühendage parempoolse käepideme ja juhtotsiku kaablid, järgides juhtotsiku PHA7400E kasutusjuhendi jaotist „KÄEPIDETE PAIGALDAMINE”.</li> </ul>
Töötamise ajal on liiga palju müra ja/või vibratsiooni.	<ul style="list-style-type: none"> <li>■ Mõned osad on lahti.</li> </ul>	<ul style="list-style-type: none"> <li>■ Peatage puur, eemaldage aku, kontrollige lahtiseid osi ja pingutage need kinni.</li> </ul>
Mootor töötab, kuid puur jääb paigale.	<ul style="list-style-type: none"> <li>■ Lahtine puur.</li> </ul>	<ul style="list-style-type: none"> <li>■ Asetage puur tagasi, järgides käesoleva juhendi jaotises „JÄÄPUURI PAIGALDAMINE” antud juhiseid.</li> </ul>
Jääpuur hüppab jääle või löikab aeglaselt läbi jää.	<ul style="list-style-type: none"> <li>■ Terad on nürid või kahjustatud.</li> </ul>	<ul style="list-style-type: none"> <li>■ Asendage uute lõiketeradega, järgides selle juhendi jaotist „JÄÄTERADE VAHETAMINE”.</li> </ul>
Pärast pöörlemisuuna/kiiruse valija vajutamist puuri pöörlemisuund või kiirus ei muutu.	<ul style="list-style-type: none"> <li>■ Pöörlemisuuna vahetamine edasi- ja tagasikäigu vahel on võimalik ainult siis, kui puur on peatatud.</li> <li>■ Muud tuvastamata põhjused.</li> </ul>	<ul style="list-style-type: none"> <li>■ Peatage puur täielikult, lükake pöörlemisuuna/kiiruse lüliti soovitud pöördeni ja seejärel käivitage puur uuesti.</li> <li>■ Remondi teostamiseks võtke ühendust EGO hoolduskeskusega.</li> </ul>

## GARANTII

### EGO GARANTIIPÕHIMÕTTED

Täielikud EGO garantiitingimused leiata veebilehelt [egopowerplus.eu](http://egopowerplus.eu).

ET

## ПРОЧИТАЙТЕ ВСІ ІНСТРУКЦІЇ!



ПРОЧИТАЙТЕ ПОСІБНИК З ЕКСПЛУАТАЦІЇ

**⚠ ПОПЕРЕДЖЕННЯ.** Для гарантування безпеки та надійності всі ремонтні роботи повинен проводити кваліфікований технічний спеціаліст.

## СИМВОЛ БЕЗПЕКИ

Мета символів, пов'язаних із безпекою, – привернути вашу увагу до можливих небезпек. Символи безпеки та їхнє пояснення заслуговують на вашу пильну увагу та розуміння. Символи попереджень самі по собі не усувають будь-якої небезпеки. Інструкції та попередження, які вони надають, не замінюють належних заходів щодо запобігання аваріям.

**⚠ ПОПЕРЕДЖЕННЯ.** Перш ніж користуватися цим інструментом, обов'язково ознайомтеся з усіма інструкціями з безпеки, наведеними в цьому посібнику користувача, зокрема з усіма символами попереджень, такими як «**НЕБЕЗПЕКА**», «**ПОПЕРЕДЖЕННЯ**» та «**ЗАСТЕРЕЖЕННЯ**». Недотримання наведених нижче вказівок може спричинити ураження електричним струмом, пожежу та/або серйозні травми.

## ПРАВИЛА ТЕХНІКИ БЕЗПЕКИ

На цій сторінці зображено та описано символи, пов'язані з безпекою, які можуть відображатися на цьому виробі. Перш ніж намагатися зібрати та експлуатувати його, ознайомтеся з усіма інструкціями на інструменті та дотримуйтесь їх.



Попередження щодо безпеки



З метою зменшення ризику отримання травм користувач повинен прочитати посібник з експлуатації.



Надягайте засоби захисту очей



Надягайте засоби захисту органів слуху



Відходи електричних виробів не слід викидати разом із побутовим сміттям. Зверніться до авторизованого пункту переробки.



Цей виріб відповідає чинним директивам ЄС.



Постійний струм



Цей виріб відповідає чинному законодавству Великобританії.

**UK**

V Напруга

kg Кілограми

°C Градуси Цельсія

mm Міліметр

/min Обертів на хвилину

IPX4 Захист від бризок води

## ЗАГАЛЬНІ ВКАЗІВКИ З ТЕХНІКИ БЕЗПЕКИ

**▲ ПОПЕРЕДЖЕННЯ.** Прочитайте всі попередження з безпеки, інструкції, ілюстрації та характеристики, надані з цим інструментом. Недотримання наведених нижче інструкцій може спричинити ураження електричним струмом, пожежу та/або серйозні травми.

**Зберігайте всі попередження та інструкції для використання в майбутньому.**

### Безпека робочої зони

- Робоче місце має бути чистим і гарно освітленим. Неприбрана або погано освітлена робоча зона може стати причиною нещасного випадку.
- Не працюйте з інструментом у вибухонебезпечному середовищі, наприклад за наявності легкозаймистих рідин, бензину або пилу. Під час роботи інструмента утворюються іскри, від яких можуть зайнятися пил або випари.
- Дітям і спостерігачам заборонено перебувати поруч з електроінструментом, що працює. Це може відволікати вас і призвести до втрати контролю.

### Електробезпека

- Штепсельні вилки електроінструмента мають підходити до розеток. Заборонено модифікувати вилку будь-яким чином. Не використовуйте жодні перехідники для роботи із заземленими електроінструментами. Використання штепселів і розеток, у які не вносилися зміни, зменшує ризик ураження електричним струмом.
- Уникайте контакту частин тіла із заземленими поверхнями, такими як труби, батареї, плити й холодильники. У разі заземлення тіла збільшується ризик ураження електричним струмом.
- Бережіть електроінструмент від дощу та вологи. Вода, що потрапила в інструмент, підвищує ризик ураження електричним струмом.
- Поводьтесь обережно зі шнуром живлення. Ніколи не використовуйте шнур живлення для перенесення, перетягування або вимкнення інструмента. Бережіть шнур живлення від джерел тепла, мастил, гострих країв та рухомих частин. Пошкоджені або заплутані шнури живлення підвищують ризик ураження електричним струмом.
- Під час роботи з електроінструментом надворі використовуйте подовжувач, призначений для зовнішніх робіт. Використання подовжувача,

призначеного для зовнішніх робіт, зменшує ризик ураження електричним струмом.

- Якщо роботи з інструментом у вологому середовищі не unikнути, скористайтеся вимикачем короткого замикання на землю. Використання ВКЗЗ зменшує ризик ураження електричним струмом.

### Особиста безпека

- Під час роботи з інструментом будьте уважні, стежте за своїми діями та мисліть розсудливо. Не працюйте з електроінструментом, якщо ви втомлені або перебуваєте під дією наркотичних речовин, алкоголю чи ліків. Навіть миттєва неуважність під час роботи з інструментом може призвести до серйозної травми.
- Використовуйте засоби особистого захисту. Завжди надягайте засоби захисту очей. Використання у відповідних умовах таких захисних засобів, як протипиловий респіратор, неслизьке захисне взуття, шолом-каска і навушники допоможе зменшити ризик травмування.
- Уникайте випадкового запуску інструмента. Перш ніж підключати електроінструмент до мережі живлення чи акумулятора, брати або переносити його, перевірте, чи встановлено перемикач у положення «вимкнено». Якщо переносити електроінструмент, тримаючи палець на вимикачі, або підключати його до джерела живлення, коли вимикач перебуває в положенні «увімкнено», це може призвести до травмування.
- Перш ніж вимкати інструмент, слід зняти всі регульовані клинці або гайкові ключі. Якщо залишити такий ключ на рухомій частині інструмента, це може призвести до травмування.
- Не перенапружуйтеся. Завжди міцно стійте на ногах і втримуйте рівновагу. Це дає змогу краще керувати інструментом у разі виникнення непередбачуваних ситуацій.
- Одягайтеся належним чином. Не носіть вільний одяг або біжутерію. Стежте за тим, щоб волосся та одяг не потрапили на рухомі частини. Вільний одяг, біжутерія або довге волосся можуть потрапити в рухомі частини.
- Якщо пристрій обладнано системою видалення пилу, переконайтеся, що її правильно підключено, та що ви використовуєте її належним чином. Використання пристрою для збирання пилу може зменшити небезпеку, пов'язану з пилом.

KEES VAN DER  
TOUW EN PARKHAC

UK

- Не дозволяйте навичкам, отриманим після частого використання інструментів, змусити вас стати самовпевненими та ігнорувати принципи безпеки інструмента. Недбала дія може спричинити серйозну травму протягом доли секунди.

## Використання машини та догляд за нею

- Не застосовуйте силу до інструмента. Використовуйте належний електроінструмент відповідно до потреби. Правильно підібраний електроінструмент допоможе краще та безпечніше зробити роботу зі швидкістю, яка для нього передбачена.
- Не використовуйте інструмент, якщо вимикач не вмикає або не вимикає його. Усі електроінструменти, якими неможливо керувати за допомогою перемикача, становлять небезпеку й підлягають ремонту.
- Перш ніж проводити будь-які регулювання, замінювати приладдя або перед зберіганням слід вийняти штепсель з джерела живлення та/ або вийняти з інструмента акумулятор, якщо він знімний. Такі запобіжні заходи безпеки зменшують ризик випадкового вмикання інструмента.
- Зберігайте інструменти, що не використовуються у недоступному для дітей місці та не дозволяйте особам, які не знайомі з інструментом або цими інструкціями, керувати ним. Електроінструменти становлять небезпеку в руках недосвідчених користувачів.
- Обслуговуйте інструменти та приладдя. Перевіряйте їх на предмет розладнання чи блокування рухомих частин, а також будь-яких обставин, які можуть вплинути на роботу інструмента. У разі пошкодження електроінструмент слід здати в ремонт, перш ніж користуватися ним. Часто нещасні випадки трапляються внаслідок неналежного технічного обслуговування інструментів.
- Тримайте різальні інструменти гострими й чистими. Належним чином доглянуті різальні інструменти з гострими ріжучими краями рідше блокуються, та ними легше керувати.
- Користуйтеся електроінструментом, приладдям і насадками для інструмента згідно з цією інструкцією, зважаючи на робочі умови та роботу, яку слід виконати. Використання електроінструмента не за призначенням може стати причиною виникнення небезпечних ситуацій.
- Підтримуйте ручки та захватні поверхні сухими, чистими, без жиру та бруду. Слизькі ручки та

захватні поверхні не дають змоги безпечно тримати та керувати інструментом у непередбачених ситуаціях.

## Використання акумуляторного інструмента та догляд за ним

- Заряджайте лише за допомогою зарядного пристрою, вказаного виробником. Зарядний пристрій, який підходить для акумуляторів одного виду, може спричинити ризик пожежі у випадку його використання з іншим акумулятором.
  - З інструментом слід використовувати лише призначені для нього акумуляторні батареї. Використання будь-яких інших акумуляторних батарей може призвести до травми або пожежі.
  - Коли батарея не використовується, її слід тримати окремо від металевих предметів – затискачів паперу, монет, ключів, цвяхів, шурупів та інших дрібних предметів, які можуть замкнути клемми. Коротке замикання клем акумулятора може стати причиною опіків чи пожежі.
  - У надто важких умовах експлуатації з акумулятора може витікати рідина; не доторкайтесь до неї. Якщо випадково ви все ж торкнулися її, слід промити це місце водою. Якщо рідина потрапила в очі, слід також звернутися до лікаря. Рідина, яка виступає з акумулятора, може спричинити подразнення або опіки.
  - Не використовуйте акумуляторну батарею або інструмент, які пошкоджені або змінені. Пошкоджені або змінені акумулятори можуть мати непередбачувану поведінку, що може спричинити пожежу, вибух або ризик травмування.
  - Не піддавайте акумуляторну батарею або інструмент дії вогню або високих температур. Вогонь або температура вище 130°C може спричинити вибух.
  - Дотримуйтесь усіх інструкцій щодо зарядження та не заряджайте акумуляторну батарею або інструмент за межами температурного діапазону, зазначеного в інструкціях. Зарядження неналежним чином або при температурах за межами вказаного діапазону може пошкодити акумулятор і збільшити ризик виникнення пожежі.
- ## Обслуговування
- Обслуговування інструмента повинен виконувати кваліфікований ремонтник з використанням лише ідентичних запасних частин. Це забезпечить надійну роботу інструмента.

- Ніколи не ремонтуйте пошкоджені акумулятори. Сервісне обслуговування акумуляторних батарей має виконувати лише виробник або авторизовані постачальники послуг.

## ПОПЕРЕДЖЕННЯ ЩОДО БЕЗПЕКИ ВИКОРИСТАННЯ ЛЬОДОВОГО БУРА

- Замініть бури, якщо вони тріснули, зігнуті або будь-яким чином пошкоджені. Експлуатація машини з пошкодженим буром може призвести до серйозних травм.
- Ніколи не використовуйте бур, коли ручки перебувають вище рівня пояса. Це обмежує контроль над буром і може збільшити ризик травмування.
- Тримайте машину обома руками за спеціальні ручки. Втрата контролю над інструментом може призвести до травм.
- Під час роботи, коли кріплення може зачепити заховану електропроводку, тримайте інструмент за ізольовані рукоятки. Контакт землерийного інструмента з дротом під напругою призводить до появи напруги в металевих частинах інструмента, що може призвести до ураження користувача електричним струмом.
- Щоб зменшити ризик ураження електричним струмом, ніколи не використовуйте бур поблизу будь-яких підземних електричних кабелів. Контакт із підземними електричними кабелями живлення або використання поблизу них може призвести до серйозних травм або ураження електричним струмом, що призведе до смерті.
- Завжди запускайте машину на низькій швидкості та так, щоб наконечник бура торкався землі. На високих швидкостях свердло може зігнутися, якщо дозволити йому вільно обертатися, не торкаючись землі, що призведе до травм.
- Застосовуйте тиск тільки по прямій лінії зі свердлом і не застосовуйте надмірний тиск. Свердла можуть гнутись, що призводить до поломки або втрати контролю і може спричинити травму.
- Завжди стійте твердо. Переконайтеся, що внизу нікого немає, коли використовуєте машину на висоті.
- Міцно тримайте машину.
- Тримайте руки подалі від обертових частин.
- Не залишайте машину ввімкненою. Використовуйте машину, лише тримаючи її в руках.
- Не торкайтеся бура відразу після роботи. Він може бути дуже гарячим і призвести до опіків шкіри.
- Якщо з інструментом щось не так, наприклад ненормальні звуки, негайно припиніть роботу та зверніться до місцевого сервісного центру для ремонту.
- Щоб зменшити ризик вибуху, ніколи не використовуйте бур поблизу підземних газо- чи водопроводів чи інших труб. Контакт із підземними водо- чи газопроводами або використання поблизу них може призвести до прориву водопроводу та вибуху газопроводу, що може спричинити серйозні травми або смерть.
- Ніколи не працюйте на швидкості, вищій за максимальну номінальну швидкість бура. На високих швидкостях свердло може зігнутися, якщо дозволити йому вільно обертатися, не торкаючись заготовки, що призведе до травм.
- Акумуляторні машини не потрібно підключати до електричної розетки; отже, вони завжди в робочому стані. Будьте в курсі можливих небезпек, навіть якщо машина не працює. Будьте обережні, виконуючи технічне обслуговування чи догляд.
- Не мийте шлангом; уникайте потрапляння води в мотор та електричні з'єднання.
- Леза льодового бура дуже гострі. Будьте особливо обережні під час свердління отвору або заміни лез. Надягайте захисний кожух леза після кожного використання.
- Часто перевіряйте, чи стопорний гвинт закріплений на місці.
- Використовуйте тільки із зазначеними акумуляторними батареями та зарядними пристроями.

**Збережіть цю інструкцію.** Часто переглядайте та використовуйте їх, щоб навчати інших, хто може використовувати цей інструмент. Якщо ви надаєте комусь цю машину, надайте їм ці інструкції, щоб запобігти неналежному використанню виробу та можливим травмам.

UK

## ТЕХНІЧНІ ХАРАКТЕРИСТИКИ

Діаметр бура/свердловини	200 мм	
Максимальна глибина буріння	990 мм	
Вага (без акумулятора)	3,7 кг	
Діапазон рекомендованих робочих температур	- 20 °C ... +40 °C	
Діапазон рекомендованих температур зберігання	- 40°C ... +70°C	
Рівень звукової потужності $L_{WA}$	97,6 дБ(A) K=3 дБ(A)	
Рівень звукового тиску $L_{PA}$	89,6 дБ(A) K=3 дБ(A)	
Вібрація $a_n$	Права ручка	2,52 $m/c^2$ K=1,5 $m/c^2$
	Ліва ручка	2,45 $m/c^2$ K=1,5 $m/c^2$

- Вказане загальне значення вібрації виміряне за стандартним методом тестування та може використовуватися для порівняння однією машиною з іншою.
- Заявлене сумарне значення вібрації може також використовуватись для попередньої оцінки впливу.

**ПРИМІТКА.** Емісія вібрації під час фактичного використання машини може відрізнятись від заявленої величини, у якій використовується машина. Щоб захистити оператора, користувач повинен одягати рукавички та захисні навушники в реальних умовах використання.

## РЕКОМЕНДОВАНІ АКСЕСУАРИ

**UK**

**▲ ПОПЕРЕДЖЕННЯ.** Використовуйте тільки аксесуари, перелічені нижче. Використання приладдя, що не відповідає характеристикам оригінального обладнання, може призвести до неналежної роботи та поставити під загрозу безпеку.

НАЗВА ДЕТАЛІ	НОМЕР МОДЕЛІ
Лезо льодового бура	AB08001

## ПАКУВАЛЬНИЙ СПИСОК (РИС. А)

### ОПИС

#### ОЗНАЙОМЛЕННЯ З ЛЬОДОВИМ БУРОМ (рис. А)

1. Льодовий бур
2. Стопорний гвинт
3. Кожух леза
4. Льодовий бур
5. Шестигранний ключ (6 мм)

### ЗБИРАННЯ

#### УСТАНОВЛЕННЯ ЛЬОДОВОГО БУРА

**▲ ПОПЕРЕДЖЕННЯ.** Бур дуже гострий. Щоб запобігти травмам, будьте вкрай обережні під час очищення, встановлення або зняття бура. Завжди одягайте захисні рукавички під час виконання будь-якого технічного обслуговування лез бура.

1. Послабте та зніміть стопорний гвинт із льодового бура.
2. Установіть верхній кінець бура на приводний вал приводної головки (рис. В1).
3. Сумістіть з'єднувальні отвори на бурі та приводному валу.
4. За допомогою стопорного гвинта закріпіть льодовий бур на приводному валу. Використовуйте шестигранний ключ на 6 мм, що входить у комплект, щоб надійно затягнути стопорний гвинт (рис. В2).

В1-1	Привідний вал	В1-2	Верхній кінець льодового бура
В2-1	Привідний вал	В2-2	Стопорний гвинт
В2-3	Плоска сторона		

**ПРИМІТКА.** Переконайтеся, що стопорний гвинт вставлений у з'єднувальні отвори з плоскої сторони отвору бура.

### ЕКСПЛУАТАЦІЯ

#### ЗАСТОСУВАННЯ

Ви можете використовувати цей виріб для цілей, перелічених нижче:

- Буріння отворів у льоду за допомогою льодового бура.

## ЗАПУСК/ЗУПИНКА ЛЬОДОВОГО БУРА

Див. розділ «ЗАПУСК/ЗУПИНКА ПРИВІДНОЇ ГОЛОВКИ» в посібнику користувача приводної головки РНА7400Е.

**ПРИМІТКА.** Перед запуском виробу одягніть захисні рукавички та зніміть захисний кожух лева.

## РОБОТА З ЛЬОДОВИМ БУРОМ

### ⚠ ПОПЕРЕДЖЕННЯ.

- Перед використанням машини зверніться до місцевої комунальної служби щодо маркування підземних комунікацій, щоб уникнути контакту з ними.
- Не використовуйте льодовий бур виключно за призначенням.
- Використовуйте льодовий бур лише для буріння отворів у льоду.
- Уникайте буріння в матеріалі, який, як ви підозрюєте, містить приховані цвяхи або інші предмети, що можуть спричинити застрягання або поломку бура.
- Будьте уважні до сили реакції крутного моменту машини. Завжди зберігайте робоче положення, щоб ви могли витримати силу реакції крутного моменту.
- Будьте надзвичайно обережні, працюючи на схилах або нерівній поверхні.

**ПРИМІТКА.** Перед початком роботи переконайтеся, що в отворах або рухомих частинах не застрягли сторонні речовини (пісок, бруд тощо).

- a. Переконайтеся, що ноги міцно стоять над робочою поверхнею, і тримайте ручки близько до пояса. Міцно тримайте праву ручку правою рукою, а ліву – лівою (рис. С1).

C1-1	Права ручка	C1-2	Ліва ручка
------	-------------	------	------------

**⚠ ПОПЕРЕДЖЕННЯ.** Ніколи не тримайте праву ручку лівою рукою, а ліву – правою. Неправильне положення рук може призвести до серйозної травми (рис. С2).

**⚠ ПОПЕРЕДЖЕННЯ.** Уникайте неправильної постави (рис. С3). Не стійте занадто далеко від машини. У разі віддачі може не бути належної реакції та контролю.

- b. Тримайте бур подалі від свого тіла, і бур має бути спрямований вниз під кутом 90° до поверхні.
- c. Установіть напрямок і швидкість обертання.

- d. Підніміть машину над поверхнею. Натисніть і утримуйте кнопку блокування та натисніть на тригерний перемикач.

**⚠ ПОПЕРЕДЖЕННЯ.** Не торкайтеся бура, коли виріб увімкнено.

- e. Дайте буру набрати повну швидкість.
- f. Опустіть бур у поверхню, зберігаючи кут 90° (рис. С4). Дайте буру врізатися в матеріал, дозволяючи машині виконувати роботу.
- g. Оскільки бур починає наповнюватися сміттям, важливо постійно очищати його, щоб отримати чистий зріз і зменшити кількість необхідних зусиль – поки бур працює на повній швидкості, повільно підніміть його зі свердловини, щоб очистити сміття на бурі.
- h. Після використання цієї машини відпустіть тригерний перемикач і дочекайтеся повної зупинки бура.
- i. Залишаючи машину, наприклад під час перерви, не залишайте машину зануреною в лід і не притуляйте її до стіни. Установіть захисний кожух лева на льодовий бур і зберігайте машину в стабільному положенні.

### ПОРАДИ ЩОДО ВИКОРИСТАННЯ ЛЬОДОВОГО БУРА

- Надмірне натискання на машину не прискорить буріння. Надмірний тиск призведе лише до пошкодження бура, зниження продуктивності машини та скорочення її терміну служби.
- Свердлярчи глибоку свердловину або в глинистому ґрунті, не намагайтеся пробурити відразу. Пробуріть свердловину, піднімаючи машину вгору та опускаючи вниз так, щоб пухкий ґрунт у свердловині можна було вивантажити.
- Якщо швидкість обертання машини сповільнюється через роботу з високим навантаженням, трохи підніміть машину й рухайте її вгору та вниз, щоб бурити невеликими кроками.
- Застряглий бур можна видалити, просто перевівши бур у режим реверсу. Працюючи в реверсному режимі, притримуйте машину тілом, щоб запобігти обертанню за годинниковою стрілкою.
- Перед початком роботи зі шнековим долотом на замерзлих ставках, озерах або інших водоймах проконсультуйтеся з місцевими органами влади та вживіть усіх необхідних заходів, щоб переконаватися в безпечній товщині льоду.

UK

- Виймаючи льодовий бур з отвору, підніміть машину вертикально, щоб бур вийшов прямо, без нахилу. Щоб мінімізувати розбризкування під час буріння ополонки, негайно відпустіть тригерний перемикач, коли льодовий бур проб'є лід. Повільно підніміть машину. Накрийте та чітко позначте ополонки, щоб ніхто не ступив у неї.

## ОБСЛУГОВУВАННЯ

**⚠ ПОПЕРЕДЖЕННЯ.** Щоб запобігти серйозним травмам, вийміть акумуляторну батарею з виробу перед обслуговуванням, очищенням, заміною насадок або видаленням матеріалу з пристрою.

### ЗАГАЛЬНИЙ ТЕХНІЧНИЙ ДОГЛЯД

Не використовуйте розчинники для очищення пластмасових деталей. Більшість пластмас чутливі до різноманітних промислових розчинників і можуть бути ними пошкоджені. Для видалення бруду, пилу, мастила тощо користуйтеся чистою ганчіркою.

**⚠ ПОПЕРЕДЖЕННЯ.** Ніколи не допускайте контакту пластмасових частин із гальмівною рідиною, бензином, нафтопродуктами, проникаючими оліями і т. ін. Хімікати можуть пошкодити, ослабити або зруйнувати пластмасу, а це загрожує серйозними травмами.

### ЗАМІНА ЛЕЗ ЛЬОДОВОГО БУРА

Якщо льодовий бур підстрибує на льоду або повільно прорізає лід під час буріння ополонки, може знадобитися заміна лез льодового бура.

Необхідні інструменти: шестигранний ключ на 6 мм (входить у комплект), шестигранний ключ на 3 мм (не входить у комплект)

- Вийміть акумуляторну батарею з бура та зніміть льодовий бур із приводного вала приводної головки за допомогою шестигранного ключа на 6 мм, щоб послабити та зняти стопорний гвинт.
- Одягніть захисні рукавички та зніміть захисний кожух леза льодового бура (рис. D1).
- За допомогою шестигранного ключа на 3 мм послабте та зніміть гвинти та леза з льодового бура (Рис. D2).
- Замініть леза на нові та надійно затягніть їх.
- Установіть захисний кожух леза.

D1-1	Кожух леза	D1-2	Леза льодового бура
D2-1	Гвинт	D2-2	Льодовий бур

## ЗБЕРІГАННЯ ЛЬОДОВОГО БУРА

- Вийміть акумуляторну батарею.
- Зніміть бур із приводного вала приводної головки.
- Ретельно очистьте бур перед зберіганням.
- Установіть захисний кожух леза на льодовий бур.
- Зберігайте бур у сухому, добре вентиляваному, закритому або високо розташованому недоступному для дітей місці. Не зберігайте бур біля мінеральних добрив, бензину та інших хімікатів.

### Захист довкілля



Не викидайте електричне обладнання, акумулятор і зарядний пристрій у побутові відходи! Віднесіть цей виріб авторизованому переробнику й надайте його для роздільного збирання. Електроінструменти необхідно повернути в підприємство, що займається екологічно безпечною переробкою.

UK

## УСУНЕННЯ НЕСПРАВНОСТЕЙ

НЕСПРАВНІСТЬ	ПРИЧИНА	ВИРІШЕННЯ
Машина не запускається або несподівано зупиняється.	<ul style="list-style-type: none"> <li>■ Низька ємність акумулятора.</li> <li>■ Акумулятор перегрітий або занадто холодний.</li> <li>■ Кабель правої ручки неправильно під'єднано до кабелю приводної головки.</li> </ul>	<ul style="list-style-type: none"> <li>■ Зарядіть акумуляторну батарею.</li> <li>■ Зачекайте, доки акумуляторна батарея охолоне або нагріється, після чого бур можна запускати знову.</li> <li>■ Під'єднайте кабелі правої ручки та приводної головки, дотримуючись вказівок у розділі «УСТАНОВЛЕННЯ РУЧОК» у посібнику з експлуатації приводної головки PNA7400E.</li> </ul>
Забгато шуму та/або вібрації під час роботи.	<ul style="list-style-type: none"> <li>■ Деякі частини ослаблені.</li> </ul>	<ul style="list-style-type: none"> <li>■ Зупиніть бур, вийміть акумуляторну батарею, перевірте та затягніть ослаблені частини.</li> </ul>
Мотор працює, але бур залишається нерухомим.	<ul style="list-style-type: none"> <li>■ Ослаблений бур.</li> </ul>	<ul style="list-style-type: none"> <li>■ Установіть бур, дотримуючись вказівок у розділі «УСТАНОВЛЕННЯ ЛЬОДОВОГО БУРА» в цьому посібнику.</li> </ul>
Льодовий бур підстрибує на льоду або повільно розрізає лід.	<ul style="list-style-type: none"> <li>■ Леза затуплені або пошкоджені.</li> </ul>	<ul style="list-style-type: none"> <li>■ Замініть леза на нові, дотримуючись вказівок у розділі «ЗАМІНА ЛЕЗ ЛЬОДОВОГО БУРА» в цьому посібнику.</li> </ul>
Напрямок або швидкість обертання бура не перемикається натисканням перемикача напрямку/швидкості обертання.	<ul style="list-style-type: none"> <li>■ Перемикання напрямку обертання між прямим і зворотним можливе, тільки коли бур зупинено.</li> <li>■ Інші невстановлені причини.</li> </ul>	<ul style="list-style-type: none"> <li>■ Повністю зупиніть бур, пересуньте перемикач напрямку/швидкості обертання до потрібного обертання, а потім знову запустіть бур.</li> <li>■ Зверніться до сервісної служби EGO для ремонту.</li> </ul>

## ГАРАНТІЯ

### ПРАВИЛА ГАРАНТІЇ EGO

Відвідайте веб-сайт [egopowerplus.eu](http://egopowerplus.eu) для отримання повного тексту умов гарантійної політики EGO.

UK

## ПРОЧЕТЕТЕ ВСИЧКИ ИНСТРУКЦИИ!



### ПРОЧЕТЕТЕ РЪКОВОДСТВОТО НА ОПЕРАТОРА

**⚠ ПРЕДУПРЕЖДЕНИЕ:** За да осигурите безопасността и надеждността, всички поправки трябва да се извършват от квалифициран сервизен техник.

## СИМВОЛ ЗА БЕЗОПАСНОСТ

Целта на символите за безопасност е да привлечат вниманието към възможни опасности. Символите за безопасност и обясненията към тях заслужават вашето повишено внимание и осъзнаване. Символите за безопасност сами по себе си не елиминират каквато и да е опасност. Инструкциите и предупрежденията, които предоставят не са заместители за подходящите мерки за предотвратяване на инцидент.

**⚠ ПРЕДУПРЕЖДЕНИЕ:** Уверете се, че сте прочели и осъзнали всички инструкции за безопасност в това Ръководство на оператора, включително всички известяващи символи за безопасност, като **“ОПАСНОСТ”**, **“ПРЕДУПРЕЖДЕНИЕ”** и **“ВНИМАНИЕ”** преди да използвате този инструмент. Неспазването на всички инструкции изброени долу може да доведе до електрически удар, пожар и/или сериозно нараняване.

## ИНСТРУКЦИИ ЗА БЕЗОПАСНОСТ

Тази страница изобразява и описва символите за безопасност, които може да се появят по този продукт. Прочетете, осъзнайте и следвайте всички инструкции по машината преди предприемане на сглобяване или работа.



Сигнал за безопасност



За намаляване на опасността от нараняване, потребителят трябва да прочете ръководството на оператора.



Носете защита за очите



Носете защита за слуха



Отпадъчните електрически продукти не трябва да бъдат изхвърляни заедно с домакинския отпадък. Отнесете го до упълномощено място за рециклиране.



Този продукт е в съответствие с приложимите директиви на ЕС.



Постоянен ток



Този продукт е в съответствие с приложимото законодателство на Великобритания.

V Напрежение

kg Килограм

°C Целзий

mm Милиметър

/min Обороти в минута

IPX4 Защита от водни пръски

BG

## УКАЗАНИЯ ЗА БЕЗОПАСНА РАБОТА С МАШИНАТА

**▲ ПРЕДУПРЕЖДЕНИЕ:** Прочетете всички предупреждения за безопасност, инструкции, илюстрации и спецификации предоставени с тази машина. Неспазването на всички инструкции изброени долу може да доведе до токов удар, пожар и/или сериозно нараняване.

Запазете всички предупреждения и инструкции за бъдеща справка.

### Безопасност на работната зона

- Поддържайте работната зона чиста и добре осветена. Разхвърляни или тъмни работни зони пораждаат инциденти.
- Не работете с машини в експлозивна атмосфера, като например в присъствието на запалими течности, бензин или прах. Машините създават искри, които могат да възпламенят прах или изпарения.
- Дръжте на разстояние децата и страничните лица, докато работите с машина. Разсейването може да причини загуба на контрол.

### Електрическа безопасност

- Щепселите на машината трябва да съответстват на контакта. Никога не модифицирайте щепсела по какъвто и да е начин. Не използвайте какъвто и да е адаптер със заземени (замасени) машини. Немодифицираните щепсели и съответстващите контакти ще намалят риска от електрически шок.
- Избягвайте контакт на тялото със заземени повърхности, като тръби, радиатори, кухненски печки и хладилници. Съществува повишена опасност от токов удар, ако тялото Ви е заземено.
- Не излагайте машините на дъжд или влажни условия. Навлизането на вода в машината ще увеличи риска от токов удар.
- Не злоупотребявайте с кабела. Никога не използвайте кабела за пренасяне, изтегляне или изключване от контакта на машината. Дръжте кабела настрана от топлина, масло, остри ръбове или движещи се части. Повредени или оплетени кабели увеличават риска от електрически удар.
- Когато работите с машина на открито, използвайте удължителен кабел подходящ за употреба на открито. Употребата на кабел подходящ за употреба на открито намалява риска от електрически удар.

- Ако работата с машината на влажно място е неизбежна, използвайте захранване със защитен прекъсвач на веригата при неизправно заземяване (GFCI). Употребата на GFCI намалява риска от електрически удар.

### Лична безопасност

- Внимавайте, гледайте какво правите и използвайте здрав разум, когато работите с машина. Не използвайте машината, когато сте уморени или когато сте под влияние на наркотици, алкохол или лекарства. Момент невнимание по време на работата с машини може да доведе до сериозно нараняване.
- Използвайте лични предпазни средства. Винаги носете защитата за очите. Защитно оборудване като прахови маски, неплъзгащи се безопасно обувки, твърда каска или защита за слуха използвана при подходящи условия ще намали риска от лични наранявания.
- Предотвратете непреднамерено пускане. Уверете се, че ключът е в изключена позиция, преди да свържете към захранване и/или батерия, повдигайки или носейки машината. Пренасянето на машини с пръст върху превключвателя или включването на машини, които са с включен превключвател, води до злополуки.
- Извадете всеки регулиращ ключ или гаечен ключ, преди да включите машината. Гаечен или друг ключ оставен закачен към въртящите се части на машината може да доведе до лично нараняване.
- Не се протягайте. Запазете правилна стойка и баланс по всяко време. Това позволява по-добър контрол върху машината в непредвидени ситуации.
- Облечете се подходящо. Не носете свободни дрехи или накити. Дръжте косата и дрехите си далеч от движещи се части. Свободни дрехи, накити или дълга коса, могат да бъдат хванати в движещите се части.
- Ако са предоставени устройства за свързване на прахоуловител или съоръжения за събиране, уверете се, че те са свързани и са правилно използвани. Употребата на устройства за събиране на прах може да намали рисковете свързани с прах.
- Не позволявайте на рутината, придобита от честата употреба на машини, да позволи небрежност, небрежни и игнориране на принципите за безопасност при работа с машина. Небрежно действие може да причини сериозно нараняване за части от секундата.

BG

## Употреба и грижа за машината

- **Не пресилвайте машината. Използвайте правилната машина за вашето приложение.** Правилната машина ще свърши работата по-добре и по-безопасно при капацитета за който е проектирана.
- **Не използвайте машината, ако превключвателят не го включва и изключва.** Машина, която не може да бъде контролирана от превключвателя, е опасна и трябва да бъде поправена.
- **Разкачете щепсела от захранването и/или извадете батерията, ако може да се извади, от машината, преди да извършите настройки, смяна на аксесоари или съхраняване на машините.** Подобни превантивни мерки за безопасност намаляват риска от случайно стартиране на машината.
- **Съхранявайте неизползваните машини далеч от обсега на деца и не позволявайте на лица, които не са запознати с машината или тези инструкции, да работят с машината.** Машините са опасни в ръцете на необучени потребители.
- **Поддържайте машини и аксесоари.** Проверете за разместване или блокиране на подвижни части, счупване на части, и всякакви други условия, които могат да повлияят на работата на машината. Ако е повредена, поправете машината преди употреба. Много злополуки се причиняват от лошо поддържани машини.
- **Поддържайте режещите машини остри и чисти.** Правилно поддържани режещи машини, с остри режещи ръбове е по-малко вероятно да се заклепчат и по-лесно се контролират.
- **Използвайте машината, аксесоарите, найкрайниците на машината и т.н. в съответствие с тези инструкции, като вземете предвид условията на работа и вида работа, която ще бъде извършвана.** Употребата на машината за дейности различни от предназначениите може да доведе до опасни ситуации.
- **Дръжте ръкохватките и повърхностите за захващане сухи, чисти и без масло и грес.** Хлъзгавите ръкохватки и места за захващане не позволяват безопасно боравене и контролиране на машината при неочаквана ситуация.

## Употреба и грижа за машина на акумулаторна батерия

- **Презареждайте само със зарядното устройство определено от производителя.** Зарядно устройство, което е подходящо за един вид

акумулаторна батерия може да създаде опасност от пожар, когато се използва с друга акумулаторна батерия.

- **Използвайте машините само със специфично обозначени акумулаторни батерии.** Използването на всяка друга акумулаторна батерия може да създаде риск от нараняване и пожар.
- **Когато акумулаторните батерии не са в употреба ги дръжте на разстояние от други метални обекти, като кламери, монети, ключове, пирони, отвертки или други малки метални предмети, които могат да направят свързване между клемите.** Свързване на късо на клемите на батерията може да причини изгаряне или пожар.
- **При условия на злоупотреба, може да се изхвърли течност от батерията.** Избягвайте контакт. В случай на инцидентен контакт измийте с вода. Ако течността влезе в контакт с очите, потърсете допълнително медицинска помощ. Течността изхвърлена от батерията може да причини раздразнение или изгаряния.
- **Не използвайте акумулаторна батерия или машина, които са повредени или модифицирани.** Повредените или модифицираните батерии може да проявят непредсказуемо поведение, което да доведе до пожар, експлозия или риск от нараняване.
- **Не излагайте батерията или машината на огън или прекомерна температура.** Излагане на огън или температури над 130 °C може да причини експлозия.
- **Следвайте всички инструкции за зареждане и не зареждайте батерията или машината извън температурния обхват зададен в инструкциите.** Неправилното зареждане или зареждане извън определения температурен обхват може да повреди батерията и да повиши риска от пожар.

## Обслужване

- **Обслужвайте вашата машина чрез квалифициран техник, като използвате само идентични резервни части.** Това ще осигури поддържането на безопасност за машината.
- **Никога не поправяйте повредени акумулаторни батерии.** Ремонтът на акумулаторни батерии трябва да бъде извършван от производителя или оторизиран сервиз.

## ПРЕДУПРЕЖДЕНИЯ ЗА БЕЗОПАСНОСТ НА ШНЕКА ЗА ЛЕД

- Сменете шнековете, ако са напукани, огънати или повредени по някакъв начин. Работата с машината с повреден шнек може да доведе до сериозно нараняване.
- Никога не използвайте шнека с ръкохватки над нивото на кръста. Това ограничава контрола на шнека и може да увеличи риска от нараняване.
- Дръжте машината с две ръце за предвидените ръкохватки. Загубата на контрол може да причини телесна повреда.
- Дръжте машината само за изолираните повърхности за захващане, когато изпълнявате операция, при която изкопният аксесоар може да влезе в контакт със скрит кабел. Изкопен аксесоар в контакт с кабел под напрежение може да постави откритите метални части на машината под напрежение и може да причини на оператора електрически удар.
- За намаляване на риска от електрически удар никога не използвайте шнека близо до кабели и да било заровени електропроводи. Контактът или използването в близост до заровени електропроводи може да причини сериозно нараняване или електрически удар, водещ до смърт.
- Винаги стартирайте машината на ниска скорост и с върха на шнека в контакт със земята. При по-високи скорости е вероятно шнековият свредел да се огъне, ако се остави да се върти свободно, без да контактува със земята, което води до нараняване.
- Прилагайте натиск само в директна линия с накрайника и не прилагайте прекомерен натиск. Накрайниците могат да се огънат, причинявайки счупване или загуба на контрол, което води до нараняване.
- Винаги бъдете сигурни, че имате стабилен стоеж. Уверете се, че няма никой отдолу, когато използвате машината на високи места.
- Дръжте машината здраво.
- Дръжте ръцете си далеч от въртящи се части.
- Не оставяйте машината да работи. Работете с машината само когато я държите в ръка.
- Не докосвайте шнековия свредел веднага след работа. Може да е изключително горещ и да изгори кожата ви.

- Ако нещо не е наред с машината, като необичайни звуци, незабавно спрете да работите и се свържете с местния сервизен център за ремонт.
- За да намалите риска от експлозия, никога не използвайте шнека близо до заровени газопроводи, включително водопроводи и тръби. Контактът или използването в близост до заровени водопроводи или газопроводи може да доведе до спукване на водопроводи и експлозия от газопроводи, което може да причини сериозно нараняване или смърт.
- Никога не работете с по-висока скорост от максималната скорост на шнековия свредел. При по-високи скорости е вероятно свредлото да се огъне, ако се остави да се върти свободно, без да контактува с детайла, което води до нараняване.
- Машините работещи на батерии не е необходимо да се включват в електрически контакт, поради това те винаги са в работно състояние. Бъдете подготвени за възможни опасности, дори когато машината не работи. Бъдете внимателни, когато извършвате поддръжка или обслужване.
- Не измивайте с маркуч, избягвайте попадане на вода в мотора и електрическите връзки.
- Остриетата за лед са много остри. Бъдете изключително внимателни при пробиване на отвор или подмяна на остриетата. Поставете предпазителя на острието след всяка употреба.
- Често проверявайте и се уверете, че заключващият винт е затегнат на място.
- Използвайте само с посочените акумулаторни батерии и зарядни устройства.

**Запазете тези инструкции.** Обръщайте се често към тях и ги използвайте за инструктиране на други, които може да използват тази машина. Ако заемете тази машина на някого, заемете им и тези инструкции, за да се предотврати злоупотреба с продукта и евентуално нараняване.

## СПЕЦИФИКАЦИИ

Диаметър на шнековия свредел/отвора	200 мм	
Максимална дълбочина на пробиване	990 мм	
Тегло (без акумулаторна батерия)	3,7 кг	
Препоръчителна работна температура	-20°C - 40°C	
Препоръчителна температура на съхранение	-40°C - 70°C	
Ниво на силата на звука $L_{WA}$	97.6 dB(A)	K=3 dB(A)
Ниво на звуково налягане $L_{PA}$	89.6 dB(A)	K=3 dB(A)
Вибрации $a_n$	Дясна ръкохватка	2.52 m/s <sup>2</sup> K=1.5 m/s <sup>2</sup>
	Лява ръкохватка	2.45 m/s <sup>2</sup> K=1.5 m/s <sup>2</sup>

- Декларираният общ размер на вибрации е измерен в съответствие със стандартния метод за тест и може да бъде използван за сравнение между две машини;
- Декларираният общ размер на вибрации може също така да бъде използван за предварителна оценка на влиянието.

**БЕЛЕЖКА:** Вибрационните емисии по време на действителната употреба на машината може да се различава от декларираната стойност. С цел да се защити оператора, потребителят трябва да носи ръкавици и антифони в действителни условия на работа.

## ПРЕПОРЪЧИТЕЛНИ АКСЕСОАРИ

**⚠ ПРЕДУПРЕЖДЕНИЕ:** Използвайте само изброените по-долу аксесоари. Употребата на аксесоари, които не съответстват със спецификациите на стандартното оборудване, могат да доведат до неправилна работа и компрометирана безопасност.

ИМЕ НА ЧАСТ	НОМЕР НА МОДЕЛ
Острие за шнеков свредел за лед	AB0800I

## ОПАКОВЪЧЕН ЛИСТ (ФИГ. А)

### ОПИСАНИЕ

#### ЗАПОЗНАЙТЕ СЕ СЪС СВОЯ ШНЕКОВ СВРЕДЕЛ ЗА ЛЕЗ (ФИГ. А)

1. Шнеков свредел за лед
2. Заклучващ винт
3. Предпазител на острието
4. Острие за лед
5. Ключ с вътрешен шестостен (6 мм)

### МОНТАЖ

#### ИНСТАЛИРАНЕ НА ШНЕКОВИЯ СВРЕДЕЛ ЗА ЛЕД

**⚠ ПРЕДУПРЕЖДЕНИЕ:** Шнековият свредел е много остър. За да предотвратите нараняване, бъдете изключително внимателни, когато почиствате, монтирате или отстранявате шнековия свредел. Винаги носете защитни ръкавици, когато извършвате поддръжка на шнековия свредел.

- 1 Разхлабете и извадете заклучващия винт от шнековия свредел за лед.
- 2 Монтирайте горния край на шнековия свредел върху задвижващия вал на хранящата глава (фиг. В1).
- 3 Подравнете отворите за свързване на шнековия свредел и задвижващия вал.
- 4 Използвайте заклучващия винт, за да закрепите шнековия свредел към задвижващия вал. Използвайте предоставения 6 мм ключ за вътрешен шестостен, за да затегнете здраво заклучващия винт (фиг. В2).

V1-1	Задвижващ вал	V1-2	Горен край на шнековия свредел за лед
V2-1	Задвижващ вал	V2-2	Заклучващ винт
V2-3	Плоска страна		

**БЕЛЕЖКА:** Уверете се, че заклучващият винт е поставен в отворите за свързване от плоската страна на отвора на шнековия свредел.

BG

## ЕКСПЛОАТАЦИЯ

### ПРИЛОЖЕНИЕ

Може да използвате този продукт за целите описани долу:

- Пробиване на отвори в лед с помощта на шнековия свредел за лед.

### СТАРТИРАНЕ/СПИРАНЕ НА ШНЕКА ЗА ЛЕД

Вижте раздел “СТАРТИРАНЕ/СПИРАНЕ НА ЗАХРАНВАЩАТА ГЛАВА” в ръководството на оператора за захранваща глава PNA7400E.

**БЕЛЕЖКА:** Носете защитни ръкавици и свалете предпазителя на острието за лед, преди да стартирате продукта.

### РАБОТА С ШНЕКА ЗА ЛЕД

#### ПРЕДУПРЕЖДЕНИЕ:

- Свържете се с местната компания за подземна сервисна маркировка, преди да използвате машината, за да избегнете контакт с подземни съоръжения.
- Не използвайте шнека за лед за нищо друго освен предназначението му.
- Използвайте шнека за лед, само за да пробивате отвори в лед.
- Избягвайте да копаете в материал, за който подозирате, че съдържа скрити пирони или други неща, които могат да причинят засядане или счупване на шнековия свредел.
- Бъдете нащрек за силата на реакция на въртящия момент на машината. Винаги поддържайте работно положение, в което можете да издържите силата на реакция на въртящия момент.
- Бъдете изключително предпазливи, когато работите върху склонове или неравна земя.

**БЕЛЕЖКА:** Преди да работите, проверете дали няма чужди тела (пясък, замърсявания и др.) в отворите или движещите се части.

- Уверете се, че краката ви са здраво стъпили на работната повърхност и застанете с ръкохватките близо до кръста. Хванете здраво дясната ръкохватка с дясната си ръка и лявата ръкохватка с лявата си ръка (фиг. С1).

C1-1	Дясна ръкохватка	C1-2	Лява ръкохватка
------	------------------	------	-----------------

**ПРЕДУПРЕЖДЕНИЕ:** Никога не хващайте дясната ръкохватка с лявата си ръка, а лявата ръкохватка с дясната си ръка. Неправилната позиция

на ръцете може да доведе до сериозно нараняване (фиг. С2).

**ПРЕДУПРЕЖДЕНИЕ:** Избягвайте неправилно позициониране (фиг. С3). Не стойте твърде далеч от машината. В случай на откат може да не се постигне правилна реакция и контрол.

- Дръжте шнековия свредел далеч от тялото си и насочено надолу под ъгъл от 90° спрямо повърхността.
- Задайте посоката на въртене и скоростта на въртене.
- Повдигнете машината над повърхността. Натиснете и задръжте бутона за отключване и натиснете спусъка превключвателя.

**ПРЕДУПРЕЖДЕНИЕ:** Не докосвайте шнековия свредел, когато продуктът е включен.

- Оставете шнека да набере пълна скорост.
- Спуснете шнековия свредел в повърхността, като поддържате ъгъл от 90° (фиг. С4). Позволете на шнековия свредел да захване материала, като оставите машината да свърши работата.
- Тъй като шнековият свредел започва да се пълни с отломки, важно е постоянно да го почиствате, за да получите чист срез и да намалите необходимото усилие – докато шнекът работи на пълна скорост, бавно го повдигнете от отвора и оставете отломките да се изчистят от шнековия свредел.
- След употребата на машината освободете спусъка превключвател и оставете шнека да спре напълно.
- Когато напускате машината, например по време на почивка, не оставяйте машината вкарана в леда и не я облягайте на стена. Поставете предпазителя на острието върху шнековия свредел за лед и съхранявайте машината в стабилно положение.

### СЪВЕТИ ЗА ИЗПОЛЗВАНЕ НА ШНЕКА ЗА ЛЕД

- Прекомерното натискане на машината няма да ускори изкопането. Прекомерният натиск само ще повреди върха на шнековия свредел, ще намали производителността на машината и ще съкрати експлоатационния живот на машината.
- Когато пробивате дълбок отвор или пробивате в глинеста почва, не се опитвайте да копаете наведнъж. Копайте отвора като повдигате машината нагоре и надолу, така че рохкавата почва в отвора да може да се изхвърли.

BG

- Ако скоростта на въртене на машината се забави поради работа с голямо натоварване, повдигнете леко машината и я преместете нагоре и надолу, за да пробивате на малки стъпки.
- Заседналият шнеков бит свредел да бъде изваден просто чрез промяна на посоката на въртене на шнека, за да се отдръпне. Когато работите на заден ход, притиснете машината към тялото си, за да предотвратите реакция по посока на часовниковата стрелка.
- Преди да работите с шнеков свредел за лед върху замръзнали езера, езера или потоци, консултирайте се с местните власти и вземете всички необходими предпазни мерки, за да уверите в безопасната дебелина на леда.
- Когато изваждате шнековия свредел за лед от отвора, повдигнете машината вертикално, така че свределът да излезе напред, без да се накланя. За да сведете до минимум пръскането при пробиване на отвори в лед, освободете спусъка превключвател веднага, след като шнековият свредел за лед пробие леда. Повдигнете машината бавно. Покрийте и ясно маркирайте сондажите, за да предотвратите стъпването на някой в отвора.

## ПОДДРЪЖКА

**⚠ ПРЕДУПРЕЖДЕНИЕ:** За да предотвратите сериозно нараняване, извадете акумулаторната батерия от продукта, преди обслужване, почистване, смяна на приставките или изваждане на материал от устройството.

### ОБЩА ПОДДРЪЖКА

Избягвайте употребата на разтворители, когато почиствате пластмасовите части. Повечето пластмасови части са уязвими на повреда от различни видове разтворители в търговската мрежа и може да се повредят от тяхната употреба. Използвайте чиста кърпа за премахване на мръсотия, прах, масло, грес и т.н.

**⚠ ПРЕДУПРЕЖДЕНИЕ:** Никога не допускате спирална течност, бензин, петролни продукти, проникващи масла и т.н. да влизат в контакт с пластмасовите части. Химикалите могат да повредят, отслабят или разрушат пластмаса, което може да доведе до сериозно нараняване.

### СМЯНА НА ОСТРИЕТА ЗА ЛЕД

Ако шнекът за лед отскача от леда или пробива бавно леда при пробиване на отвори в леда, може да се наложи смяна на остриетата за лед.

Необходими инструменти: 6 мм ключ за вътрешен шестостен (предоставен), 3 мм ключ за вътрешен шестостен (не е предоставен)

1. Извадете батерията от шнека и извадете шнековия свредел за лед от задвижващия вал на захранващата глава, като използвате 6-милиметровия ключ за вътрешен шестостен, за да разхлабите и извадите заключващия винт.
2. Носете защитни ръкавици и свалете предпазителя на острието за лед (фиг. D1).
3. С помощта на 3-милиметровия ключ за вътрешен шестостен разхлабете и извадете винтовете и остриетата за лед от шнековия свредел за лед (Фиг. D2).
4. Сменете с нови остриета и ги затегнете здраво.
5. Инсталирайте предпазителя на острието.

D1-1	Предпазител на острието	D1-2	Остриета за лед
D2-1	Винт	D2-2	Острие за лед

### СЪХРАНЕНИЕ НА ШНЕКОВИЯ СВДРЕЛ ЗА ЛЕД

1. Премахнете акумулаторната батерия.
2. Отстранете шнековия свредел от задвижващия вал на захранващата глава.
3. Почистете изцяло шнековия свредел преди да го съхраните.
4. Поставете предпазителя на острието върху шнековия свредел за лед.
5. Съхранете шнековия свредел на сухо място с добра вентилация, заключен или съхраняван нависоко извън достъпа на деца. Не съхранявайте шнековия свредел в близост или върху тор, бензин или други химикали.

### Опазване на околната среда



Не изхвърляйте електрическо оборудване, използвана батерия или зарядно устройство в домакинския отпадък! Отнесете продукта до упълномощена фирма за рециклиране и го предоставете за разделно събиране. Електрическите инструменти трябва да бъдат връщани в съоръжения за рециклиране съвместими с околната среда.

## ОТСТРАНЯВАНЕ НА ПРОБЛЕМИ

ПРОБЛЕМ	ПРИЧИНА	РЕШЕНИЕ
Машината не стартира или спира неочаквано.	<ul style="list-style-type: none"> <li>■ Нисък капацитет на акумулаторната батерия.</li> <li>■ Акумулаторната батерия е прегрята или твърде студена.</li> <li>■ Кабелът на дясната ръкохватка не е свързан правилно с кабела на захранващата глава.</li> </ul>	<ul style="list-style-type: none"> <li>■ Заредете акумулаторната батерия.</li> <li>■ Изчакайте батерията да се охлади или загрее, след което шнекът може да се стартира отново.</li> <li>■ Свържете кабелите на дясната ръкохватка и захранващата глава, като следвате раздела <b>"ИНСТАЛИРАНЕ НА РЪКОХВАТКИТЕ"</b> в ръководството на оператора на захранващата глава PNA7400E.</li> </ul>
Има твърде много шум и/или вибрации по време на работа.	<ul style="list-style-type: none"> <li>■ Някои части са разхлабени.</li> </ul>	<ul style="list-style-type: none"> <li>■ Спрете шнека, извадете акумулаторната батерия, проверете и затегнете разхлабените части.</li> </ul>
Двигателят работи, но шнековият свредел остава неподвижен.	<ul style="list-style-type: none"> <li>■ Разхлабен шнеков свредел.</li> </ul>	<ul style="list-style-type: none"> <li>■ Инсталирайте отново шнековия свредел, като следвате раздела <b>"ИНСТАЛИРАНЕ НА ШНЕКОВИЯ СВРЕДЕЛ ЗА ЛЕД"</b> в това ръководство.</li> </ul>
Шнекът за лед отскача върху леда или бавно прорязва леда.	<ul style="list-style-type: none"> <li>■ Остриетата са тъпи или повредени.</li> </ul>	<ul style="list-style-type: none"> <li>■ Сменете с нови остриета, следвайки раздела <b>"СМЯНА НА ОСТРИЕТА ЗА ЛЕД"</b> в това ръководство.</li> </ul>
Посоката или скоростта на въртене на шнека не се превключва след натискане на селектора за посоката/ скоростта на въртене.	<ul style="list-style-type: none"> <li>■ Превключването на посоката на въртене между напред и назад е възможно само когато шнекът е спрял.</li> <li>■ Други неопределени причини.</li> </ul>	<ul style="list-style-type: none"> <li>■ Спрете напълно шнека, натиснете селектора за посоката/скоростта на въртене до желаното въртене и след това стартирайте шнека отново.</li> <li>■ Свържете се с EGO сервиз за ремонт.</li> </ul>

## ГАРАНЦИЯ

### ГАРАНЦИОННА ПОЛИТИКА EGO

Моля, посетете уебсайта [egopowerplus.eu](http://egopowerplus.eu) за пълните срокове и условия по гаранционната политика на EGO.

**PROČITAJTE UPUTE U CIJELOSTI!****PROČITAJTE KORISNIČKI PRIRUČNIK**

**⚠ UPOZORENJE:** Radi sigurnosti i pouzdanosti, sve popravke mora obavljati kvalificirani servisni tehničar.

**SIMBOL SIGURNOSTI**

Svrha simbola sigurnosti je skretanje pozornosti na moguće opasnosti. Simboli sigurnosti i njihova objašnjenja zahtijevaju vašu potpunu pozornost i razumijevanje. Simboli upozorenja ne isključuju opasnost sami po sebi. Upute i upozorenja koja pružaju nisu zamjena za propisne mjere za prevenciju nezgoda.

**⚠ UPOZORENJE:** Prije korištenja ovog alata, s razumijevanjem pročitajte sve sigurnosne upute u ovom priručniku za rukovatelja, uključujući sve sigurnosne simbole kao što su „**OPASNOST**“, „**UPOZORENJE**“ i „**OPREZ**“. Zanemarivanje uputa navedenih u nastavku može rezultirati električnim udarom, požarom i/ili teškim tjelesnim ozljedama.

**SIGURNOSNE NAPOMENE**

Na ovoj stranici slikovno su prikazani i objašnjeni simboli sigurnosti koji se mogu pojaviti na ovom proizvodu. Prije sastavljanja i rukovanja s razumijevanjem pročitajte sve upute na stroju i pridržavajte ih se.



Upozorenje u vezi sigurnosti



Radi smanjenja opasnosti od ozljeda korisnik treba pročitati korisnički priručnik.



Nosite zaštitu za oči.



Nosite zaštitu za sluh



Otpadni električni proizvodi ne smiju se odlagati s otpadom iz kućanstva. Odnosite ih u ovlaštenu centar za recikliranje.



Ovaj proizvod je u skladu s važećim direktivama EU.



Istosmjerna struja



Ovaj je proizvod u skladu s važećim zakonodavstvom UK.

V Napon

kg Kilogram

°C Celzij

mm Milimetar

/min Brzina vrtnje

IPX4 Zaštita od prskanja vode

## OPĆA UPOZORENJA O SIGURNOSTI STROJA

**⚠ UPOZORENJE:** Pročitajte sva upozorenja, upute, ilustracije u vezi sigurnosti i tehničke podatke isporučene s ovim strojem. Zanemarivanje svih uputa navedenih u nastavku može rezultirati električnim udarom, požarom i/ili teškim ozljedama.

Sačuvajte sva upozorenja i sve upute za buduće potrebe.

### Sigurnost radnog područja

- Radno područje održavajte čistim i dobro osvijetljenim. Pretrpana ili mračna područja izazivaju nezgode.
- Strojeve ne upotrebljavajte u eksplozivnim okruženjima, primjerice u prisutnosti zapaljivih tekućina, plinova ili prašine. Strojevi stvaraju iskre koje mogu zapaliti prašinu ili isparenja.
- Udaljite djecu i promatrače za vrijeme rada sa strojem. Ometanja mogu rezultirati gubitkom kontrole nad alatom.

### Sigurnost od električnog udara

- Utikači stroja moraju odgovarati utičnici. Nemojte raditi preinake na utikaču. Utikače s adapterom nemojte koristiti s uzemljenim strojevima. Nepreinačeni utikači i odgovarajuće utičnice smanjit će rizik od električnog udara.
- Izbjegavajte kontakt tijela s uzemljenim površinama, kao što su slavine, radijatori, peći i hladnjaci. Rizik od električnog udara je veći ako je tijelo uzemljeno.
- Ne izlažite strojeve kiši ili vlažnim uvjetima. Prodiranje vode u stroj povećat će rizik od električnog udara.
- Kabel nemojte upotrebljavati nepropisno. Kabel nemojte upotrebljavati za nošenje, povlačenje ili iskopčavanje stroja. Kabel držite podalje od topline, ulja, oštih rubova ili pokretnih dijelova. Oštećeni ili isprepleteni kabeli povećavaju rizik od električnog udara.
- Kada strojem radite na otvorenom, upotrebljavajte produžni kabel prikladan za upotrebu na otvorenom. Upotrebom kabela prikladnog za upotrebu na otvorenom smanjuje se rizik od električnog udara.
- Ako je rad sa strojem u vlažnom području neizbježan, upotrebljavajte napajanje s uređajem za zaštitu od dozemnog spoja. Uporabom uređaja za zaštitu od dozemnog spoja smanjuje se rizik od električnog udara.

### Osobna sigurnost

- Budite oprezni, gledajte što radite i vodite se načelima zdravog razuma kada radite sa strojem. Nemojte raditi sa strojem ako ste umorni ili pod utjecajem opojnih sredstava, alkohola ili lijekova. Trenutak nepažnje tijekom rada s uređajem može dovesti do teške tjelesne ozljede.
  - Upotrebljavajte osobnu zaštitnu opremu. Nosite zaštitu za oči. Zaštitna oprema poput maske za zaštitu od prašine, protuklizne sigurnosne obuće, kacige ili zaštitne za sluh upotrijebljena za prikladne uvjete smanjit će tjelesne ozljede.
  - Spriječite nenamjerno pokretanje. Prije spajanja na izvor napajanja i/ili baterijski modul, podizanja ili nošenja stroja provjerite nalazi li se sklopka u isključenom položaju. Nošenje strojeva s prstom na sklopki ili napajanje strojeva koji imaju uključenu sklopku izaziva nesreće.
  - Prije uključivanja stroja uklonite sve ključeve za podešavanje ili ključeve za stezanje. Ako se ključ za stezanje ili za podešavanje ostavi na rotacijskom dijelu stroja, to može rezultirati tjelesnim ozljedama.
  - Nemojte se naginjati preko alata. Cijelo vrijeme održavajte propisno držanje i ravnotežu. To će omogućiti bolju kontrolu nad strojem u neočekivanim situacijama.
  - Obucite se prikladno. Nemojte nositi široku odjeću i nakit. Kosu i odjeću držite dalje od pokretnih dijelova. Pokretni dijelovi mogu zahvatiti široku odjeću, nakit ili dugu kosu.
  - Ako su uređaji opremljeni priključkom za odvod i sakupljanje prašine, pobrinite se da se propisno spoje i upotrebljavaju. Upotrebom sustava za sakupljanje prašine mogu se umanjiti opasnosti koje se odnose na prašinu.
  - Nemojte dopustiti da vas poznavanje stroja stečeno čestom upotrebom učini samodopadnim te da ignorirate sigurnosna načela za stroj. Nepažljiv rad može rezultirati teškim ozljedama u djeliću sekunde.
- ### Upotreba i održavanje stroja
- Nemojte preopterećivati stroj. Koristite odgovarajući stroj za primjenu. Propisan stroj bolje će i sigurnije obaviti zadatak brzinom za koju je konstruiran.
  - Ne upotrebljavajte stroj ako ga sklopkom ne možete uključiti i isključiti. Svaki stroj koji ne možete sklopkom uključiti i isključiti je opasan i mora se popraviti.

- **Prije podešavanja, zamjene pribora ili skladištenja strojeva odvojite utikač od izvora napajanja i/ili uklonite baterijski modul, ako je odvojiv.** Takve preventivne sigurnosne mjere smanjuju rizik od slučajnog pokretanja stroja.
- **Neaktivan stroj čuvajte izvan dohvata djece i ne dopustite osobama koje nisu upoznate s strojem ili ovim uputama da upravljaju strojem.** Strojevi su opasni u rukama neobučениh korisnika.
- **Održavajte strojeve i pribor.** Provjerite jesu li pokretni dijelovi centrirani ili spojeni, ima li polomljenih dijelova i postoji li stanje koje može utjecati na rad stroja. Ako je stroj oštećen, popravite ga prije uporabe. Mnoge nezgode su nastale upravo zbog slabog održavanja stroja.
- **Rezne strojeve održavajte oštirim i čistima.** Propisno održavani rezni strojevi s oštirim reznim bridovima manje su skloni zaglavljivanju i njima se lakše upravlja.
- **Stroj, pribor, strojne nastavke i sl., upotrebljavajte u skladu s ovim uputama, uzimajući u obzir radne uvjete i zadatak koji je potrebno obaviti.** Upotreba stroja za radnje za koje nije namijenjen može rezultirati opasnim situacijama.
- **Rukohvate i površinu rukohvata održavajte suhim, čistim i očišćenim od ulja i masti.** Skliske ručke i površine rukohvata onemogućuju sigurno rukovanje i upravljanje strojem u neočekivanim situacijama.

## Upotreba i održavanje baterijskog stroja

- **Punjenje obavljajte samo s punjačem kojeg je naveo proizvođač.** Punjač koji je prikladan za jedan tip baterijskog modula može izazvati rizik od požara ako ga se upotrebljava s drugim baterijskim modulom.
- **Strojeve upotrebljavajte samo s izričito propisanim baterijskim modulima.** Upotreba drugih baterijskih modula može izazvati rizik od ozljeda i požara.
- **Kad se baterijski modul ne upotrebljava, držite ga podalje od drugih metalnih predmeta poput spajalica za papir, kovanica, ključeva, čavala, vijaka ili drugih malih metalnih predmeta koji mogu međusobno spojiti kontakte.** Kratko spajanje baterijskih kontakata može prouzročiti opekline ili požar.
- **U slučaju neprimjerene uporabe, baterija može izbaciti tekućinu; izbjegavajte kontakt. Ako slučajno dođe do doticaja, mjesta doticaja isperite vodom. Ako tekućina dođe u doticaj s očima, dodatno potražite pomoć liječnika.** Tekućina koju izbaci baterija može prouzročiti nadražaj kože ili opekline.
- **Ne upotrebljavajte baterijski modul ili stroj koji je oštećen ili preinačen.** Oštećene ili preinačene baterije mogu pokazati nepredvidljivo ponašanje koje

može rezultirati požarom, eksplozijom ili opasnošću od ozljeda.

- **Baterijski modul ili stroj ne izlažite vatri ili visokim temperaturama.** Izlaganje vatri ili temperaturi višoj od 130 °C može prouzročiti eksploziju.
- **Pridržavajte se svih uputa za punjenje, a baterijski modul ili stroj nemojte puniti izvan raspona temperature navedenog u uputama.** Nepropisno punjenje ili punjenje pri temperaturama izvan okvira određenog raspona može oštetiti bateriju i povećati opasnost od požara.

## Servis

- **Servisiranje stroja prepustite kvalificiranom osoblju za popravak koje koristi samo identične zamjenske dijelove.** Time će se osigurati održavanje sigurnosti stroja.
- **Ne servisirajte oštećene baterijske module.** Servisiranje baterijskog modula smiju obavljati samo proizvođač ili ovlašteni serviseri.

## SIGURNOSNA UPOZORENJA U VEZI SVRDLA ZA LED

- **Zamijenite svrdla ako su napuknuta, savijena ili na bilo koji način oštećena.** Ako upotrebljavate stroj s oštećenim svrdlom, može doći do teških ozljeda.
- **Nemojte koristiti svrdlo s ručkama iznad razine struka.** Tako se ograničava kontrola nad svrdlom i povećava opasnost od ozljeda.
- **Držite stroj objema rukama za predviđene ručke.** Gubitak kontrole može uzrokovati tjelesne ozljede.
- **Stroj držite za izolirane površine za držanje prilikom izvođenja radnje tijekom koje rezni nastavak može dodirnuti skrivene žice.** Ako dodatak za kopanje dotaknu kabel koji pod naponom, postoji opasnost da neizolirani metalni dijelovi električnog alata isto dođu pod napon što za rukovatelja može predstavljati opasnost od električnog udara.
- **Ne koristite svrdlo u blizini ukopanih električnih kabela da biste smanjili opasnost od električnog udara.** Doticaj s električnim vodovima ili korištenje u njihovoj blizini može prouzročiti teške ozljede ili smrtonosni električni udar.
- **Počnite bušiti pri niskoj brzini i s vrhom svrdla u kontaktu s tlom.** Pri višim brzinama svrdlo se može saviti ako se dopusti slobodno okretanje bez doticanja tla, što može rezultirati tjelesnim ozljedama.

- **Primijenite pritisak samo u izravnoj liniji sa svrdlom i nemojte primjenjivati prekomjerni pritisak.** Svrdla se mogu saviti i prouzročiti lom ili gubitak kontrole, što može rezultirati tjelesnim ozljedama.
- **Obvezno osigurajte čvrsto oslonac.** Budite sigurni da nitko nije ispod vas kada koristite stroj na visokom mjestu.
- **Čvrsto držite stroj.**
- **Držite ruke dalje od rotirajućih dijelova.**
- **Ne ostavljajte stroj u radu. Upravljajte strojem samo kada ga držite u ruci.**
- **Nemojte dodirivati svrdlo neposredno nakon rada.** Može biti jako vruće i može opeći kožu.
- **Ako nešto nije u redu sa strojem, poput neuobičajenih zvukova, odmah prestanite s radom i obratite se lokalnom servisnom centru radi popravka.**
- **Ne koristite svrdlo u blizini ukopanih plinovoda ili vodovodnih vodova i cijevi da biste smanjili opasnost od eksplozije.** Upotreba u blizini ukopanih vodovodnih ili plinskih vodova ili dodir s istima može dovesti do pucanja vodovodnih vodova i eksplozije plinskih vodova te, posljedično, teških ozljeda ili smrti.
- **Nemojte raditi pri brzini višoj od maksimalne brzine svrdla.** Pri višim brzinama svrdlo se može saviti ako se dopusti slobodno okretanje bez doticanja obratka, što može rezultirati tjelesnim ozljedama.
- **Baterijske strojeve nije potrebno uključivati u električnu utičnicu, stoga su oni uvijek u radnom stanju. Imajte na umu moguće opasnosti čak i kada stroj ne radi.** Budite pažljivi pri obavljanju radova održavanja ili servisiranja.
- **Uređaj ne perite s crijevom; izbjegavajte da voda dospije u motor i električne priključke.**
- **Noževi za led vrlo su oštri. Budite iznimno oprezni kada bušite rupu ili mijenjate noževe. Postavite štitičnik noža nakon svake upotrebe.**
- **Često provjeravajte je li vijak za fiksiranje pričvršćen na mjestu.**
- **Upotrebljavajte isključivo preporučene baterijske module i punjače.**

**Sačuvajte ove upute.** Uputama se koristite često i upotrebljavajte ih za upućivanje drugih osoba koje mogu upotrebljavati ovaj stroj. Ako ovaj stroj nekom posudite, posudite i ove upute radi sprečavanja neispravnog korištenja proizvoda i mogućih ozljeda.

## TEHNIČKI PODACI

Promjer svrdla/rupe	200 mm	
Maksimalna dubina bušenja	990 mm	
Masa (bez baterijskog modula)	3,7 kg	
Preporučena radna temperatura	- 20 °C - 40 °C	
Preporučena temperatura skladištenja	- 40 °C - 70 °C	
Razina zvučne snage $L_{WA}$	97.6 dB(A) K=3 dB(A)	
Razina zvučnog tlaka $L_{PA}$	89.6 dB(A) K=3 dB(A)	
Vibracija $a_h$	Desna drška	2.52 m/s <sup>2</sup> K=1.5 m/s <sup>2</sup>
	Lijeva drška	2.45 m/s <sup>2</sup> K=1.5 m/s <sup>2</sup>

- Deklarirane ukupne vrijednosti vibracija izmjerene su u skladu sa standardnom metodom ispitivanja i mogu se koristiti za usporedbu jednog stroja s drugim.
- Deklarirane ukupne vrijednosti vibracija mogu se koristiti i u preliminarnoj procjeni izloženosti.

**OBAVIJEST:** Emisija vibracija tijekom stvarnog korištenja stroja može se razlikovati od deklarirane vrijednosti u kojoj se stroj koristio; Radi zaštite rukovatelja, korisnik mora nositi rukavice i štitičnike za uši u stvarnim uvjetima korištenja.

## PREPORUČENA DODATNA OPREMA

**⚠ UPOZORENJE:** Koristite samo dodatnu opremu navedenu u nastavku. Korištenje dodatne opreme koja nije u skladu s tehničkim podacima za izvornu opremu može rezultirati nepravilnim radom i smanjenom sigurnošću.

NAZIV DIJELA	BRJ. MODELA
Nož svrdla za led	AB0800I

## PAKIRANJE (SLIKA A)

### OPIS

#### UPOZNAJTE SVOJE SVRDLO ZA LED (slika A)

1. Svrdo za led
2. Vijak za fiksiranje
3. Štitnik noža
4. Nož za led
5. Imbus ključ (6 mm)

### SASTAVLJANJE

#### POSTAVLJANJE SVRDLA ZA LED

**⚠ UPOZORENJE:** Svrdo je vrlo oštro. Kako biste spriječili tjelesne ozljede, budite izuzetno oprezni prilikom čišćenja, postavljanja ili uklanjanja svrdla. Obavezno nosite zaštitne rukavice prilikom održavanja svrdla.

1. Otpustite i uklonite vijak za fiksiranje sa svrdla za led.
2. Montirajte gornji kraj svrdla na pogonsko vratilo pogonske glave (slika B1).
3. Centrirajte spojne rupe na svrdlu i pogonskom vratilu.
4. Vijakom za fiksiranje učvrstite svrdlo na pogonsko vratilo. Isporučenim imbus ključem veličine 6 mm dobro zategnite vijak za fiksiranje (slika B2).

B1-1	Pogonsko vratilo	B1-2	Gornji kraj svrdla za led
B2-1	Pogonsko vratilo	B2-2	Vijak za fiksiranje
B2-3	Ravna strana		

**⚠ OBAVIJEST:** Uvjerite se da je vijak za fiksiranje umetnut u priključne otvore na ravnoj strani otvora svrdla.

### RAD

#### PRIMJENA

Proizvod možete koristiti za svrhe navedene u nastavku:

- Bušenje rupa u ledu svrdlom za led.

HR

#### POKRETANJE/ZAUSTAVLJANJE SVRDLA ZA LED

Pogledajte odjeljak „**POKRETANJE/ZAUSTAVLJANJE POGONSKE GLAVE**” u korisničkom priručniku pogonske glave PHA7400E.

**⚠ OBAVIJEST:** Nosite zaštitne rukavice i uklonite štitnik noža za led prije pokretanja proizvoda.

#### UPOTREBA SVRDLA ZA LED

##### ⚠ UPOZORENJE:

- Obratite se lokalnoj komunalnoj službi za označavanje podzemnih usluga prije korištenja stroja kako biste izbjegli kontakt s podzemnim vodovima.
- Nemojte koristiti svrdlo za led za bilo što drugo osim za predviđenu svrhu.
- Koristite svrdlo za led samo za bušenje rupa u ledu.
- Nemojte kopati u materijalu za koji sumnjate da sadrži skrivene čavle ili druge predmete koji bi mogli uzrokovati zaglavljivanje ili lomljenje svrdla.
- Pazite na silu reakcije zakretnog momenta stroja. Uvijek održavajte radni položaj u kojem možete izdržati silu reakcije zakretnog momenta.
- Budite vrlo oprezni pri radu na padinama ili neravnoj površini.

**⚠ OBAVIJEST:** Prije upotrebe provjerite ima li stranih tvari (pijesak, prljavština, itd.) u otvorima ili pokretnim dijelovima.

- a. Provjerite jesu li stopala čvrsto postavljena iznad radne površine i stanite tako da su ručke blizu struka. Desnom rukom čvrsto držite desnu ručku, a lijevom lijevu ručku (slika C1).

C1-1	Desni rukohvat	C1-2	Lijevi rukohvat
------	----------------	------	-----------------

**⚠ UPOZORENJE:** Desnu ručku nemojte držati lijevom rukom, a lijevu desnom rukom. Nepravilan položaj ruku može dovesti do teških ozljeda (slika C2).

**⚠ UPOZORENJE:** Izbjegavajte nepropisno pozicioniranje (slika C3). Nemojte stajati predaleko od stroja. U slučaju povratnog udarca, možda neće biti moguće pravilno reagirati i ostvariti kontrolu nad uređajem.

- b. Držite svrdlo podalje od svog tijela, usmjerite ga prema dolje pod kutom od 90° u odnosu na površinu.
- c. Postavite smjer i brzinu okretanja.
- d. Podignite stroj iznad površine. Pritisnite i zadržite gumb za zaključavanje i pritisnite uklopni okidač.

**⚠ UPOZORENJE:** Ne dirajte svrdlo dok je proizvod uključen.

- e. Pričekajte da svrdlo dosegne punu brzinu.
- f. Spustite svrdlo u površinu održavajući kut od 90° (slika C4). Dopustite svrdlu da uđe u materijal i omogućite stroju da odradi svoj posao.
- g. Važno ga je stalno čistiti svrdlo kako bi rez bio čist i kako biste smanjili količinu potrebnog napora, jer se svrdlo puni otpacima – dok svrdlo radi punom brzinom, polako ga podignite iz rupe i omogućite čišćenje otpadaka sa svrdla.

- h. Nakon upotrebe stroja, otpustite okidačku sklopku i pričekajte da se svrdlo potpuno zaustavi.
- i. Prilikom napuštanja stroja, primjerice tijekom stanke, nemojte ostavljati stroj ukopan u led niti ga naslanjati na zid. Postavite štitnik noža na svrdlo za led i odložite stroj u stabilnom položaju.

### SAVJETI ZA KORIŠTENJE SVRDLA ZA LED

- Pretjerano pritiskanje stroja neće ubrzati kopanje. Pretjerano pritiskanje samo će oštetiti svrdlo, smanjiti radnu učinkovitost stroja i skratiti njegov životni vijek.
- Nemojte pokušavati odjednom izbušiti duboku rupu ili bušiti u glinastom tlu. Iskopajte rupu podizanjem stroja gore-dolje tako da se rahla zemlja iz rupe može isprazniti.
- Ako se brzina okretanja stroja uspori zbog rada pod velikim opterećenjem, malo podignite stroj i pomičite ga gore-dolje kako biste bušili u malim koracima.
- Zaglavljeno svrdlo moguće je ukloniti postavljanjem smjera okretanja svrdla na suprotnu postavku. Prilikom vožnje unatrag, poduprite stroj svojim tijelom kako biste spriječili reakciju u smjeru kazaljke na satu.
- Prije upotrebe svrdla za led na zaleđenom ribnjaku, jezeru ili potoku, provjerite kod lokalnih vlasti koja je sigurna debljina leda i poduzmite sve potrebne mjere opreza kako biste je osigurali.
- Kada vadite svrdlo za led iz rupe, podignite stroj okomito tako da svrdlo izađe ravno bez naginjanja. Kako biste smanjili prskanje prilikom bušenja rupa u ledu, odmah otpustite okidačku sklopku kada svrdlo za led probije led. Polako podignite stroj. Pokrijte i jasno označite bušotine kako biste spriječili da netko uđe u rupu.

### ODRŽAVANJE

**⚠ UPOZORENJE:** Da ne bi došlo do teške tjelesne ozljede, prije servisiranja, čišćenja, promjene priključaka ili uklanjanja materijala iz uređaja izvadite baterijski modul iz proizvoda.

#### OPĆE ODRŽAVANJE

Pri čišćenju plastičnih dijelova izbjegavajte upotrebu otapala. Većina plastičnih materijala podložna je oštećenju od različitih vrsta komercijalnih otapala i mogu se oštetiti u slučaju njihove upotrebe. Za uklanjanje nečistoće, prašine, ulja, masti i sl. upotrijebite čistu krpu.

**⚠ UPOZORENJE:** Nemojte dopustiti da kočione tekućine, benzin, proizvodi na bazi nafte, prodorna ulja i sl., dođu u doticaj s plastičnim dijelovima. Kemijska sredstva mogu oštetiti, oslabiti ili uništiti plastiku što može rezultirati teškim tjelesnim ozljedama.

### ZAMJENA NOŽA ZA LED

Ako svrdlo za led skače po ledu ili sporo reže led prilikom bušenja rupa u zaleđenju površini, možda je potrebno zamijeniti noževe za led.

Potrebni alati: Imbus ključ veličine 6 mm (isporučen), imbus ključ veličine 3 mm (nije isporučen)

1. Uklonite baterijski modul iz svrdla i svrdlo za led s pogonskog vratila pogonske glave imbus ključem veličine 6 mm kako biste olabavili i uklonili vijak za fiksiranje.
2. Nosite zaštitne rukavice i uklonite štitnik noževe za led (slika D1).
3. Imbus ključem veličine 3 mm otpustite i uklonite vijke i noža za led sa svrdla za led. (Slika D2).
4. Zamijenite ih novim noževima i čvrsto ih zategnite.
5. Postavite štitnik noža.

D1-1	Štitnik noža	D1-2	Noževi za led
D2-1	Vijak	D2-2	Nož za led

### SKLADIŠTENJE SVRDLA ZA LED

1. Uklonite baterijski modul.
2. Uklonite svrdlo s pogonskog vratila pogonske glave.
3. Prije skladištenja dobro očistite svrdlo.
4. Postavite štitnik noža na svrdlo za led.
5. Svrdlo skladištite na suhom, dobro prozračenom mjestu koje je moguće zaključati ili koje je na visini izvan dohvata djece. Svrdlo nemojte skladištiti u blizini gnojiva, benzina ili drugih kemijskih tvari ili u njihovoj blizini.

### Zaštita okoliša



Električnu opremu, iskorištenu bateriju i punjač ne odlažite u otpad iz kućanstva! Ovaj proizvod odnesite u ovlašteni centar za reciklažu i time omogućite odvojeno sakupljanje. Električne alate potrebno je vratiti u ekološki prihvatljiv pogon za reciklažu.

## RJEŠAVANJE PROBLEMA

PROBLEM	UZROK	RJEŠENJE
Stroj se ne može pokrenuti ili se neočekivano zaustavlja.	<ul style="list-style-type: none"> <li>■ Nizak kapacitet baterijskog modula.</li> <li>■ Baterijski modul je pregrijan ili prehladan.</li> <li>■ Kabel desne ručke nije ispravno spojen s kabelom pogonske glave.</li> </ul>	<ul style="list-style-type: none"> <li>■ Napunite baterijski modul.</li> <li>■ Pričekajte da se baterijski modul ohladi ili zagrije, tek tada ponovno pokrenite svrdlo.</li> <li>■ Spojite kabele desne ručke i pogonske glave sukladno uputama u odjeljku „<b>POSTAVLJANJE RUČKI</b>“ u korisničkom priručniku pogonske glave PHA7400E.</li> </ul>
Tijekom rada ima previše buke i/ili vibracija.	<ul style="list-style-type: none"> <li>■ Neki dijelovi su labavi.</li> </ul>	<ul style="list-style-type: none"> <li>■ Zaustavite rad svrdla, uklonite baterijski modul, provjerite i zategnite labave dijelove.</li> </ul>
Motor radi, ali svrdlo ostaje nepomično.	<ul style="list-style-type: none"> <li>■ Labavo svrdlo.</li> </ul>	<ul style="list-style-type: none"> <li>■ Ponovno postavite svrdlo sukladno uputama u odjeljku „<b>POSTAVLJANJE SVRDLA ZA LED</b>“ u ovom priručniku.</li> </ul>
Svrdlo za led skače po ledu ili ga polako reže.	<ul style="list-style-type: none"> <li>■ Noževi su tupi ili oštećeni.</li> </ul>	<ul style="list-style-type: none"> <li>■ Zamijenite noževe novima prema uputama u odjeljku „<b>ZAMJENA NOŽEVA ZA LED</b>“ u ovom priručniku.</li> </ul>
Smjer ili brzina vrtnje svrdla ne mijenja se nakon pritiska na regulator smjera/brzine okretanja.	<ul style="list-style-type: none"> <li>■ Promjena smjera okretanja (naprijed/natrag) moguća je samo ako je svrdlo zaustavljeno.</li> <li>■ Ostali neutvrđeni uzroci.</li> </ul>	<ul style="list-style-type: none"> <li>■ Potpuno zaustavite svrdlo, gurnite regulator smjera/brzine okretanja na željenu postavku i zatim ponovno pokrenite svrdlo.</li> <li>■ Za popravak se obratite servisu tvrtke EGO.</li> </ul>

## JAMSTVO

### PRAVILA U VEZI JAMSTVA TVRTKE EGO

Cjelokupne uvjete i odredbe pravila jamstva tvrtke EGO potražite na web-mjestu [egopowerplus.eu](http://egopowerplus.eu).

## ნაიკითხეთ მთლიანი ინსტრუქცია!



გაეცანით მომხმარებლის ინსტრუქციას

**⚠ გაფრთხილება:** უსაფრთხოებისა და საიმედოობის უზრუნველსაყოფად, ყველა სახის შეკეთება უნდა ჩატარდეს ტექ. მომსახურების კვალიფიციური სპეციალისტის მიერ.

## უსაფრთხოების სიმბოლოები

უსაფრთხოების სიმბოლოების მიზანია ყურადღების გამახვილება შესაძლო საფრთხეებზე. ყურადღებით გაეცანით უსაფრთხოების სიმბოლოებს და მათ შესაბამის განმარტებებს. საშიშროების აღმნიშვნელი სიმბოლოები თავისთავად არ ანიცტრალებს რაიმე საფრთხის არსებობის რისკს. მათ მიერ მოწოდებული მითითებები და გაფრთხილებები არ არიან შემთხვევის თავიდან აცილების სწორი პროცედურის შემცველები.

**⚠ გაფრთხილება:** მოწყობილობის გამოყენებამდე ყურადღებით გაეცანით აღნიშნულ სახელმძღვანელოში მოცემულ უსაფრთხოების წესებს, მათ შორის, ყველა უსაფრთხოების სიმბოლოს, როგორცაა „საშიშროება“, „გაფრთხილება“ და „ყურადღება“. ქვემოთ ჩამოთვლილი მითითებების შეუსრულებლობამ შეიძლება გამოიწვიოს დენის დარტყმა, ცეცხლის გაჩენა და/ან სხეულის სერიოზული დაზიანება.

## უსაფრთხოების ინსტრუქციები

ამ გვერდზე გამოსახულია და აღწერილია უსაფრთხოების სიმბოლოები, რომლებიც შეიძლება გამოჩნდეს მოცემულ პროდუქტზე. წაიკითხეთ, გაიგეთ და დაიცავით აპარატის ყველა ინსტრუქცია აწყობისა და ექსპლუატაციის დაწყებამდე.



გამაფრთხილებელი ნიშანი



დაზიანების რისკის შესამცირებლად მომხმარებელმა უნდა წაიკითხოს მომხმარებლის სახელმძღვანელო.



გაიკეთეთ თვალეზის დამცავი



გაიკეთეთ ყურების დამცავი



ელექტრო ხელსაწყოს ნარჩენები არ გადაყაროთ საყოფაცხოვრებო ნარჩენებთან ერთად. წაიღეთ შესაბამის გადამამუშავებელ საწარმოში.



მოწყობილობა შეესაბამება EC-ის მოქმედ რეგულაციებს.



მუდმივი დენი



აღნიშნული ხელსაწყო აკმაყოფილებს გაერთიანებული სამეფოს კანონმდებლობით დადგენილ მოთხოვნებს.

V ძაბვა

kg კილოგრამი

°C ცელსიუსი

mm მილიმეტრი

/min ბრუნი წუთში

IPX4 დაცვა წყლის მცირე ოდენობით გადასხმის შემთხვევაში

KA

## ზოგადი გაფრთხილებები უსაფრთხოების შესახებ

**▲ გაფრთხილება:** გაეცანით ამ მოწყობილობასთან დაკავშირებულ უსაფრთხოების ყველა მითითებას, ინსტრუქციას, ილუსტრაციას და სპეციფიკაციას. ქვემოთ ჩამოთვლილი ყველა ინსტრუქციის უგულვებელყოფამ შესაძლოა გამოიწვიოს ელექტრო შოკი, ხანძარი და/ან მოგაყენოთ სერიოზული ზიანი.

შეინახეთ ყველა მითითება და ინსტრუქცია სამომავლოდ გამოყენებისთვის.

### სამუშაო სივრცის უსაფრთხოება

- დაიცავით სამუშაო სივრცის სისუფთავე და იქონიეთ კარგი განათება. ჩახერგილი ან ბნელი სამუშაო სივრცე იწვევს ინციდენტებს.
- არ ამუშაოთ მოწყობილობა ფეთქებად საშიშ ატმოსფეროში, როგორცაა აალებადი სითხეები, ბენზინი ან მტვერი. მოწყობილობა წარმოქმნის ნაპერწკალს, რომელმაც შესაძლოა აანთოს მტვერი ან აირი.
- ელექტრო ხელსაწყოთ სარგებლობისას მორიდდეთ მას ზავშეები და სხვა პირები. ყურადღების გაფანტვას შეუძლია გამოიწვიოს მოწყობილობაზე კონტროლის დაკარგვა.

### ელექტრო უსაფრთხოება

- მოწყობილობის დენის ჩანგალი უნდა ერგებოდეს შტეფსელის როზეტს. არასოდეს გაუკეთოთ მოწყობილობის დენის ჩანგალს მოდიფიცირება. არ გამოიყენოთ ადაპტორები ისეთი ხელსაწყოების დენის ჩანგალზე, რომელსაც აქვს დამიწება. არსებული დენის ჩანგალი და მისი შესაბამისი შტეფსელის არსებობა ამცირებს ელექტრული შოკის რისკს.
- მოერიდეთ სხეულით დამიწებული საგნების ზედაპირებთან კონტაქტს, როგორცაა მილები, რადიატორები, ქურები და მაცივრები. ელექტრული შოკის მიღების რისკი იზრდება თუ თქვენი სხეული დამიწებულია.
- არ გამოიყენოთ მოწყობილობა წვიმაში ან სველ გარემოში. ხელსაწყოში შესული წყალი ზრდის დენის დარტყმის რისკს.

- არ დააზიანოთ დენის სადენი. არასოდეს გამოიყენოთ სადენი ხელსაწყო სატარებლად, მოსაქაჩად ან შტეფსელიდან ამოსართველად. დაიცავით დენის სადენი სიმბურვალისგან, ზეთისგან, მჭრელი და მოძრავი საგნებისგან. დაზიანებული ან გადახლართული დენის სადენი ზრდის ელექტრო შოკის რისკს.
- მოწყობილობის გარეთ სარგებლობისთვის გამოიყენეთ დამაგრებლებელი, რომელიც ვარგისია გარეთ მუშაობისთვის. გარეთ მუშაობისთვის შესაბამისი ელექტრო სადენის გამოყენება ამცირებს ელექტრული შოკის რისკს.
- თუ მოწყობილობის ნესტიან გარემოში მუშაობა გარდაუვალია, გამოიყენეთ დამიწებაზე დამოკლებისას წრდის ამორთვის დაცვის მქონე კვების წყარო. GFCI-ის გამოყენება ამცირებს ელექტრული შოკის რისკს.

### პირადი უსაფრთხოება

- მოწყობილობის გამოყენებისას იყავით ფიზიკურად, იმოქმედეთ დაკვირვებით და სადი აზრის გათვალისწინებით. არ გამოიყენოთ მოწყობილობა, როდესაც ხართ დაღლილი, ან ალკოჰოლის, მედიკამენტების ან ნარკოტიკების ზემოქმედების ქვეშ. მოწყობილობით სარგებლობისას მყისიერმა უყურადღებობამ შეიძლება მოგაყენოთ სერიოზული პირადი ზიანი.
- გამოიყენეთ პერსონალური დამცავი აღჭურვილობა. ყოველთვის გაიკეთეთ თვალების დამცავი. შესაბამის სამუშაო პირობებში დამცავი საშუალებების გამოყენება, როგორცაა მტვრის საწინააღმდეგო ნიღაბი, მოცურების საწინააღმდეგო ფეხსაცმელი, მყარი ჩაფხუტი ან სმენის დამცავი, ამცირებს სამუშაო ტრავმებს.
- მოწყობილობის დაუფგემავე ჩართვის ადკვეთა. დაწმუნდით, რომ ჩამრთველი არის გამორთულ მდგომარეობაში მოწყობილობის დენში და/ან აკუმულატორთან შეერთებამდე, ხელსაწყოს მალა აწევაზე ან ტარებამდე. მოწყობილობის ტარება ჩამრთველის ლილაკზე დადებული თითით ან დენში ჩართული მოწყობილობის ტარება, რომელსაც გააქტიურებული აქვს ჩართვის ლილაკი, იწვევს უბედურ შემთხვევას.
- მოხსენით ნებისმიერი მიმავრებული

KA

**ატრიბუტი ან ქაჩის გასაღები**  
**მოწყობილობის ჩართვამდე.** მოწყობილობის მბრუნავ ნაწილზე დამაგრებულმა ქაჩის გასაღებმა ან სხვა ატრიბუტმა შესაძლოა მოგაყენოთ სხეულის დაზიანება.

- **ზედმეტად არ გადაიხაროთ.** ყოველთვის დაიცავით ზალანსი და მყარად იდევით ვეზზე. ეს გაძლევთ საშუალებას, მოახდინოთ მოწყობილობის უკეთესი კონტროლი მოულოდნელ სიტუაციებში.
- ჩაიცვით შესაბამისად. არ ჩაიცვით განიერი, ფრიალა ტანსაცმელი და არ გაიკეთოთ სამკაულები. მოარიდეთ თმა და ტანსაცმელი მოძრავ ნაწილებს. განიერი, ფრიალა ტანსაცმელი, ძვირფასეულობა და თმა შესაძლოა ჩაითრიოს მოძრავმა ნაწილებმა.
- თუ არსებობს მტვრის ან ნარჩენების შემაკავშირებელი მოწყობილობები და შემგროვებელი საშუალებები, დარწმუნდით, რომ ისინი სწორადაა შეერთებული და გამოყენებული. მტვრისთვის შემგროვებისთვის განკუთვნილი საშუალებების გამოყენებამ შესაძლოა შეამციროს მასთან დაკავშირებული საფრთხეები.
- მსგავს მოწყობილობებთან ხშირი მუშაობის დროს არ გათამამდეთ და არ უგულვებელყოთ ხელსაწყო უსაფრთხოების პრინციპების დაცვა. გაუფრთხოებელმა საქციელმა წამის მეთაღმდეგ კი შესაძლოა მოგიტანოთ სერიოზული ზიანი.

**მოწყობილობის გამოყენება და მოვლა**

- არ დაატანოთ ძალა მოწყობილობას. გამოიყენეთ მართებული მოწყობილობა თქვენი მიზნებისთვის. მართებული მოწყობილობა უკეთ და უფრო უსაფრთხოდ გააკეთებს იმ საქმეს, რომლისთვისაც განკუთვნილია.
- არ გამოიყენოთ მოწყობილობა, თუ მისი ჩართვა და გამორთვა ჩამრთველით არ ხდება. მოწყობილობა, რომელიც ვერ კონტროლდება ჩამრთველით, სახიფათოა და საჭიროებს შეკეთებას.
- გათიშეთ დენის ჩანგალი შტეფსელიდან და/ან მოხსენით აკუმულატორის ბლოკი მოწყობილობას, თუ ეს შესაძლებელია, ნებისმიერი რეგულირებისას, ნაწილის ცვლილებისას ან ხელსაწყო შენახვამდე. მსგავსი პრევენციული უსაფრთხოების ზომები ამცირებს მოწყობილობის უცაბედი ჩართვის რისკს.

- გამორთული მოწყობილობები შეინახეთ ზავშეებისთვის მიუწვდომელ ადგილას და არ მისცეთ მოწყობილობის გამოყენების უფლება მისი სარგებლობის არმცოდნე ან მის ინსტრუქციაში ჩაუხედავ პირებს. მოწყობილობა გამოუცდელი პირების ხელში სახიფათოა.
- გაუფრთხილდით მოწყობილობებს და მის ნაწილებს. შეამოწმეთ მოძრავი და შემაკავშირებელი ნაწილების ურთიერთწინაველება, ნაწილების დაზიანება და სხვა მდგომარეობა, რომელმაც შეიძლება გავლენა იქონიოს მოწყობილობის მუშაობაზე. დაზიანების შემთხვევაში, გამოყენებამდე შეაკეთეთ მოწყობილობა. ბევრი ინციდენტი გამოწვეულია ცუდად მოვლილი მოწყობილობის გამო.
- სათიბი მოწყობილობები იქონიეთ მოვლილ და სუფთა მდგომარეობაში. სათანადოდ მოვლილი სათიბი მოწყობილობები ბასრი პირით ნაკლებად პრობლემურია და მათი კონტროლიც უფრო ადვილია.
- გამოიყენეთ ეს მოწყობილობა, მისი ნაწილები, დამჭერები და ა.შ. ინსტრუქციების შესაბამისად, სამუშაო გარემოს და შესასრულებელი სამუშაოს ტიპის გათვალისწინებით. მოწყობილობის არადანიშნულებისამებრ გამოყენებამ შესაძლოა შექმნას სახიფათო სიტუაცია.
- სახელურები და ხელის ჩასაჭიდი სხვა ზედაპირები იქონიეთ მშრალ და სუფთა მდგომარეობაში, მათ შორის ცხიმისა და ზეთის გარეშე. სრიალა სახელურები და ხელის ჩასაჭიდი ზედაპირები არ იძლევა მოწყობილობის უსაფრთხოდ გამოყენების და კონტროლის საშუალებას მოულოდნელ სიტუაციებში.

**აკუმულატორის გამოყენება და მოვლა**

- დატენთ მხოლოდ მწარმოებლის მიერ მითითებული დამტენი მოწყობილობით. დამტენმა მოწყობილობამ, რომელიც თავსებადია ერთი ტიპის აკუმულატორის ბლოკთან, შესაძლოა წარმოშვას ხანძრის გაჩენის რისკი სხვა აკუმულატორზე გამოყენებისას.
- გამოიყენეთ მოწყობილობა მხოლოდ სპეციალურად მისთვის განკუთვნილი აკუმულატორის ბლოკებით. სხვა აკუმულატორის ბლოკების გამოყენებამ შესაძლოა წარმოშვას ფიზიკური დაზიანების ან ხანძრის რისკი.

KA

- როდესაც აკუმულატორის ბლოკს არ იყენებთ, მოაცილეთ იგი ლითონის საგნებს, როგორცაა ქაღალდის სამაგრიბი, მონეტა, გასაღები, ლურსმანი, ხრახნი ან სხვა მცირე ზომის ლითონის საგნები, რომელთაც შეუძლიათ მოახდინონ შეერთება ერთი ტერმინალიდან მეორეში. აკუმულატორის კლემების ზედდებამ შეიძლება გამოიწვიოს დამწვრობები ან ხანძარი.
- არასწორი მოპყრობის შემთხვევაში, აკუმულატორიდან შეიძლება სითხემ გამოიწვიოს; მოერიდეთ მასთან შეხებას. შემთხვევითი კონტაქტისას, შეხების არეალი წყლით ჩამოიხანეთ. სითხის თვალებთან კონტაქტის შემთხვევაში, ექიმს მიმართეთ. აკუმულატორიდან გამოყოფილმა სითხემ შესაძლოა გამოიწვიოს გაღიზიანება ან დამწვრობა.
- არ გამოიყენოთ აკუმულატორის ბლოკი ან ხელსაწყო, რომელიც დაზიანებული ან გადაკეთებულია. დაზიანებულმა ან გადაკეთებულმა აკუმულატორმა შესაძლოა გამოავლინოს არაპროგნოზირებადი ქცევა, რამაც შეიძლება გამოიწვიოს ხანძარი, აფეთქება ან პირადი ზიანი.
- არ მოათავსოთ აკუმულატორის ბლოკი ან ხელსაწყო ცეცხლთან ან მაღალ ტემპერატურაზე. ცეცხლმა ან 130 °C-ზე მაღალმა ტემპერატურამ შესაძლოა გამოიწვიოს აფეთქება.
- მიყევით დატენის ინსტრუქციებს და არ დატენოთ აკუმულატორის ბლოკი ინსტრუქციაში მითითებული ტემპერატურის დიაპაზონის გარეთ. აკუმულატორის არასწორი ან ინსტრუქციაში მითითებული ტემპერატურის ფარგლებს მიღმა დამუხტვამ შეიძლება დააზიანოს აკუმულატორი და გაზარდოს ხანძრის რისკი.

### მომსახურება

- მოწყობილობის ტექნომსახურება შესარულდებინეთ კვალიფიციურ პირს მხოლოდ იდენტურ სათადარიგო ნაწილების გამოყენებით. მსგავსი პროცედურა უზრუნველყოფს მოწყობილობის უსაფრთხოდ მუშაობას.
- არასოდეს შეაკეთოთ დაზიანებული აკუმულატორის ბლოკები. აკუმულატორების შეკეთება უნდა უზრუნველყოს მხოლოდ მწარმოებელმა ან ავტორიზებულმა სერვის პროვაიდერებმა.

## გაფრთხილება ცინულის საბურღის უსაფრთხოების შესახებ

- შეცვალეთ საბურღი ნაწილი, თუ ის გაზარდულია, გაღუნულია, ან დაზიანებულია სხვაგვარად. აპარატის დაზიანებული საბურღი ნაწილით მუშაობამ შეიძლება გამოიწვიოს სერიოზული დაზიანება.
- არასოდეს გამოიყენოთ საბურღი აპარატი სახელურებით წელის დონიდან ზემოთ. ეს ზღუდავს საბურღი აპარატის მართვას და შეიძლება გაზარდოს ტრავმის რისკი.
- დაიჭირეთ ხელსაწყო ორივე ხელით შესაბამისი სახელურებით. მართვის დაკარგვამ შესაძლოა მოგაყენოთ ფიზიკური ზიანი.
- დაიჭირეთ ხელსაწყო მხოლოდ იზოლაციის მქონე ხელჩასაჭიდი ზედაპირით, როცა მუშაობთ ისეთ ადგილას, სადაც საბურღი აქსესუარი შესაძლოა შეეხოს დაფარულ დენის სადენს. საბურღი აქსესუარმა, რომელიც ეხება მოწყობილობის გამტარ მავთულს, შეიძლება დენი გაატაროს ხელსაწყოს გამტარ ნაწილებში და გამოიწვიოს ოპერატორის ელექტრო შოკი.
- ელექტრო შოკის მიღების რისკის შესამცირებლად, არასოდეს გამოიყენოთ საბურღი აპარატი ნებისმიერი ელექტრო სადენის სიახლოვეს. დამარხოვ დენის სადენებთან შეხებამ ან მათ ახლოს მოწყობილობის გამოყენებამ შესაძლოა გამოიწვიოს სერიოზული ზიანი ან ფატალური ელექტრული შოკი.
- ყოველთვის ჩართეთ მანქანა დაბალ სიჩქარეზე ისე, რომ საბურღი ნაწილის წვერი მიწას ეხებოდეს. უფრო მაღალ სიჩქარეზე საბურღი ნაწილი გადაიღუნება, თუ ის იტრიალებს თავისუფლად, მიწასთან შეხების გარეშე.
- გამოიყენეთ მალა საბურღი ნაწილის მიმართ პირდაპირი ხაზის სახით და არ გამოიყენოთ ზედმეტი ძალა. საბურღი ნაწილი შეიძლება მოიღუნოს, რაც გამოიწვევს გატეხვას ან კონტროლის დაკარგვას, რასაც შეიძლება მოჰყვეს ფიზიკური დაზიანება.
- მუდამ დადექით მყარად. დარწმუნდით, რომ არავინ არის ქვემოთ, როდესაც მანქანას მაღალ ადგილებში იყენებთ.
- დაიჭირეთ ხელსაწყო მყარად.

KA

- მუდამ მთავრად ხელები მბრუნავ ნაწილებს.
- არ დატოვოთ ხელსაწყო ჩართულ მდგომარეობაში. მართეთ ხელსაწყო მხოლოდ მაშინ, როცა ხელში გიჭირავთ.
- არ შეეხოთ საბურღ ნაწილს მუშაობის შეჩერებიდან დაუყოვნებლივ. ის შეიძლება იყოს ძალიან ცხელი და დაწვას თქვენი კანი.
- თუ მანქანას რაღაც პრობლემა აქვს, როგორცაა არანორმალური ხმების გამოცემა, დაუყოვნებლივ შეწყვიტეთ მუშაობა და დაუკავშირდით ადგილობრივ სერვის ცენტრს მის გასარემონტებლად.
- აფეთქების რისკის შესამცირებლად, არასოდეს გამოიყენოთ საბურღი მოწყობილობა ჩამარბულ გაზსადენებთან, აგრეთვე წყალსადენებთან და მილებთან ახლოს. ჩამარბულ წყალსადენთან ან გაზსადენთან შეხებამ ან მათ სიახლოვეს გამოიწვიოს შეიძლება გამოიწვიოს წყალსადენების გასკდომა და გაზსადენების აფეთქება, რასაც შეიძლება მოჰყვეს სერიოზული ზიანი ან სიკვდილი.
- არასოდეს ამუშაოთ მოწყობილობა უფრო მაღალი სიჩქარით, ვიდრე მიწის საბურღის დასაშვები მაქსიმალური სიჩქარეა. უფრო მაღალ სიჩქარეზე მუშაობისას, თუ ის თავისუფლად ტრიალებს და სამუშაო ზედაპირს არ ეხება, საბურღი ნაწილი გადაილუნება და შეიძლება გამოიწვიოს ვიზიკური ზიანი.
- აკუმულატორზე მომუშავე მანქანების ელექტრო ქსელში შეერთება არ არის აუცილებელი; ისინი ყოველთვის მუშა მდგომარეობაში არიან. გაითვალისწინეთ შესაძლო საფრთხეები მაშინაც კი, როცა ხელსაწყო არ არის ჩართული. გამოიჩინეთ სიფრთხილე, როდესაც ახდენთ ხელსაწყოს შეკეთებას ან ტექნიკურ სერვისს.
- არ გარეცხოთ ხელსაწყო წყლის მილით; მოერიდეთ მოტორში და ელექტრულ შეერთებებში წყლის მოხვედრას.
- ყინულის საჭრელი პირები ძალიან მასრია. განსაკუთრებული სიფრთხილე გამოიჩინეთ ხერხელის გაბურღვისას ან პირების გამოცვლისას. ყოველი გამოყენების შემდეგ საჭრელ პირებს ჩამოაცივთ დამცავი.
- ხშირად შეამოწმეთ და დარწმუნდით, რომ საკეტი ხრახნი დამაგრებულია ადგილზე.
- გამოიყენეთ მხოლოდ რეკომენდებული

**აკუმულატორების ბლოკები და დამტენები.**

**შეინახეთ ეს მითითებები.** ხშირად იხელმძღვანელოთ მითითებებით და ასწავლეთ ისინი სხვებს, ვისაც სურთ ამ ხელსაწყოს გამოყენება. თუ ათხოვებთ ხელსაწყოს სხვა პირს, ასევე ათხოვთ მას ეს მომხმარებლის ინსტრუქცია, რათა აღკვეთოთ ხელსაწყოს არასათანადო გამოყენება და შესაძლო ზიანი.

**სპეციფიკაციები**

საბურღი მოწყობილობა/ ხერხელის დიამეტრი	200 მმ	
ბურღვის მაქსიმალური სიღრმე	990 მმ	
წონა (აკუმულატორების ბლოკის გარეშე)	3,7 კგ	
რეკომენდებული საექსპლუატაციო ტემპერატურა	-20°C - 40°C	
რეკომენდებული დასაწყობების ტემპერატურა	-40°C - 70°C	
ხმის სიმძლავრის დონე L <sub>WA</sub>	97.6 dB(A) K=3 dB(A)	
ხმოვანი წნევის დონე L <sub>PA</sub>	89.6 dB(A) K=3 dB(A)	
ვიბრაცია a <sub>h</sub>	მარჯვენა სახელური	2.52 m/s <sup>2</sup> K=1.5 m/s <sup>2</sup>
	მარცხენა სახელური	2.45 m/s <sup>2</sup> K=1.5 m/s <sup>2</sup>

- მითითებული ვიბრაციის სრული სიდიდე გაზომილია სტანდარტული ტესტირების მეთოდის გამოყენებით და შესაძლოა გამოყენებულ იქნას ერთი მოწყობილობის მეორესთან შედარებისას;
- მითითებული ვიბრაციის სრული სიდიდე ასევე შესაძლოა გამოყენებულ იქნას ზემოქმედების წინასწარი შეფასებისას.

**KA**

**გაფრთხილება:** ელექტრო ხელსაწყოს ფაქტობრივი გამოყენებისას ვიბრაციის ემისია შესაძლოა განსხვავდებოდეს მითითებული სიდიდისგან; ოპერატორის დაცვის

მიზნით, მომხმარებელმა მოწყობილობით სარგებლობისას საჭიროა გამოიყენოს ხელთათმანები და სმენის დამცავი.

## რეკომენდებული აქსესუარები

**▲ გაფრთხილება:** გამოიყენეთ მხოლოდ ქვემოთ ჩამოთვლილი აქსესუარები. ისეთი აქსესუარების გამოყენებამ, რომლებიც არ აკმაყოფილებს ორიგინალი ნაწილების სპეციფიკაციებს, შესაძლოა გამოიწვიოს მოწყობილობის არასათანადო მუშაობა და უსაფრთხოების ნორმების დარღვევა.

ნაწილის დასახელება	მოდელის ნომერი
ყინულის საბურღი აპარატის საჭრელი პირი	AB0800I

## შეფუთვის ფურცელი (ნახ. ა)

### აღწერილობა

გაეცანით თქვენს ყინულის საბურღ აპარატს (ნახ. A)

1. ყინულის საბურღი აპარატი
2. ჩამკეტი ხრახნი
3. დანის დამცავი
4. ყინულის საჭრელი პირი
5. ექვსწახნაგა შლიცის გასადები (6მმ)

### ნაკრები

ყინულის საბურღი მოწყობილობის დამონტაჟება

**▲ გაფრთხილება:** ხერხის ჯაჭვი ძალიან ბასრია. ფიზიკური ტრავმის თავიდან ასაცილებლად, გამოიჩინეთ განსაკუთრებული სიფრთხილე საბურღი წვერის წმენდისას, დამონტაჟებისას ან მოხსნისას. ყოველთვის გაიკეთეთ დამცავი ხელთათმანები საბურღი მოწყობილობაზე რაიმე სახის ტექ. სამუშაოს ჩატარებისას.

1. მოუშვით და მოხსენით მომჭერი ხრახნი ყინულის საბურღი მოწყობილობიდან.

2. დაამაგრეთ საბურღი მოწყობილობის ზედა ბოლო ძალური თავაკის ამძრავ ლილვზე (ნახ. B1).
3. გაასწორეთ შემაერთებელი ხვრელები საბურღ მოწყობილობასა და ამძრავ ლილვზე.
4. გამოიყენეთ ჩამკეტი ხრახნი, რათა დაამაგროთ საბურღი მოწყობილობა ამძრავის ლილვზე. გამოიყენეთ კომპლექტში არსებული ექვსწახნაგა შლიცის გასადები, რათა მყარად მოუჭიროთ მომჭერ ხრახნს (ნახ. B2).

B1-1	ამძრავი ლილვი	B1-2	ყინულის საბურღი მოწყობილობის ზედა ბოლო
B2-1	ამძრავი ლილვი	B2-2	ჩამკეტი ხრახნი
B2-3	ბრტყელი მხარე		

**გაფრთხილება:** დარწმუნდით, რომ ჩამკეტი ხრახნი ჩასმულია შემაერთებელ ხვრელებში საბურღი მოწყობილობის ხვრელის ბრტყელი მხრიდან.

## მუშაობა

### გამოყენება

თქვენ შეგიძლიათ გამოიყენოთ მოწყობილობა ქვემოთ ჩამოთვლილი მიზნებისთვის:

- ყინულზე ხვრელების გაბურღვა ყინულის საბურღის გამოყენებით.

**ყინულის საბურღი აპარატის ამუშავება/გამორთვა** იხილეთ „ძალური თავაკის ჩართვა/გამორთვა“ PHA7400E ძალური თავაკის მომხმარებლის ინსტრუქციაში.

**გაფრთხილება:** ჩაიცვით დამცავი ხელთათმანები და მოწყობილობის ამუშავებამდე მოხსენით ყინულის საჭრელი პირის დამცავი.

**ყინულის საბურღი აპარატი მუშაობა**

### ▲ გაფრთხილება:

- მოწყობილობის გამოყენებამდე დაუკავშირდით ადგილობრივ კომუნალურ

სერვისების კომპანიას მიწისქვეშა კომუნიკაციების მარკირებისთვის, რათა თავიდან აიცილოთ მიწისქვეშა კომუნიკაციებთან შეხება.

- ნუ გამოიყენებთ ყინულის საბურღი მოწყობილობას სხვა მიზნით, გარდა მისი დანიშნულებისა.
- გამოიყენებთ ყინულის საბურღი მოწყობილობა მხოლოდ ყინულში ხვრელების გასაბურღად.
- მოერიდეთ ისეთ მასალის გაბურღვას, რომელიც შეიძლება შეიცავდეს დამალულ ლურსმნებს ან სხვა საგნებს, რამაც შეიძლება გამოიწვიოს საბურღი წვერის გაღუნვა ან დამსხვრევა.
- ფრთხილად იყავით აპარატის ბრუნვის რეაქციის ძალასთან მიმართებით. ყოველთვის შეინარჩუნებთ ისეთი სამუშაო პოზიციას, რომ გაუძღოთ ბრუნვის რეაქციის ძალას.
- გამოიჩინეთ განსაკუთრებული ყურადღება, როდესაც მუშაობთ ფრედოზე ან უსწორმასწორო ზედაპირებზე.

**გაფრთხილება:** ექსპლუატაციის დაწყებამდე შეამოწმეთ, რომ ღიობებში ან მოძრავ ნაწილებში უცხო ნივთიერებები (ქვიშა, ჭუჭყი და ა.შ.) არ იყოს ჩარჩენილი.

- ა. ფეხები მყარად განათავსებთ სამუშაო ზედაპირზე და დადგით ისე, რომ სახელურები წელთან ახლოს იყოს. მყარად მოკვიდეთ მარჯვენა ხელი მარჯვენა სახელურს და მარცხენა ხელი მარცხენა სახელურს (ნახ. C1).

C1-1	მარჯვენა სახელური	C1-2	მარცხენა სახელური
------	-------------------	------	-------------------

**▲ გაფრთხილება:** არასდროს დაიჭიროთ მარცხენა სახელური მარჯვენა ხელში და მარჯვენა სახელური მარცხენა ხელში. ხელის არასწორმა პოზიციამ შეიძლება გამოიწვიოს სხეულის სერიოზული დაზიანება (ნახ. C2).

**▲ გაფრთხილება:** მოერიდეთ არასწორი პოზიციის შერჩევას (ნახ. C3). არ დადგეთ მოწყობილობიდან ძალიან შორს. სათანადო რეაქცია და კონტროლი შეიძლება ვერ მოახერხოთ უკუდარტყმის შემთხვევაში.

- ბ. დაიჭირებთ საბურღი მოწყობილობა

თქვენი სხეულისგან მოშორებით, ქვემოთ მიმართული წვერით, ზედაპირიდან 90° კუთხით.

- გ. დააყენებთ ბრუნვის მიმართულება და სიჩქარე.
- დ. აწიებთ მოწყობილობა ზედაპირიდან მაღლა. დააჭირებთ და დააყოვნებთ თითო განმბლოკავ დილაკს, შემდეგ დააჭირებთ თითო ტრიგერ ჩამრთველს.

**▲ გაფრთხილება:** პროდუქტის ჩართვისას არ შეეხოთ საბურღის წვერს.

- ე. მიეცით საბურღი მოწყობილობას სრული სიჩქარის აკრეფის შესაძლებლობა.
- ვ. ჩაუშვით საბურღი მოწყობილობის წვერი ზედაპირში ისე, რომ შეინარჩუნოთ 90° კუთხე (ნახ. C4). ჩაასვით საბურღი მოწყობილობის პირი მასალაში და მიეცით მოწყობილობას სამუშაოს შესრულების შესაძლებლობა.
- ზ. როდესაც საბურღი მოწყობილობის წვერი იწყებს ნამსხვრევებით შევსებას, მნიშვნელოვანია მისი გამუდმებით გაწმენდა, რათა ჭრა იყოს სუფთა და საჭირო არ გახდეს ზედმეტი ძალისხმევის გამოყენება - როცა საბურღი მოწყობილობა მუშაობს სრული სიჩქარით, ნელა ამოსწიეთ იგი ხვრელიდან, რათა ნაწილაკები ჩამოიყაროს საბურღი მოწყობილობის წვერიდან.

თ ამ მოწყობილობის გამოყენების შემდეგ აუშვით ტრიგერის გადამრთველი და გააჩერებთ მოწყობილობა სრულად.

- ი. როცა ტოვებთ მოწყობილობას, მაგალითად, შესვენების დროს, არ დატოვოთ ის ყინულში ჩასმული სახით ან ნუ მიაყუდებთ კედელზე. ყინულის საბურღის წვერს გაუკეთეთ საჭრელი პირის დამცავი და შეინახეთ მოწყობილობა სტაბილურ პოზიციასში.

**ყინულის საბურღის გამოყენებასთან დაკავშირებული რჩევები**

- მანქანაზე ზედმეტი ძალით დაჭერის შემთხვევაში ბურღვა არ დაჩქარდება. გადაჭარბებული ზეწოლა მხოლოდ იწვევს

KA

საბურღი წვერის დაზიანებას, იწვევს მოწყობილობის მუშაობის შესუსტებას და ამცირებს მოწყობილობის საექსპლუატაციო ვადას.

- ღრმა ხვრელის გაბურღვისას ან თიხის ნიადაგში ბურღვისას, ნუ ეცდებით ერთი დარტყმით გაბურღვას. გაბურღეთ ხვრელი მოწყობილობის აწევით და ქვევით დაწევით ისე, რომ ნახვრეტში არსებული ფხვიერი ნიადაგის მოცილება შესაძლებელი იყოს.
- თუ მოწყობილობის ბრუნვის სიჩქარე შენელებდა მაღალი დატვირთვით მუშაობის გამო, ასწიეთ მოწყობილობა ოდნავ ზევით და ამომრავეთ ზევით და ქვევით, რათა გაბურღოთ მცირე ნაბიჯებით.
- გაჭედული საბურღი მოწყობილობის ამოღება შესაძლებელია უკუსვლით ბრუნვის ჩართვით, რათა შეძლოთ უკუსვლით ამოღება. უკუსვლისას დაიჭირეთ მოწყობილობა თქვენი სხეულით, რათა თავიდან აიცილოთ საათის საწინააღმდეგო მიმართულების რუკეცია.
- გაყინულ გუბებზე, ტბებზე ან ნაკადულებზე ყინულის საბურღი მუშაობის დაწყებამდე, შეამოწმეთ ადგილობრივ ორგანოებთან და მიიღეთ ყველა საჭირო ზომა ყინულის უსაფრთხო სისქის უზრუნველსაყოფად.
- ნახვრეტიდან ყინულის საბურღის ამოღებისას მოწყობილობა ვერტიკალურად ასწიეთ ისე, რომ საბურღი წვერი პირდაპირ გამოვიდეს დახრის გარეშე. ყინულის ხვრელების გაბურღვისას შემხვევების შესამცირებლად, დაუყოვნებლივ აუშვით თითო თრიგერი ჩამრთველისგან, როდესაც ყინულის საბურღი ყინულს ფენაში გავა. აწიეთ მოწყობილობა ნელა. დააფარეთ საფარი და მკაფიოდ მოინიშნეთ ჭაბურღილები, რათავინმე არ ჩავარდეს შიგნით.

## ტექნიკური მომსახურება

**▲ გაფრთხილება:** სერიოზული პერსონალური დაზიანებისგან თავის არიდების მიზნით, მოხსენით აკუმულატორი ხელსაწყოს ტექნიკური სერვისის, გაწმენდის, მისამარებელი ელემენტების შეცვლის ან ნარჩენი ნივთიერების მოცილების დროს.

KA

## ზოგადი სახის ტექნიკური მომსახურება

მოერიდეთ გამხსნელების გამოყენებას მოწყობილობის პლასტმასის ნაწილების გაწმენდისას. პლასტმასების უმეტესობა ადვილად ზიანდება მათზე სხვადასხვა სახის კომერციული გამხსნელების გამოყენების შედეგად. გამოიყენეთ სუფთა ტილო ტალახის, მტვრის, ზეთის, ცხიმის და სხვ. მოსაცილებლად.

**▲ გაფრთხილება:** არცერთ შემთხვევაში არ მისცეთ სამუხრუჭე სითხეს, ბენზინს, ნავთობის ბაზაზე დამზადებულ პროდუქტებს ან სხვა ძლიერ გამხსნელებს და ა.შ. იყვენ პლასტმასის ნაწილებთან კონტაქტში. ქიმიურმა ნაერთებმა შესაძლოა დააზიანოს, გაცივოს და დაშალოს პლასტმასი, რამაც შეიძლება მოგაყენოთ სერიოზული ზიანი.

## ყინულის საჭრელი პირების შეცვლა

თუ ყინულის საბურღი დახტის ყინულზე ან ნელა ბურღავს ყინულს, შესაძლოა საჭირო იყოს მისი პირების შეცვლა.

საჭირო ინსტრუმენტები: 6 მმ ექსცნახნავა შლიცის გასაღები (მოწოდებულია), 3 მმ ექსცნახნავა შლიცის გასაღები (არ არის მოწოდებული)

1. ამოიღეთ აკუმულატორის ბლოკი მოწყობილობიდან და მოხსენით საბურღი მოწყობილობის წვერი ძალური თავაკის ამმრავი ლილვიდან 6მმ ექსცნახნავა შლიცის გასაღების გამოყენებით ჩამკეტი ხრახნის მოშვებისა და მოხსნის გზით.
2. ჩაიცვით დამცავი ხელთათმანები და მოხსენით ყინულის საჭრელი პირის დამცავი (ნახ. D1).
3. 3 მმ ექსცნახნავა შლიცის გასაღების გამოყენებით მოუშვით და ამოიღეთ ხრახნები და ყინულის საჭრელი პირები ყინულის საბურღი მოწყობილობიდან (ნახ. D2).
4. დააყენეთ ახალი საჭრელი პირები და მაგრად მოუჭირეთ.
5. საჭრელი პირის დამცავის დაყენება.

D1-1	დანის დამცავი	D1-2	ყინულის საჭრელი პირები
------	---------------	------	------------------------

D2-1	ხრახნი	D2-2	ყინულის საჭრელი პირი
------	--------	------	-------------------------

**ყინულის საბურღი აპარატის შენახვა**

1. მოხსენით აკუმულატორი.
2. ამოიღეთ საბურღი მოწყობილობის წვერი ძალური თავაკის წამყვანი ლილვიდან.
3. შენახვამდე საგულდაგულოდ გაწმინდეთ საბურღი მოწყობილობა.
4. წამოაცვით საჭრელი პირის დამცავი ყინულის საბურღის წვერს.
5. შეინახეთ ხელსაწყო მშრალ, კარგად განიავეზად ადგილას ჩაკეტილ და მაღლა განთავსებულ სათავსოში, ბავშვებისთვის მიუწვდომელ ადგილას. არ შეინახოთ ხელსაწყო სასუქის, ბენზინის და სხვა ქიმიური ნივთიერებების სიახლოვეს.

**გარემოს დაცვა**



არ მოათავსოთ ელექტრო მოწყობილობა, ნახმარი დამტენი და აკუმულატორი საყოფაცხოვრებო ნაგავში! მიუტანეთ პროდუქტი ნარჩენების ავტორიზირებულ გადამამუშავებელს და უზრუნველყავით ასეთი ნარჩენის განცალკევებულად შეგროვება. ელექტრო ხელსაწყოები უნდა ჩაბარდეს ნარჩენების გადამამუშავებელ ობიექტს.

**KEES VAN DER SPEK**  
TUIN EN PARKMACHINES \* TER AAR

**KA**

## დიაგნოსტიკა

პრობლემა	მიზეზი	გადაჭრის გზა
მოწყობილობა ვერ ირთვება ან ჩერდება მოულოდნელად.	<ul style="list-style-type: none"> <li>დამჯდარია აკუმულატორის ბლოკი.</li> <li>აკუმულატორის ბლოკი გადახურდა ან ძალიან ცივია.</li> <li>მარჯვენა სახელურის კაბელი სწორად არ არის დაკავშირებული დენის თავაკის კაბელთან.</li> </ul>	<ul style="list-style-type: none"> <li>დატენეთ აკუმულატორის ბლოკი.</li> <li>დაელოდეთ აკუმულატორის გაცივებას ან გაცხელებას, რა დროსაც შესაძლებელი იქნება მოწყობილობის ხელახლა ჩართვა.</li> <li>შეერთეთ მარჯვენა სახელურის კაბელები და დენის თავაკი „სახელურების დაყენება“ ნაწილის შესაბამისად, რომელიც PHA7400E ძალური თავაკის ოპერატორის სახელმძღვანელოშია მოცემული.</li> </ul>
მუშაობის დროს არის ძალიან დიდი ხმაური და/ან ვიბრაცია.	<ul style="list-style-type: none"> <li>ზოგიერთი ნაწილი მოშვებულია.</li> </ul>	<ul style="list-style-type: none"> <li>გააჩერეთ მოწყობილობა, ამოიღეთ აკუმულატორის ბლოკი, შეამოწმეთ და მოუჭირეთ მოშვებულ ნაწილებს.</li> </ul>
ძრავა მუშაობს, მაგრამ საბურღი წვერი არ იძვრის.	<ul style="list-style-type: none"> <li>მოშვებული საბურღი აპარატის წვერი.</li> </ul>	<ul style="list-style-type: none"> <li>ხელახლა დაამაგრეთ საბურღი წვერი, მიყევით „საბურღი წვერის დამაგრება“ ნაწილში მოცემულ მომხმარებლის ინსტრუქციას.</li> </ul>
ყინულის საბურღი ხტის ყინულზე ან ნელა ჭრის ყინულს.	<ul style="list-style-type: none"> <li>მჭრელი პირები დაზიანებულია ან დაზიანებულია.</li> </ul>	<ul style="list-style-type: none"> <li>შეცვალეთ საჭრელი პირები როგორც ეს აღწერილია ამ სახელმძღვანელოში „საჭრელი პირის გამოცვლის წესი“.</li> </ul>
ბრუნვის მიმართულების/ სიჩქარის ამომრჩევის დაჭერის შემდეგ საბურღი წვერის როტაციის მიმართულება ან სიჩქარე არ იცვლება.	<ul style="list-style-type: none"> <li>ბრუნვის მიმართულების წინ და უკან გადართვა შესაძლებელია მხოლოდ მაშინ, როდესაც საბურღი მოწყობილობა გაჩერებულია.</li> <li>სხვა დაუდგენელი მიზეზები.</li> </ul>	<ul style="list-style-type: none"> <li>გააჩერეთ საბურღი მოწყობილობა მთლიანად, დააწექით ბრუნვის მიმართულების/სიჩქარის სელექტორს სასურველ ბრუნვამდე და შემდეგ ისევ ჩართეთ მოწყობილობა.</li> <li>გასარემონტებლად დაუკავშირდით EGO სერვის ცენტრს.</li> </ul>

## გარანტია

### ego-ს საგარანტიო პოლიტიკა

გთხოვთ, ეწვიოთ ვებ-გვერდს [egopowerplus.eu](http://egopowerplus.eu), და გაეცნოთ EGO-ს საგარანტიო მომსახურების წესებს და პირობებს სრულად.

KA

## PROČITAJTE SVA UPUTSTVA!



PROČITAJTE PRIRUČNIK ZA RUKOVAOCA

**⚠ UPOZORENJE:** Da bi se osigurala sigurnost i pouzdanost, sve popravke treba da radi kvalifikovani servisni tehničar.

## SIGURNOSNI SIMBOL

Svrha sigurnosnih simbola je da vam skrenu pažnju na moguće opasnosti. Sigurnosni simboli i objašnjenja uz njih zaslужuju vašu purnu pažnju i shvatanje. Simboli upozorenja, sami po sebi, ne eliminišu nikakve opasnosti. Uputstva i upozorenja koja oni daju nisu zamena za odgovarajuće mere sprečavanja nezgoda.

**⚠ UPOZORENJE:** Obavezno pročitajte i shvatite sva sigurnosna uputstva u ovom Priručniku za rukovaoca, obuhvatajući i sve simbole sigurnosnih upozorenja poput „**OPASNOST**“, „**UPOZORENJE**“ i „**OPREZ**“ pre korišćenja ovog alata. Nepridržavanje svih dole navedenih uputstava može da dovede do strujnog udara, požara i/ili ozbiljne telesne povrede.

## SIGURNOSNA UPUTSTVA

Ova stranica prikazuje i opisuje sigurnosne simbole koji mogu da se pojave na ovom proizvodu. Pročitajte, shvatite i sledite sva uputstva na mašini pre no što pokušate da je sklopite i da rukujete njom.



Sigurnosno upozorenje



Radi smanjenja opasnosti od povreda, korisnik treba da pročita priručnik za rukovaoca.



Nosite zaštitu za oči



Nosite zaštitu za uši



Otpadni električni proizvodi ne smeju da se odlažu sa otpadom iz domaćinstva. Odnosite u ovlašćeni pogon za reciklažu.



Ovaj proizvod je u skladu sa primenljivim Direktivama EU.



Jednosmerna struja



Ovaj proizvod je u skladu sa primenljivim zakonima UK.

V Napon

kg Kilogram

°C Celzijus

mm Milimetar

/min Obrtaji u minutu

IPX4 Zaštita od zapljuskivanja vode

SR

## OPŠTA BEZBEDNOSNA UPOZORENJA O MAŠINAMA

**⚠ UPOZORENJE:** Pročitajte sva sigurnosna upozorenja, uputstva, ilustracije i specifikacije priložene uz ovu mašinu. Nepridržavanje svih dole navedenih uputstava može da dovede do strujnog udara, požara i/ili ozbiljne povrede.

Sačuvajte sva upozorenja i sva uputstva za buduće potrebe.

### Bezbednost radnog područja

- Održavajte radno područje čistim i dobro osvetljenim. Pretrpana ili mračna područja izazivaju nesreće.
- Ne rukujte mašinama u eksplozivnim atmosferama, kao na primer u prisustvu zapaljivih tečnosti, benzina ili prašine. Mašine stvaraju varnice koje mogu zapaliti prašinu ili isparenja.
- Držite decu i posmatrače podalje dok rukujete mašinom. Ako vam nešto odvrti pažnju, možete izgubiti kontrolu.

### Električna bezbednost

- Utikač mašine mora odgovarati utičnici. Nikada ne modifikujete utikač ni na koji način. Ne koristite adapterske utikače sa uzemljenim mašinama. Nemodifikovani utikači i odgovarajuće utičnice umanjice rizik od strujnog udara.
- Izbegavajte kontakt delova tela sa uzemljenim površinama, poput cevi, radijatora, šporeta i frižidera. Postoji povećan rizik od strujnog udara ako je vaše telo uzemljeno.
- Ne izlažite mašine kiši ili mokrim uslovima. Voda koja uđe u mašinu povećava rizik od strujnog udara.
- Nemojte zloupotrebljavati kabl. Nikad ne koristite kabl za nošenje, vučenje ili isključivanje mašine iz utičnice. Čuvajte kabl podalje od toplote, nafte, oštih ivica ili pokretnih delova. Oštećen ili upetljan kabl povećava rizik od strujnog udara.
- Kada rukujete mašinom na otvorenom prostoru, koristite produžni kabl pogodan za korišćenje na otvorenom prostoru. Upotrebom kabla pogodnog za upotrebu na otvorenom umanjuje se rizik od strujnog udara.
- Ako je korišćenje mašine na vlažnom mestu neizbežno, koristite izvor napajanja sa zaštitnim uređajem diferencijalne struje. Korišćenje GFCI smanjuje rizik od strujnog udara.

SR

### Lična bezbednost

- Ostanite u pripravnosti, gledajte ono što radite i koristite zdrav razum kad rukujete mašinom. Ne koristite mašinu kad ste umorni ili pod uticajem droga, alkohola ili lekova. Trenutak nepažnje kad rukujete mašinama je dovoljan da izazove ozbiljne telesne povrede.
- Koristite ličnu zaštitnu opremu. Uvek nosite zaštitu za oči. Zaštitna oprema poput maske za prašinu, radnih cipela koje se ne kliziu, šlema ili zaštite sluha će, kada se koristi za odgovarajuće uslove, smanjiti telesne povrede.
- Sprečite nenamerno pokretanje. Osigurajte da prekidač bude u isključenom položaju pre povezivanja na izvor napajanja i/ili bateriju, podizanja ili nošenja mašine. Nošenje mašina sa prstom na prekidaču ili uključivanje u utičnicu mašina čiji prekidač je u uključenom položaju priziva nezgode.
- Uklonite sve ključeve za podešavanje pre uključivanja mašine. Ključ koji ostane pričvršćen za rotacioni deo mašine može da izazove telesnu povredu.
- Ne presežite. U svakom trenutku održavajte pravilan položaj nogu i ravnotežu. To omogućava bolju kontrolu nad mašinom u neočekivanim situacijama.
- Prikladno se obucite. Nemojte da nosite široku odeću ili nakit. Kosu i odeću uvek držite dalje od delova koji se kreću. Delovi koji se kreću mogu da zahvate široku odeću, nakit ili dugu kosu.
- Ako su uređaji opremljeni priključkom za odvod i sakupljanje prašine, vodite računa da se pravilno spoje i upotrebljavaju. Upotreba kolektora prašine može da smanji opasnosti koje izaziva prašina.
- Ne dozvolite da zbog poznavanja koje ste stekli kroz čestu upotrebu mašina postanete samozadovoljni i ignorirate principe bezbednosti mašina. Nemarni postupak može da izazove ozbiljnu povredu u deliću sekunde.

### Upotreba i održavanje mašine

- Ne silite mašinu. Koristite odgovarajuću mašinu za ono što radite. Odgovarajuća mašina uradiće posao bolje i bezbednije onom brzinom za koju je dizajnirana.
- Ne koristite mašinu ako prekidač ne može da je uključi i isključi. Svaka mašina koja se ne može kontrolisati prekidačem je opasna i mora se popraviti.
- Izvucite utikač iz izvora napajanja i/ili izvadite bateriju, ako je odvojiva, iz mašine pre bilo kakvog podešavanja, menjanja dodataka ili skladištenja mašina. Takve preventivne sigurnosne mere smanjuju rizik od nehotičnog pokretanja mašine.

- **Skладиštite mašine koje se ne koriste van domašaja dece i ne dozvolite osobama koje nisu upoznate sa ovom mašinom ili ovim uputstvom da rukuju mašinom.** Mašine su opasne u rukama nekvalifikovanih korisnika.
- **Pratite sva uputstva za punjenje i ne punitite bateriju ili mašinu izvan temperaturnog opsega navedenog u uputstvima.** Punjenje na nepravilan način ili na temperaturama izvan navedenog opsega može da ošteti bateriju i poveća rizik od požara.

- **Održavajte mašine i pribor.** Proveravajte da li ima nepravilnog poravnjanja ili zaglavljivanja pokretnih delova, pucanja delova i svih drugih stanja koja mogu da utiču na rad mašine. Ako je mašina oštećena, odnesite je na popravku pre upotrebe. Mnoge nezgode su izazvane loše održanim mašinama.
- **Održavajte mašine koje seku oštrim i čistim.** Pravilno održavane mašine za sečenje sa oštrim ivicama za sečenje se ređe zapetljavaju i lakše se kontrolišu.
- **Koristite mašinu, dodatke, burgije itd. u skladu sa ovim uputstvom, uzimajući u obzir radne uslove i rad koji treba obaviti.** Korišćenje mašine za rad drugačiji od predviđenog moglo bi da dovede do opasne situacije.
- **Održavajte drške i površine koje hvatate suvim, čistim i bez ulja i masnoće.** Klizave drške i površine koje hvatate ne omogućavaju bezbedno rukovanje i kontrolu mašine u neočekivanim situacijama.

#### Upotreba i održavanje mašina na baterije

- **Punite samo punjačem koji navodi proizvođač.** Punjač koji je prikladan za jedan tip baterije može da stvori opasnost od požara kad se koristi sa nekom drugom baterijom.
- **Koristite mašine samo sa konkretno imenovanim baterijama.** Upotreba bilo kakvih drugih baterija može da stvori rizik od povrede i požara.
- **Kad se baterija ne koristi, držite je dalje od drugih metalnih predmeta, poput spajalica, novčića, ključeva, eksera, vijaka ili drugih malih metalnih predmeta koji mogu da naprave spoj jednog terminala sa drugim.** Kratak spoj terminala baterije može da izazove opekotine ili požar.
- **U ekstremnim uslovima može doći do curenja tečnosti iz baterije; izbegavajte kontakt sa njom. Ako dođe do nehotičnog kontakta, isperite vodom. Ako tečnost dođe u kontakt sa očima, takođe potražite i medicinsku pomoć.** Tečnost iz baterije može da izazove iritaciju ili opekotine.
- **Ne koristite bateriju ili mašinu koje su oštećene ili modifikovane.** Oštećene ili modifikovane baterije mogu da ispolje nepredvidivo ponašanje, dovodeći do požara, eksplozije ili rizika od povrede.
- **Ne izlažite bateriju ili mašinu vatri ili previsokoj temperaturi.** Izlaganje vatri ili temperaturi iznad 130 °C može izazvati eksploziju.

#### Servis

- **Ondesite mašinu na servisiranje kod kvalifikovanog servisera koji će koristiti samo identične rezervne delove.** To će osigurati da bezbednost mašine bude održana.
- **Nikad ne servisirajte oštećene baterije.** Servisiranje baterija treba da radi samo proizvođač ili ovlašćeni servis.

### BEZBEDNOSNA UPOZORENJA ZA SVRDLO ZA LED

- **Zamenite svrdla ako su naprsla, iskrivljena ili na bilo koji način oštećena.** Rukovanje mašinom sa oštećenim svrdlom može da rezultuje ozbiljnom povredom.
- **Nikad ne koristite svrdlo sa drškama iznad nivoa struka.** To ograničava kontrolu nad svrdlom i može da poveća rizik od povrede.
- **Držite mašinu sa obe ruke za predviđene drške.** Gubitak kontrole može dovesti do telesne povrede.
- **Držite mašinu za izolovane hladne površine kad vršite rad u kom dodatak za kopanje može da kontaktira skriveno ožičenje.** Ako dodatak za kopanje dođe u dodir sa žicom pod naponom, i izloženi metalni delovi mašine mogu da budu pod naponom pa rukovalac može da dobije strujni udar.
- **Radi smanjenja rizika od strujnog udara, svrdlo nemojte nikad da upotrebljavate u blizini zakopanih strujnih kablova.** Kontakt sa strujnim kablovima ili upotreba u blizini zakopanih strujnih kablova može da prouzrokuje teške povrede ili strujni udar sa smrtnim ishodom.
- **Uvek startujte mašinu na maloj brzini i sa vrhom svrdlo bita u dodiru sa tlom.** Na većim brzinama će se bit verovatno iskriviti ako mu dozvolite da se slobodno rotira bez dodira sa tlom, rezultujući telesnom povredom.
- **Primenite pritisak samo u direktnoj liniji sa bitom i ne primenjujte prekomerni pritisak.** Bitovi mogu da se saviju i dovedu do loma ili gubitka kontrole, što dovodi do telesne povrede.
- **Uvek vodite računa da imate čvrsto uporište nogu.** Vodite računa da ispod nema nikoga kad koristite mašinu na visokim mestima.

- Čvrsto držite mašinu.
- Držite šake dalje od rotacionih delova.
- Ne ostavljajte mašinu da radi. Radite mašinom samo kad je držite u rukama.
- Ne dodirujte svrdlo bit neposredno nakon rada. Može da bude ekstremno vruće i moglo bi da vam opeče kožu.
- Ako nešto nije u redu sa mašinom, poput abnormalnih zvukova, odmah zaustavite rad i obratite se lokalnom servisnom centru radi popravke.
- Da biste smanjili rizik od eksplozije, nikad ne koristite svrdlo blizu zakopanih gasnih vodova, obuhvatajući i vodene vodove i cevi. Dodir sa zakopanim vodenim ili gasnim vodovima ili upotreba blizu njih može da rezultuje pucanjem vodenih vodova i eksplozijom gasnih vodova, što može da izazove ozbiljnu povredu ili smrt.
- Nikad ne radite na većoj brzini od oznake maksimalne brzine na svrdlo bitu. Na većim brzinama će se bit verovatno iskriviti ako mu dozvolite da se slobodno rotira bez dodira sa obratkom, rezultujući telesnom povredom.
- Mašine na baterije ne moraju da budu uključene u strujnu utičnicu; one su stoga uvek u radnom stanju. Budite svesni mogućih opasnosti čak i kad mašina nije u radu. Budite pažljivi kada održavate ili servisirate.
- Ne perite crevom; izbegavajte ulaganje vode u motor i električne veze.
- Sečiva za led su veoma oštra. Budite krajnje oprezni kad bušite rupu ili zamenjujete sečiva. Stavite štitičnik sečiva posle svake upotrebe.
- Često proveravajte i osigurajte da vijak za fiksiranje bude čvrsto na svom mestu.
- Koristite samo sa navedenim baterijama i punjačima.

Sačuvajte ovo uputstvo. Uputstva upotrebljavajte često i upotrebljavajte ih za upućivanje drugih osoba koje mogu da upotrebljavaju ovu mašinu. Ako pozajmite nekom ovu mašinu, pozajmite i ovo uputstvo da bi se sprečila pogrešna upotreba proizvoda i eventualna povreda.

## SPECIFIKACIJE

Prečnik svrdlo bita / rupe	200 mm
Maksimalna dubina bušenja	990 mm
Težina (bez baterije)	3,7 kg

SR

Preporučena radna temperatura	Od -20 °C do +40 °C	
Preporučena temperatura skladištenja	Od -40 °C do +70 °C	
Nivo zvučne snage $L_{WA}$	97.6 dB(A)	K=3 dB(A)
Nivo zvučnog pritiska kod $L_{PA}$	89.6 dB(A)	K=3 dB(A)
Vibracije $a_h$	Desna drška	2.52 m/s <sup>2</sup> K=1.5 m/s <sup>2</sup>
	Leva drška	2.45 m/s <sup>2</sup> K=1.5 m/s <sup>2</sup>

- Deklarisana ukupna vrednost vibracije je izmerena u skladu sa standardnim metodom testiranja i može se koristiti za upoređivanje jedne mašine sa drugom.
- Deklarisana ukupna vrednost vibracije može se koristiti i u preliminarnoj proceni izlaganja.

**OBAVEŠTENJE:** Emisija vibracija tokom aktuelne upotrebe mašine može da se razlikuje od deklarisanе vrednosti u kojoj se mašina upotrebljavala. Korisnik radi zaštite treba da nosi rukavice i štitičnike za uši u aktuelnim uslovima upotrebe.

## PREPORUČENI DODACI

**UPOZORENJE:** Koristite samo pribor naveden ispod. Upotreba pribora koji ne ispunjava specifikacije originalne opreme može da dovede do nepravilnog rada i kompromitovane bezbednosti.

NAZIV DELA	Broj Modela
Sečivo svrdlo bita za led	AB08001

## POPIS PAKOVANJA (SLIKA A)

### OPIS

**UPOZNAJTE SVOJ SVRLO BIT ZA LED (slika A)**

1. Svrdlo bit za led
2. Sigurnosni vijak
3. Štitičnik noža
4. Sečivo za led
5. Inbus ključ (6 mm)

## SKLAPANJE

### INSTALIRANJE SVRDLO BITA ZA LED

**⚠ UPOZORENJE:** Svrđlo bit je veoma oštar. Da biste sprečili telesnu povredu, budite krajnje oprezni kad čistite, instalirate ili uklanjate svrdlo bit. Uvek nosite zaštitne rukavice kad radite održavanje na svrdlo bitu.

- 1 Olabavite i uklonite sigurnosni vijak sa svrdlo bita za led.
- 2 Montirajte gornji kraj svrdlo bita na pogonsko vratilo električne glave (slika B1).
- 3 Poravnajte spojne rupe na svrdlo bitu i pogonskom vratilu.
- 4 Pomoću sigurnosnog vijka učvrstite svrdlo bit na pogonsko vratilo. Pomoću priloženog 6 mm inbus ključa čvrsto zategnite sigurnosni vijak (slika B2).

B1-1	Pogonsko vratilo	B1-2	Gornji kraj svrdlo bita za led
B2-1	Pogonsko vratilo	B2-2	Sigurnosni vijak
B2-3	Plijosnata strana		

**OBAVEŠTENJE:** Vodite računa da sigurnosni vijak bude umetnut u spojne rupe sa pljosnate strane rupe na svrdlo bitu.

## RAD

### PRIMENA

Ovaj proizvod možete da upotrebljavate za svrhe navedene u nastavku:

- Bušenje rupa u ledu pomoću svrdlo bita za led.

### STARTOVANJE/STOPIRANJE SVRDLA ZA LED

Pogledajte odjeljak „**STARTOVANJE/STOPIRANJE ELEKTRIČNE GLAVE**“ u priručniku za rukavaoca električne glave PHA7400E.

**OBAVEŠTENJE:** Nosite zaštitne rukavice i uklonite štitnik sečiva za led pre startovanja proizvoda.

### RAD SVRDLOM ZA LED

#### ⚠ UPOZORENJE:

- Obratite se lokalnoj komunalnoj kompaniji radi plana podzemnih vodova pre upotrebe mašine, da biste izbegli kontakt sa podzemnim vodovima.
- Ne koristite svrdlo za led ni za šta drugo osim njegove predviđene svrhe.
- Koristite svrdlo za led samo za bušenje rupa u ledu.

- Izbegavajte kopanje u materijalu za koji sumnjate da sadrži skrivene eksere ili druge stvari koje mogu da izazovu zaglavljivanje ili pucanje svrdlo bita.
- Ostanite na oprezu zbog sile reakcije obrtnog momenta mašine. Uvek održavajte radni položaj u kom možete da izdržite silu reakcije obrtnog momenta.
- Budite krajnje oprezni kad radite na nagibima ili neravnoj površini.

**OBAVEŠTENJE:** Pre rada proverite da nema stranog materijala (peska, zemlje itd) zaglavljenog u otvorima ili pokretnim delovima.

- a. Vodite računa da vam stopala budu čvrsto postavljena iznad radne površine i stojte sa drškama blizu struka. Čvrsto držite desnu dršku desnom rukom a levu dršku levom rukom (slika C1).

C1-1	Desna drška	C1-2	Leva drška
------	-------------	------	------------

**⚠ UPOZORENJE:** Nikad ne držite desnu dršku levom rukom a levu dršku desnom rukom. Nepravilni položaji ruku mogu rezultovati ozbiljnom povredom (slika C2).

**⚠ UPOZORENJE:** Izbegavajte nepravilne položaje (slika C3). Ne stojte predaleko od mašine. Možda nećete moći da ostvarite pravilnu reakciju i kontrolu u slučaju povratnog udara.

- b. Držite svrdlo bit dalje od sebe tako da svrdlo bit bude okrenut nadole pod uglom od 90° na površinu.
  - c. Postavite smer rotacije i brzinu rotacije.
  - d. Podignite mašinu iznad površine. Pritisnite i držite dugme za zaključavanje pa stisnite okidač.
- ⚠ WARNING:** Ne dodirujte svrdlo bit kad je proizvod uključen.
- e. Omogućite svrdlu da postigne punu brzinu.
  - f. Spustite svrdlo bit u površinu održavajući ugao od 90° (slika C4). Omogućite svrdlo bitu da zaroni u materijal, puštajući mašinu da uradi svoj posao.
  - g. Kako svrdlo bit počne da se puni materijalom, važno je da ga prestano čistite da biste napravili čist rez i smanjili količinu potrebnog napora – dok svrdlo radi na punoj brzini, polako ga podignite iz rupe i omogućite materijalu da izađe iz svrdlo bita.
  - h. Nakon korišćenja ove mašine, pustite okidač i omogućite svrdlu da se potpuno stopira.
  - i. Kad napuštate mašinu, na primer tokom pauze, ne ostavljajte mašinu umetnutu u led niti je naslanjajte uza zid. Instalirajte štitnik sečiva na svrdlo bit za led i skladištite mašinu u stabilnom položaju.

## SAVETI ZA KORIŠĆENJE SVRDLA ZA LED

- Prekomerno pritisakanje mašine neće ubrzati kopanje. Prekomeran pritisak će samo poslužiti da ošteti vrh svrdlo bita, smanji performanse mašine i skрати radni vek mašine.
- Kad bušite duboku rupu ili bušite u glinovitom zemljištu, ne pokušavajte da kopate odjednom. Iskopajte rupu tako što ćete podizati mašinu gore i dole tako da se rastresita zemlja u rupi može izbaciti.
- Ako se brzina rotacije mašine smanji zbog rada sa visokim opterećenjem, podignite mašinu malo gore i pomerajte mašinu gore i dole da biste bušili u malim koracima.
- Zaglavljen svrdlo bit se može ukloniti jednostavnim postavljanjem svrdla u rotaciju unazad da bi izašlo napolje. Kad radi unazad, naslonite mašinu na sebe da biste sprečili reakciju u smeru kazaljke na satu.
- Pre rada sa svrdlo bitom za led na zamrznutim barama, jezerima ili potocima, proverite sa lokalnim vlastima i preduzmite sve neophodne mere opreza da biste osigurali bezbednu debljinu leda.
- Kad vadite svrdlo bit za led iz rupe, podignite mašinu vertikalno tako da bit izađe ravno bez naginjanja. Da biste smanjili prskanje kad bušite rupe u ledu, odmah pustite okidač čim se svrdlo bit za led probije kroz led. Polako podignite mašinu. Prekrijite i vidljivo označite izbušene rupe da biste sprečili da neko ugazi u rupu.

## ODRŽAVANJE

**⚠ UPOZORENJE:** Da biste sprečili ozbiljne telesne povrede, izvadite bateriju iz proizvoda pre servisiranja, čišćenja, menjanja podataka ili skidanja materijala sa jedinice.

### OPŠTE ODRŽAVANJE

Izbegavajte korišćenje rastvarača kada čistite plastične delove. Većina plastike je podložna oštećenjima od raznih tipova komercijalnih rastvarača i može se oštetiti njihovom upotrebom. Koristite čistu krpu da uklonite prljavštinu, prašinu, ulje, masnoću itd.

**⚠ UPOZORENJE:** Nemojte ni u kom trenutku dozvoliti da kočiona tečnost, benzin, proizvodi na bazi petroleja, penetraciono ulje itd. dođu u kontakt sa plastičnim delovima. Hemikalije mogu da oštete, oslabe ili unište plastiku, što može da dovede do ozbiljne telesne povrede.

**SR**

### ZAMENA SEČIVA ZA LED

Ako svrdlo za led poskakuje na ledu ili sporo preseca led kad bušite rupe u ledu, možda treba da zamenite sečiva za led.

Potreban alat: 6 mm inbus ključ (priložen), 3 mm inbus ključ (nije priložen)

1. Uklonite akumulator iz svrdla pa uklonite svrdlo bit za led sa pogonskog vratila električne glave koristeći 6 mm inbus ključ da olabavite i uklonite sigurnosni vijak.
2. Nosite zaštitne rukavice i uklonite štitnik sečiva za led (slika D1).
3. Pomoću 3 mm inbus ključa olabavite i uklonite vijke i sečiva za led sa svrdlo bita za led (slika D2).
4. Zamenite ih novim sečivima i čvrsto ih zategnite.
5. Instalirajte štitnik sečiva.

D1-1	Štitnik noža	D1-2	Sečiva za led
D2-1	Vijak	D2-2	Sečivo za led

### SKLADIŠTENJE SVRDLO BITA ZA LED

1. Izvadite bateriju.
2. Uklonite svrdlo bit sa pogonskog vratila električne glave.
3. Temeljno očistite svrdlo bit pre no što ga uskladištite.
4. Instalirajte štitnik sečiva na svrdlo bit za led.
5. Skladištite svrdlo bit na suvom, dobro provetrenom mestu, zaključan ili na visini, van domašaja dece. Ne skladištite svrdlo bit na ili pored đubriva, benzina ili drugih hemikalija.

### Zaštita životne sredine



Ne odlažite električnu opremu, potrošene baterije i punjače u kućni otpad! Odnosite ovaj proizvod u ovlašćeni pogon za reciklažu ili ga odvojite od ostalog smeća radi zasebnog prikupljanja. Električni alati moraju se odneti u ekološki prihvatljiv pogon za reciklažu.

## REŠAVANJE PROBLEMA

PROBLEM	UZROK	REŠENJE
Mašina neće da startuje ili se neočekivano stopira.	<ul style="list-style-type: none"> <li>■ Nizak kapacitet akumulatora.</li> <li>■ Akumulator je pregrejan ili previše hladan.</li> <li>■ Kabl desne drške nije pravilno spojen sa kablom električne glave.</li> </ul>	<ul style="list-style-type: none"> <li>■ Napunite bateriju.</li> <li>■ Sačekajte da se akumulator ohladi ili zagreje; tada ćete moći ponovo da startujete svrdlo.</li> <li>■ Spojite kablove desne drške i električne glave prateći odeljak „<b>INSTALIRANJE DRŠKI</b>“ u priručniku za rukovaoca električne glave PHA7400E.</li> </ul>
Ima previše buke i/ili vibracija tokom rada.	<ul style="list-style-type: none"> <li>■ Neki delovi su labavi.</li> </ul>	<ul style="list-style-type: none"> <li>■ Stopirajte svrdlo, uklonite akumulator pa proverite i zategnite labave delove.</li> </ul>
Motor radi ali svrdlo bit ostaje nepokretan.	<ul style="list-style-type: none"> <li>■ Labav svrdlo bit.</li> </ul>	<ul style="list-style-type: none"> <li>■ Ponovo instalirajte svrdlo bit prateći odeljak „<b>INSTALIRANJE SVRDLO BITA ZA LED</b>“ u ovom priručniku.</li> </ul>
Svrdlo za led poskakuje na ledu ili sporo preseca led.	<ul style="list-style-type: none"> <li>■ Sečiva su tupa ili oštećena.</li> </ul>	<ul style="list-style-type: none"> <li>■ Zamenite novim sečivima prateći odeljak „<b>ZAMENA SEČIVA ZA LED</b>“ u ovom priručniku.</li> </ul>
Smer ili brzina rotacije svrdla nisu prebačeni nakon guranja selektora smera/brzine rotacije.	<ul style="list-style-type: none"> <li>■ Menjanje smer rotacije između unapred i unazad je moguće samo kad je svrdlo stopirano.</li> <li>■ Drugi neidentifikovani uzroci.</li> </ul>	<ul style="list-style-type: none"> <li>■ Potpuno stopirajte svrdlo, gurnite selektor smer/brzine rotacije na željenu rotaciju a zatim ponovo startujte svrdlo.</li> <li>■ Obratite se EGO servisu radi popravke.</li> </ul>

## GARANCIJA

### EGO POLITIKA GARANCIJE

Posetite veb-lokaciju [egopowerplus.eu](http://egopowerplus.eu) za potpune uslove i odredbe EGO politike garancije.

## PROČITAJTE UPUTSTVO U CIJELOSTI!



PROČITAJTE KORISNIČKI PRIRUČNIK.

**⚠ UPOZORENJE!** Radi osiguranja sigurnosti i pouzdanosti, sve popravke treba obavljati kvalifikovani servisni tehničar.

## SIGURNOSNI SIMBOL

Svrha sigurnosnih simbola je skretanje pažnje na moguće opasnosti. Sigurnosni simboli i njihova objašnjenja zahtijevaju vašu potpunu pažnju i razumijevanje. Simboli upozorenja sami po sebi ne isključuju opasnost. Uputstva i upozorenja koja simboli pružaju nisu zamjena za propisne mjere za prevenciju nesreća.

**⚠ UPOZORENJE!** Prije upotrebe ovog alata pobrinite se da sva sigurnosna uputstva u ovom korisničkom priručniku, uključujući sve sigurnosne simbole kao što su "OPASNOST", "UPOZORENJE" i "OPREZ" pročitate s razumijevanjem. Zanemarivanje svih uputstava navedenih u nastavku može rezultirati strujnim udarom, požarom i/ili teškim tjelesnim povredama.

## SIGURNOSNA UPUTSTVA

Na ovoj stranici slikovno su prikazani i objašnjeni sigurnosni simboli koji se mogu pojaviti na ovom proizvodu. Prije pokušaja sastavljanja i rukovanja, s razumijevanjem pročitate sva uputstva na proizvodu i pridržavajte ih se.



Simbol upozorenja



Radi smanjenja opasnosti od povreda, korisnik treba pročitati korisnički priručnik.



Nosite zaštitu za oči.



Nosite zaštitu za sluh



Otpadni električni proizvodi ne smiju se odlagati s otpadom iz domaćinstva. Odnosite ih u ovlaštenu centar za reciklažu.



Ovaj proizvod je u skladu s primjenjivim direktivama EU.



Istosmjerna struja



Ovaj proizvod je u skladu s važećim zakonodavstvom Velike Britanije.

V Napon

kg Kilogram

°C Celzijus

mm Milimetar

/min Okretaji u minuti

IPX4 Zaštita od prskanja vode

BS

220

NASTAVAK SVRDLA ZA LED S LITIJ-IONSKOM BATERIJOM OD 56 V — ITA0800E

## OPĆA SIGURNOSNA UPOZORENJA ZA MAŠINE

**⚠ UPOZORENJE!** Pročitajte sva sigurnosna upozorenja, uputstva, sve ilustracije i specifikacije isporučene s ovom mašinom. Zanemarivanje svih uputstava navedenih u nastavku može rezultirati strujnim udarom, požarom i/ili teškim povredama.

Sačuvajte sva upozorenja i uputstva za buduće potrebe.

### Sigurnost radnog područja

- Radno područje održavajte čistim i dobro osvijetljenim. Pretrpana ili mračna područja izazivaju nesreće.
- Mašine nemojte upotrebljavati u eksplozivnim atmosferama, kao na primjer u prisutnosti zapaljivih tekućina, benzina ili prašine. Mašine stvaraju iskre koje mogu zapaliti prašinu ili isparenja.
- Djecu i druge prisutne osobe držite podalje tokom rada mašine. Ometanja mogu rezultirati gubitkom kontrole nad mašinom.

### Električna sigurnost

- Utičkači mašine moraju odgovarati utičnici. Nemojte modifikovati utikač ni na koji način. Nemojte upotrebljavati utikače adaptera s uzemljenim mašinama. Nemođifikovani utikači i odgovarajuće utičnice umanjit će rizik od strujnog udara.
- Izbjegavajte kontakt tijela s uzemljenim površinama, kao što su slavine, radijatori, peći i frižideri. Postoji povećan rizik od strujnog udara ako je vaše tijelo uzemljeno.
- Nemojte izlagati mašine kiši ili mokrim uslovima. Prodiranjem vode u mašinu povećat će se opasnost od strujnog udara.
- Nemojte nepropisno upotrebljavati kabel. Kabel nemojte nikada upotrebljavati za nošenje, povlačenje ili isključivanje mašine iz strujnog napajanja. Kabel držite podalje od topline, ulja, oštih rubova ili pokretnih dijelova. Oštećeni ili isprepleteni kabeli povećavaju rizik od strujnog udara.
- Kada mašinom radite na otvorenom, upotrebljavajte produžni kabel prikladan za upotrebu na otvorenom. Upotrebom kabela prikladnog za upotrebu na otvorenom smanjuje se rizik od strujnog udara.
- Ako je rad s mašinom u vlažnom području neizbježan, upotrebljavajte napajanje sa zaštitnim uređajem diferencijalne struje. Upotrebom zaštitnog uređaja diferencijalne struje smanjuje se rizik od strujnog udara.

### Lična sigurnost

- Budite oprezni, gledajte šta radite i koristite se uobičajenim osjećajem kada upotrebljavate mašinu. Nemojte upotrebljavati mašinu kada ste umorni ili pod uticajem opojnih sredstava, alkohola ili lijekova. Trenutak nepažnje tokom rada mašina može rezultirati teškim tjelesnim povredama.
- Upotrebljavajte ličnu zaštitnu opremu. Uvijek nosite zaštitu za oči. Zaštitna oprema poput maske za zaštitu od prašine, neklizajuće sigurnosne obuće, kacige ili zaštite za sluh upotrijebljena za odgovarajuće uslove smanjit će tjelesne povrede.
- Spriječite nenamjerno pokretanje. Prije spajanja na izvor napajanja i/ili komplet baterija, uzimanja ili nošenja mašine uvjerite se da se prekidač nalazi u isključenom položaju. Nošenje mašina s prstom na prekidaču ili napajanje mašina koje imaju uključen prekidač izaziva nesreće.
- Prije uključivanja mašine uklonite sve ključeve za podešavanje ili nasadne ključeve. Nasadni ključ ili ključ za podešavanje ostavljen pričvršćen na rotacijski dio mašine može rezultirati tjelesnim povredama.
- Nemojte se previše naginjati prema naprijed. Cijelo vrijeme održavajte propisno držanje i ravnotežu. To će omogućiti bolju kontrolu nad mašinom u neočekivanim situacijama.
- Obucite se prikladno. Nemojte nositi široku odjeću ili nakit. Kosu i odjeću uvijek držite podalje od dijelova koji se kreću. Dijelovi koji se kreću mogu zahvatiti široku odjeću, nakit ili dugu kosu.
- Ako su uređaji namijenjeni za spajanje sistema za izvlačenje i sakupljanje prašine, pobrinite se da se propisno spoje i upotrebljavaju. Upotrebom uređaja za sakupljanje prašine mogu se smanjiti opasnosti koje se odnose na prašinu.
- Nemojte dozvoliti da vas poznavanje mašina stečeno čestom upotrebom učini samodopadnim pa da zanemarite sigurnosne principe za mašinu. Nemarne radnje u djeliću sekunde mogu rezultirati teškim povredama.

### Upotreba i njega mašine

- Izbjegavajte preveliko opterećenje mašine. Upotrebljavajte pravilnu mašinu za svoju primjenu. Pravilna mašina bolje će i sigurnije odraditi posao pri brzini za koju je predviđena.
- Nemojte upotrebljavati mašinu ako se ne uključuje i ne isključuje putem prekidača. Svaka mašina koja se ne može kontrolisati prekidačem opasna je i potrebno ju je popraviti.

**BS**

- **Prije obavljanja podešavanja, zamjene dodatne opreme ili skladištenja mašine isključite utikač iz izvora napajanja i/ili komplet baterija iz mašine, ako je odvojitiv.** Takve preventivne sigurnosne mjere smanjuju rizik od iznenadnog pokretanja mašine.
- **Nekorištene mašine skladištite izvan dohvata djece i nemojte dozvoliti da osobe koje ne poznaju mašinu ili ova uputstva upotrebljavaju mašinu.** Mašine su opasne u rukama neobučenih korisnika.
- **Održavajte mašine i dodatnu opremu. Provjerite jesu li pokretni dijelovi centrirani ili spojeni, ima li polomljenih dijelova i postoji li stanje koje može uticati na rad mašine. Ako je oštećena, mašinu popravite prije upotrebe.** Loše održavane mašine uzrok su mnogih nesreća.
- **Rezne mašine održavajte oštroma i čistima.** Propisno održavane rezne mašine s oštrim reznim rubovima manje će se zaglavljivati i lakše su za upravljanje.
- **Mašinu, dodatnu opremu i nastavke mašine, itd., upotrebljavajte u skladu s ovim uputstvima, uzimajući u obzir radne uslove i posao koji je potrebno obaviti.** Upotreba mašine za radove drukčije od namjenskih može rezultirati opasnim situacijama.
- **Rukohvate i površine rukohvata održavajte suhim, čistim i očišćenim od ulja i masti.** Skliski rukohvati i skliske površine rukohvata onemogućuju sigurno rukovanje i upravljanje mašinom u neočekivanim situacijama.

## Upotreba i njega akumulatorskih mašina

- **Punjenje obavljajte samo s punjačem kojeg je naveo proizvođač.** Punjač koji je prikladan za jedan tip kompleta baterija može stvoriti rizik od požara ako ga se upotrebljava s drugim kompletom baterija.
- **Mašine upotrebljavajte samo s izričito navedenim kompletima baterija.** Upotreba drugih kompleta baterija može izazvati rizik od povreda i požara.
- **Kada se komplet baterija ne upotrebljava, držite ga podalje od drugih metalnih predmeta poput spajalica za papir, kovanica, ključeva, eksera, vijaka ili drugih malih metalnih predmeta koji mogu međusobno spojiti kontakte.** Kratko spajanje baterijskih kontakata može uzrokovati opekotine ili požar.
- **U slučaju pogrešne upotrebe, baterija može izbaciti tekućinu; izbjegavajte kontakt. Ako slučajno dođe do kontakta, odnosna mjesta isperite vodom. Ako tekućina dođe u kontakt s očima, dodatno potražite pomoć ljekara.** Tekućina koju izbaci baterija može uzrokovati nadražaj kože ili opekotine.
- **Nemojte upotrebljavati oštećen ili modifikovan komplet baterija niti oštećenu ili modifikovanu mašinu.** Oštećene ili modifikovane baterije mogu

pokazati nepredvidivo ponašanje koje može rezultirati požarom, eksplozijom ili rizikom od povreda.

- **Komplet baterija ili mašinu nemojte izlagati vatri ili previsokoj temperaturi.** Izlaganje vatri ili temperaturi višoj od 130 °C može uzrokovati eksploziju.
- **Pridržavajte se svih uputstava za punjenje i komplet baterija ili mašinu nemojte puniti izvan okvira opsega temperature navedenog u uputstvima.** Neproprisan punjenje ili punjenje pri temperaturama izvan okvira određenog opsega može oštetiti bateriju i povećati rizik od požara.

## Servisiranje

- **Servisiranje mašine prepustite kvalifikovanom osoblju za popravak koje upotrebljava samo identične zamjenske dijelove.** Time će se osigurati održavanje sigurnosti mašine.
- **Nemojte nikada servisirati oštećene komplete baterija.** Servisiranje kompleta baterija smiju obavljati samo proizvođač ili ovlašteni serviseri.

## SIGURNOSNA UPOZORENJA ZA SVRDLO ZA LED

- **Zamijenite svrdla ako su napukla, savijena ili oštećena na bilo koji način.** Upotreba mašine s oštećenim svrdlom može rezultirati teškim povredama.
- **Svrdlo nemojte nikada upotrebljavati s rukohvatima iznad visine struka.** To ograničava kontrolu nad svrdlom i može povećati rizik od povreda.
- **Mašinu držite objema rukama za predviđene rukohvate.** Gubitak kontrole može uzrokovati tjelesne povrede.
- **Kada obavljate radove pri kojima pribor za kopanje može doći u kontakt sa skrivenim ožičenjem, mašinu držite za izolirane površine za držanje.** Ako pribor za kopanje dodirne kabel pod naponom, postoji opasnost da izloženi metalni dijelovi mašine isto budu pod naponom, što za rukovaoaca može predstavljati opasnost od strujnog udara.
- **Kako biste smanjili rizik od strujnog udara, svrdlo nemojte nikada upotrebljavati u blizini podzemnih električnih kabela.** Kontakt s podzemnim električnim kablom ili upotreba u blizini podzemnih električnih kabela može uzrokovati teške povrede ili strujni udar sa smrtnim ishodom.
- **Mašinu uvijek pokrećite pri niskoj brzini i s vrhom nastavka svrdla u kontaktu s tlom.** Pri višim brzinama nastavak se može saviti ako se slobodno okreće bez kontakta s tlom, što može rezultirati tjelesnim povredama.

- **Primijenite pritisak samo u direktnoj liniji s nastavkom i nemojte pretjerano pritiskati.** Nastavci se mogu saviti i uzrokovati lom ili gubitak kontrole, što može rezultirati tjelesnim povredama.
- **Uvijek vodite računa da imate čvrst oslonac.** Kada mašinu upotrebljavate na visokim mjestima, vodite računa da niko ne bude ispod vas.
- **Čvrsto držite mašinu.**
- **Držite ruke podalje od rotirajućih dijelova.**
- **Mašinu koja radi nemojte ostavljati bez nadzora.** Mašinu upotrebljavajte samo kada je držite u rukama.
- **Nemojte dodirivati svrdlo odmah nakon rada.** Svrdlo može biti veoma vruće i uzrokovati opekotine.
- **Ako nešto nije u redu s mašinom, npr. ako se čuju neuobičajeni zvukovi, odmah prekinite s radom i obratite se lokalnom servisnom centru radi popravka.**
- **Kako biste umanjili rizik od eksplozije, svrdlo nemojte nikada upotrebljavati u blizini podzemnih plinskih cijevi, uključujući vodovodne cijevi i cijevi.** Kontakt s podzemnim vodovodnim ili plinskim cijevima ili upotreba u blizini podzemnih vodovodnih ili plinskih cijevi može uzrokovati pucanje vodovodnih cijevi i eksploziju plina iz plinskih cijevi, što može rezultirati teškim povredama ili smrću.
- **Mašinu nemojte nikada upotrebljavati pri brzini višoj od maksimalne nazivne brzine nastavka svrdla.** Pri višim brzinama nastavak se može saviti ako se slobodno okreće bez kontakta s obratkom, što može rezultirati tjelesnim povredama.
- **Akumulatorske mašine nije potrebno uključivati u električnu utičnicu, stoga su uvijek u radnom stanju.** Imajte na umu moguće opasnosti čak i kada mašina ne radi. Budite oprezni pri obavljanju radova održavanja ili servisiranja.
- **Uređaj nemojte prati crijevom; izbjegavajte da voda dospije u motor i električne priključke.**
- **Noževi za led su vrlo oštri.** Budite veoma oprezni kada bušite rupe ili mijenjate noževe. Postavite štitnik noža nakon svake upotrebe.
- **Redovno provjeravajte da li je sigurnosni vijak dobro pritegnut.**
- **Upotrebljavajte samo navedene komplete baterija i punjače.**

**Sačuvajte ova uputstva.** Uputstvima se koristite često i upotrebljavajte ih za upućivanje drugih osoba koje mogu upotrebljavati ovu mašinu. Ako ovu mašinu nekom posudite, priložite i ovo uputstvo radi sprečavanja nepropisne upotrebe proizvoda i mogućih povreda.

## TEHNIČKI PODACI

Prečnik nastavka svrdla/ rupe	200 mm	
Maksimalna dubina bušenja	990 mm	
Masa (bez kompleta baterija)	3,7 kg	
Preporučena radna temperatura	- 20 °C – 40 °C	
Preporučena temperatura skladištenja	- 40 °C – 70 °C	
Nivo zvučne snage $L_{WA}$	97.6 dB(A) K=3 dB(A)	
Nivo zvučnog pritiska kod $L_{PA}$	89.6 dB(A) K=3 dB(A)	
Vibracije $a_h$	Desni rukohvat	2.52 m/s <sup>2</sup> K=1.5 m/s <sup>2</sup>
	Lijevi rukohvat	2.45 m/s <sup>2</sup> K=1.5 m/s <sup>2</sup>

- Deklarisane ukupne vrijednosti vibracija izmjerene su u skladu sa standardnom metodom ispitivanja i mogu se primjenjivati za poređenje jedne mašine s drugom.
- Deklarisane ukupne vrijednosti vibracija mogu se primjenjivati i u preliminarnoj procjeni izloženosti.

**NAPOMENA!** Emisija vibracija tokom aktualne upotrebe mašine može se razlikovati od deklarirane vrijednosti u kojoj se mašina upotrebljavala. Korisnik radi zaštite treba nositi rukavice i štitnike za uši u aktualnim uslovima upotrebe.

## PREPORUČENI PRIBOR

**⚠ UPOZORENJE!** Upotrebljavajte samo dodatnu opremu navedenu u nastavku. Upotreba dodatne opreme koja ne ispunjava zahtjeve specifikacija originalne opreme može rezultirati nepropisnim radnim učinkom i nedovoljnom sigurnošću.

NAZIV DIJELA	BROJ MODELA
Nož nastavka svrdla za led	AB08001

## SDRŽAJ PAKOVANJA (SL. A)

### OPIS

#### UPOZNAJTE SVOJ NASTAVAK SVRDLA ZA LED (sl. A)

1. Nastavak svrdla za led
2. Sigurnosni vijak
3. Štitnik noža
4. Nož za led
5. Inbus ključ (6 mm)

### SASTAVLJANJE

#### POSTAVLJANJE NASTAVKA SVRDLA ZA LED

**⚠ UPOZORENJE!** Nastavak svrdla je veoma oštar. Pri čišćenju, postavljanju ili uklanjanju nastavka svrdla budite posebno oprezni kako biste izbjegli tjelesne povrede. Kada obavljate radove održavanja na nastavku svrdla, uvijek nosite zaštitne rukavice.

1. Otpustite i uklonite sigurnosni vijak s nastavka svrdla za led.
2. Gornji kraj nastavka svrdla postavite na pogonsku osovinu pogonske jedinice (sl. B1).
3. Poravnajte spojne rupe na nastavku svrdla i pogonskoj osovini.
4. Za pričvršćivanje nastavka svrdla na pogonsku osovinu upotrijebite sigurnosni vijak. Za čvrsto pritezanje sigurnosnog vijka upotrijebite priloženi inbus ključ od 6 mm (sl. B2).

B1-1	Pogonska osovin	B1-2	Gornji kraj nastavka svrdla za led
B2-1	Pogonska osovin	B2-2	Sigurnosni vijak
B2-3	Ravna strana		

**NAPOMENA!** Provjerite da li je sigurnosni vijak umetnut u spojne rupe s ravne strane rupe nastavka svrdla.

### RAD

#### PRIMJENA

Ovaj proizvod možete upotrebljavati za svrhe navedene u nastavku:

- bušenje rupa u ledu nastavkom svrdla za led.

**POKRETANJE/ZAUSTAVLJANJE SVRDLA ZA LED**  
Pogledajte odjeljak "POKRETANJE/ZAUSTAVLJANJE POGONSKE JEDINICE" u korisničkom priručniku pogonske jedinice PHA7400E.

**NAPOMENA!** Nosite zaštitne rukavice i uklonite štitnik noža za led prije pokretanja proizvoda.

#### RAD SA SVRDLIM ZA LED

##### ⚠ UPOZORENJE!

- Prije upotrebe mašine obratite se lokalnom komunalnom preduzeću za informacije o označavanju podzemnih vodova i kako biste izbjegli kontakt s njima.
- Svrdlo za led nemojte upotrebljavati u svrhu drugačiju od predviđene.
- Svrdlo za led upotrebljavajte samo za bušenje rupa u ledu.
- Izbjegavajte kopanje u materijal za koji sumnjate da može sadržavati skrivene eksere ili druge stvari koje bi mogle uzrokovati zaglavljivanje ili lom nastavka svrdla.
- Obratite pažnju na silu reakcije obrtnog momenta mašine. Uvijek zadržite radni položaj tako da možete izdržati silu reakcije obrtnog momenta.
- Budite posebno oprezni kada radite na nagibima ili neravnim površinama.

**NAPOMENA!** Prije upotrebe provjerite da u otvorima ili pokretnim dijelovima nema stranih tijela (pjesak, prljavština, itd.).

- a. Vodite računa da vam stopala budu čvrsto postavljena iznad radne površine i stanite tako da vam rukohvati budu blizu struka. Desni rukohvat čvrsto držite desnom rukom, a lijevi rukohvat lijevom rukom (sl. C1).

C1-1	Desni rukohvat	C1-2	Lijevi rukohvat
------	----------------	------	-----------------

**⚠ UPOZORENJE!** Desni rukohvat nemojte nikada držati lijevom rukom niti lijevi rukohvat desnom rukom. Nepravilni položaji ruku mogu rezultirati teškim povredama (sl. C2).

**⚠ UPOZORENJE!** Izbjegavajte nepravilno pozicioniranje (sl. C3). Nemojte stajati predaleko od mašine. U slučaju povratnog udara, pravilna reakcija i kontrola možda neće biti moguće.

- b. Nastavak svrdla držite podalje od tijela i usmjerite ga prema dolje pod uglom od 90° u odnosu na površinu.
- c. Podesite smjer i brzinu okretanja.
- d. Podignite mašinu iznad površine. Pritisnite dugme za zaključavanje i držite ga pritisnutim, a zatim pritisnite okidni prekidač.

**⚠ UPOZORENJE!** Nastavak svrdla nemojte dodirivati kada je proizvod uključen.

- e. Pričekajte da svrdlo postigne punu brzinu.
- f. Spustite nastavak svrdla u površinu i pritom održavajte ugao od 90° (sl. C4). Pričekajte da nastavak svrdla zahvati u materijal i pustite da mašina odradi posao.
- g. Kako se nastavak svrdla puni materijalom, važno ga je stalno čistiti kako biste postigli čist rez i smanjili napor – dok svrdlo radi punom brzinom, polako ga podignite iz rupe i pričekajte da se materijal ukloni s nastavka svrdla.
- h. Nakon upotrebe ove mašine, otpustite okidni prekidač i pričekajte da se svrdlo potpuno zaustavi.
- i. Kada napuštate mašinu, na primjer za vrijeme pauze, nemojte je ostavljati zabodenu u led niti naslanjati na zid. Postavite štitnik noža na nastavak svrdla za led i postavite mašinu u stabilan položaj.

#### SAVJETI ZA UPOTREBU SVRDLA ZA LED

- Kopanje se neće ubrzati pretjeranim pritiskom na mašinu. Pretjerani pritisak samo će oštetiti vrh nastavka svrdla, smanjiti performanse mašine i skratiti radni vijek mašine.
- Kada bušite duboku rupu ili glinasto tlo, nemojte pokušavati kopati odjednom. Kada kopate rupu, podižite mašinu gore-dolje kako biste omogućili uklanjanje rastresite zemlje iz rupe.
- Ako se brzina okretanja mašine uspori zbog velikog opterećenja, lagano podignite mašinu i pomičite je gore-dolje za bušenje u malim koracima.
- Zaglavljen nastavak svrdla može se jednostavno ukloniti postavljanjem svrdla u obrnut smjer kako bi se oslobodio. Prilikom postavljanja u obrnut smjer poduprite mašinu svojim tijelom da spriječite reakciju u smjeru kretanja kazaljki na satu.
- Prije upotrebe nastavka svrdla za led na zaleđenim ribnjacima, jezerima ili branama, obratite se lokalnim službama i poduzmite sve potrebne mjere opreza kako biste osigurali sigurnu debljinu leda.
- Kada vadite svrdlo za led iz rupe, podignite mašinu okomito tako da nastavak izađe ravno i bez naginjanja. Kako biste na minimum sveli prskanje prilikom bušenja rupa u ledu, okidni prekidač odmah otpustite kada svrdlo za led probije led. Polako podignite mašinu. Pokrijte izbušene rupe i jasno ih označite tako da niko ne može upasti u rupu.

#### ODRŽAVANJE

**⚠ UPOZORENJE!** Prije servisiranja, čišćenja, zamjene priključaka ili uklanjanja materijala s jedinice uklonite komplet baterija iz proizvoda da izbjegnute teške tjelesne povrede.

#### OSNOVNO ODRŽAVANJE

Kada čistite plastične dijelove, izbjegavajte upotrebljavati rastvore. Mnoge plastike mogu se oštetiti različitim vrstama komercijalnih rastvora i mogu se oštetiti njihovom upotrebom. Za uklanjanje prljavštine, prašine, ulja, masti i sl. upotrebljavajte čistu krpu.

**⚠ UPOZORENJE!** Nemojte nikada dozvoliti da kočione tekućine, benzin, proizvodi na bazi nafte, penetrirajuća ulja i sl., dođu u kontakt s plastičnim dijelovima. Hemikalije mogu oštetiti, oslabiti ili uništiti plastiku, što može rezultirati teškim tjelesnim povredama.

#### ZAMJENA NOŽEVA ZA LED

Ako svrdlo za led odskakuje po ledu ili sporo reže led prilikom bušenja rupa u ledu, možda je potrebno zamijeniti noževe za led.

Potrebni alati: inbus ključ od 6 mm (u sadržaju isporuke), inbus ključ od 3 mm (nije u sadržaju isporuke).

1. Izvadite komplet baterija iz svrdla i uklonite nastavak svrdla za led s pogonske osovine pogonske jedinice otpuštanjem i uklanjanjem sigurnosnog vijka inbus ključem od 6 mm.
2. Nosite zaštitne rukavice i uklonite štitnik noža za led (sl. D1).
3. Inbus ključem od 3 mm otpustite i uklonite vijke i noževe za led s nastavka svrdla za led (sl. D2).
4. Postavite nove noževe i čvrsto ih pritegnite.
5. Postavite štitnik noža.

D1-1	Štitnik noža	D1-2	Noževi za led
D2-1	Vijak	D2-2	Nož za led

## SKLADIŠTENJE NASTAVKA SVRDLA ZA LED

1. Izvadite komplet baterija.
2. Nastavak svrdla uklonite s pogonske osovine pogonske jedinice.
3. Nastavak svrdla dobro očistite prije skladištenja.
4. Na nastavak svrdla za led postavite štitnik noža.
5. Nastavak svrdla skladištite na suhom, dobro prozračenom mjestu koje je moguće zaključati ili koje je na visini, izvan dohvata djece. Nastavak svrdla nemojte skladištiti na gnojivima, benzinu ili drugim hemikalijama ili u njihovoj blizini.

### Zaštita životne sredine



Električnu opremu, iskorištenu bateriju i punjač ne odlažite u kućni otpad! Ovaj proizvod odnesite u ovlašteni centar za reciklažu i time omogućite odvojeno sakupljanje. Električne alate potrebno je vratiti u ekološki prihvatljiv pogon za reciklažu.

**KEES VAN DER SPEK**  
TUIN EN PARKMACHINES ★ TER AAR

## RJEŠAVANJE PROBLEMA

PROBLEM	UZROK	RJEŠENJE
Mašina se ne može pokrenuti ili se neočekivano zaustavlja.	<ul style="list-style-type: none"> <li>■ Nizak kapacitet kompleta baterija.</li> <li>■ Komplet baterija je pregrijan ili previše hladan.</li> <li>■ Kabel desnog rukohvata nije pravilno spojen s kabelom pogonske jedinice.</li> </ul>	<ul style="list-style-type: none"> <li>■ Napunite komplet baterija.</li> <li>■ Pričekajte da se komplet baterija ohladi ili zagrije, a zatim ponovo možete pokrenuti svrdlo.</li> <li>■ Spojite kabele desnog rukohvata i pogonske jedinice prema uputstvima u odjeljku "POSTAVLJANJE RUKOHVATA" u korisničkom priručniku pogonske jedinice PHA7400E.</li> </ul>
Tokom rada ima previše buke i/ili vibracija.	<ul style="list-style-type: none"> <li>■ Neki dijelovi su otpušteni.</li> </ul>	<ul style="list-style-type: none"> <li>■ Zaustavite svrdlo, uklonite komplet baterija, provjerite i pritegnite sve otpuštene dijelove.</li> </ul>
Motor radi, ali nastavak svrdla se ne pokreće.	<ul style="list-style-type: none"> <li>■ Otpušten nastavak svrdla.</li> </ul>	<ul style="list-style-type: none"> <li>■ Ponovo postavite nastavak svrdla prema uputstvima u odjeljku "POSTAVLJANJE NASTAVKA SVRDLA ZA LED" u ovom priručniku.</li> </ul>
Svrdlo za led odskakuje po ledu ili sporo reže led.	<ul style="list-style-type: none"> <li>■ Noževi su tupi ili oštećeni.</li> </ul>	<ul style="list-style-type: none"> <li>■ Postavite nove noževe prema uputstvima u odjeljku "ZAMJENA NOŽEVA ZA LED" u ovom priručniku.</li> </ul>
Smjer ili brzina okretanja svrdla ne mijenja se nakon pomicanja birača smjera/brzine okretanja.	<ul style="list-style-type: none"> <li>■ Promjena smjera okretanja između naprijed i unazad moguća je samo kada se svrdlo zaustavi.</li> <li>■ Ostali nedefinirani uzroci.</li> </ul>	<ul style="list-style-type: none"> <li>■ Potpuno zaustavite svrdlo, gurnite birač smjera/brzine okretanja na željenu postavku okretanja, a zatim ponovo pokrenite svrdlo.</li> <li>■ Za popravak se obratite servisnom centru proizvođača EGO.</li> </ul>

## GARANCIJA

### POLITIKA GARANCIJE PROIZVOĐAČA EGO

Za sve odredbe i uslove politike garancije proizvođača EGO posjetite internetsku stranicu [egopowerplus.eu](http://egopowerplus.eu).

**KEES VAN DER SPEK**  
TUIN EN PARKMACHINES ✦ TER AAR

**KEES VAN DER SPEK**  
TUIN EN PARKMACHINES ✦ TER AAR

## استكشاف الأعطال وإصلاحها

المشكلة	السبب	الحل
تم بدء تشغيل الآلة أو إيقاف تشغيلها بشكل غير متوقع.	<ul style="list-style-type: none"> <li>شحن مجموعة البطارية منخفض.</li> <li>مجموعة البطارية ساخنة للغاية أو باردة للغاية.</li> <li>كابل المقبض الأيمن غير متصل بكابل رأس الطاقة بشكل صحيح.</li> </ul>	<ul style="list-style-type: none"> <li>اشحن مجموعة البطارية.</li> <li>انتظر إلى أن تبرد مجموعة البطارية أو تسخن، وعندما يمكن تشغيل البريمة مرة أخرى.</li> <li>قم بتوصيل كوابل المقبض الأيمن ورأس الطاقة باتتباع قسم "تركيب المقابض" في دليل تشغيل رأس الطاقة PHA7400E.</li> </ul>
هناك ضوضاء و/أو اهتزاز شديدان في أثناء التشغيل.	<ul style="list-style-type: none"> <li>بعض الأجزاء مفكوكة.</li> </ul>	<ul style="list-style-type: none"> <li>أوقف البريمة وأزل مجموعة البطارية، ثم تحقق من وجود أي أجزاء مفكوكة وارتبطها.</li> </ul>
يعمل المحرك، ولكن لقمة البريمة لا تتحرك.	<ul style="list-style-type: none"> <li>لقمة البريمة مفكوكة.</li> </ul>	<ul style="list-style-type: none"> <li>أعد تركيب لقمة البريمة، وذلك باتتباع قسم "تركيب لقمة بريمة حفر الثلج" من هذا الدليل.</li> </ul>
بريمة حفر الثلج ترتد من الثلج أو تقطع ببطء عبر الثلج.	<ul style="list-style-type: none"> <li>الشفرات غير حادة أو تالفة.</li> </ul>	<ul style="list-style-type: none"> <li>استبدل الشفرات بشفرات جديدة باتتباع التعليمات في قسم "استبدال شفرات الثلج" من هذا الدليل.</li> </ul>
لا يتم تفعيل اتجاه دوران البريمة أو سرعتها المحددة بعد الضغط على مفتاح محدد اتجاه الدوران/محدد السرعة.	<ul style="list-style-type: none"> <li>لا يمكن تبديل اتجاه الدوران بين الحركة إلى الأمام والدوران العكسي إلا بعد إيقاف البريمة.</li> <li>أسباب أخرى غير محددة.</li> </ul>	<ul style="list-style-type: none"> <li>أوقف البريمة تمامًا، وادفع مفتاح اتجاه الدوران/محدد السرعة إلى اتجاه الدوران المطلوب، ثم ابدأ تشغيل البريمة مرة أخرى.</li> <li>تواصل مع مركز صيانة شركة EGO لإصلاح العيب.</li> </ul>

## الضمان

### سياسة ضمان EGO

تفضل بزيارة الموقع الإلكتروني [egopowerplus.eu](http://egopowerplus.eu) للتعرف على الشروط والأحكام الكاملة الخاصة بسياسة ضمان EGO.

5. قم بتثبيت واقي الشفرة.

D1-1	واقي الشفرة	D1-2	شفرات الثلج
D2-1	مسمار	D2-2	شفرة الثلج

## تخزين لقمة بريمة حفر الثلج

1. اخلع مجموعة البطارية.
2. قم بإزالة لقمة البريمة من عمود محرك رأس الطاقة.
3. نظف لقمة البريمة جيدًا قبل تخزينها.
4. قم بتثبيت واقي الشفرة على لقمة بريمة حفر الثلج.
5. خزن لقمة البريمة في منطقة جافة جيدة التهوية، بحيث تكون في مكان مقفل أو عالٍ عن سطح الأرض بعيدًا عن متناول أيدي الأطفال. لا تقم بتخزين لقمة البريمة على الأسمدة أو البنزين أو المواد الكيميائية الأخرى، أو بجوارها.

## حماية البيئة

لا تتخلص من المعدات الكهربائية أو البطارية المستهلكة أو الشاحن في النفايات المنزلية! بل توجه بهذا المنتج إلى مركز إعادة تدوير معتمد ليكون متاحًا للفرز بشكل منفرد. يجب إعادة الآلات الكهربائية إلى مرفق إعادة تدوير صديق للبيئة.



■ لن يؤدي الضغط المفرط على الآلة إلى تسريع عملية الحفر. لن يؤدي الضغط المفرط إلا إلى إتلاف لقمة البريمة وتقليل أداء الآلة وتقصير عمر خدمتها.

■ عند حفر حفرة عميقة أو الحفر في التربة الطينية، لا تحاول تنفيذ الحفر مرة واحدة. احفر الحفرة عن طريق رفع الآلة إلى أعلى وخفضها إلى أسفل حتى يمكن ترغيف التربة الرخوة في الحفرة.

■ إذا تباطأت سرعة دوران الآلة بسبب التشغيل عالي الحمل، ارفع الآلة قليلاً، وحرك الآلة إلى أعلى وأسفل للحفر بخطوات صغيرة.

■ يمكن إزالة لقمة البريمة العالقة ببساطة عن طريق ضبط البريمة على وضع الدوران العكسي من أجل سحبها. في وضع الدوران العكسي، قم بتثبيت الآلة بالقرب من جسمك لمنع حدوث رد فعل عكسي في اتجاه عقارب الساعة.

■ قبل العمل باستخدام لقمة بريمة حفر الثلج في البرك أو البحيرات أو الأبخرة المتجمدة، راجع السلطات المحلية واتخذ جميع الاحتياطات اللازمة للتأكد من السُّكِّم الآمن للثلج.

■ عند إخراج لقمة بريمة حفر الثلج من الفتحة، ارفع الآلة عمودياً بحيث تخرج لقمة بريمة حفر الثلج بشكل مستقيم دون أن تتأرجح. لتقليل تناثر الثلج عند حفر فتحات في الثلج، حرر المفكاح الزنبركي فوراً عندما تدخل لقمة بريمة حفر الثلج في الثلج. ارفع الآلة ببطء. قم بتغطية أماكن الحفر وضع علامات واضحة عليها لمنع أي شخص من السقوط في الحفرة.

## الصيانة

⚠ **تحذير:** لمنع التعرض لإصابات شخصية خطيرة، اخلع مجموعة البطارية من المنتج قبل إجراء أعمال الصيانة، أو التنظيف، أو تغيير المرفقات، أو إزالة المواد من الوحدة.

### الصيانة العامة

تجنب استخدام المنظفات عند تنظيف الأجزاء البلاستيكية. غالبية المكونات البلاستيكية تكون سريعة التآثر بالأنواع المختلفة للمنظفات الموجودة بالسوق، وقد تتلف نتيجة استخدامها عليها. استخدم قطعة قماش نظيفة لإزالة الأوساخ والأتربة والزيوت والشحوم وما شابههم.

⚠ **تحذير:** لا تسمح في أي وقت من الأوقات بملامسة سوائل الفرمال أو البنزين أو المنتجات القائمة على البنزول أو الزيت المتغلغل أو ما شابههم للأجزاء البلاستيكية. لأن المواد الكيميائية قد تتسبب في تلف الأجزاء البلاستيكية أو ضعفها أو تدميرها، وهو ما قد يؤدي إلى وقوع إصابات خطيرة.

### استبدال شفرات الثلج

إذا ارتدت بريمة حفر الثلج من الثلج أو كانت تقطع ببطء في الثلج عند عمل حفر في الثلج، فربما تحتاج إلى استبدال شفرات الثلج. الأدوات المطلوبة: مفتاح الانكيه 6 مم (مرفق) مفتاح الانكيه 3 مم (غير مرفق)

1. قم بإزالة مجموعة البطارية من البريمة، وقم بإزالة لقمة بريمة حفر الثلج من عمود المحرك الخاص برأس الطاقة باستخدام مفتاح الانكيه مقاس 6 مم لفك مسامير الفحل وإزالته.
2. ارتد قفازات واقية، وقم بإزالة واقي شفرة الثلج (الشكل D1).
3. باستخدام مفتاح الانكيه مقاس 3 مم، قم بفك المسامير وشفرات الثلج وإزالتها من لقمة بريمة حفر الثلج (الشكل D2).
4. استبدلها بشفرات جديدة، وقم بربطها بإحكام.

## تحذير:

■ تواصل مع سلطات المرافق المحلية لتحديد أماكن الخدمات الممدودة تحت الأرض قبل استخدام الآلة لتجنب ملامسة الآلة للثلاث المرافق.

■ تجنب استخدام بريمة حفر الثلج لأي غرض غير تلك الأغراض المخصصة لها.

■ يجب استخدام بريمة حفر الثلج لعمل حفر في الثلج فقط.

■ تجنب الحفر في المواد التي تشك في احتوائها على مسامير مخفية أو أشياء أخرى قد تتسبب في انجسار لقمة البريمة أو انكسارها.

■ ابق مقيظاً لقوة رد فعل عزم الدوران للآلة. حافظ دائماً على وضع تشغيل ثابت بحيث يمكنك تحمل قوة رد فعل عزم الدوران.

■ كن حذراً للغاية عند العمل على الأراضي الزلقة أو غير المعدة.

**ملاحظة:** قبل التشغيل، تأكد من عدم وجود مواد غريبة (الرمال والأوساخ وغيرها) عالقة في الفتحات أو الأجزاء المتحركة.

a. تأكد من ثبات القدمين بقوة فوق سطح العمل والوقوف بحيث تكون المفايض بالقرب من الخصر. أمسك المقبض الأيمن بيدك اليمنى والمقبض الأيسر بيدك اليسرى (الشكل C1).

C1-1	المقبض الأيمن	C1-2	المقبض الأيسر
------	---------------	------	---------------

⚠ **تحذير:** لا تمسك مطلقاً بالمقبض الأيمن بيدك اليسرى والمقبض الأيسر بيدك اليمنى. قد تؤدي أوضاع اليد غير الصحيحة إلى وقوع إصابة خطيرة (الشكل C2).

⚠ **تحذير:** تجنب اتخاذ وضعية جسد غير مناسبة (الشكل C3). لا تقف بعيداً جداً عن الآلة. قد لا يتم تحقيق رد الفعل والتحكم المناسبين في حالة حدوث رد فعل عكسي.

b. أبق لقمة البريمة بعيداً عن جسمك مع توجيه لقمة البريمة إلى أسفل بزاوية 90 درجة على السطح.

c. حدد اتجاه الدوران وسرعة الدوران.

d. ارفع الآلة فوق السطح. اضغط مع التثبيت على زر الفحل واضغط على المفكاح الزنبركي.

⚠ **تحذير:** لا تلمس لقمة البريمة بينما المنتج قيد التشغيل. اترك البريمة تصل إلى سرعتها الكاملة.

f. اخفض لقمة البريمة حتى السطح مع المحافظة على زاوية 90 درجة (الشكل C4). اسمح للقمة البريمة أن تثقب مادة الأرض، ودع الآلة تقوم بالعمل بدلاً عنك.

g. عندما تبدأ لقمة البريمة في الامتلاء بالحطام، فمن المهم تنظيفها بانتظام لعمل قطع نظيف وتقليل الجهد المطلوب - في أثناء عمل البريمة بكامل سرعتها، ارفعها ببطء من الفتحة واطرد الحطام يتساقط من لقمة البريمة.

h. بعد استخدام هذه الآلة، حرر المفكاح الزنبركي واطرد البريمة إلى أن تتوقف تماماً.

i. عند ترك الآلة بمفردها، على سبيل المثال في أثناء استراحة، لا تترك الآلة مدحلة في الثلج أو مائلة ناحية جدار. يجب تركيب واقي الشفرة على لقمة بريمة حفر الثلج، وقم بتخزين الآلة في وضع ثابت.

**نصائح خاصة باستخدام بريمة حفر الثلج**

والتأثير بالسلب على الأمان.

اسم القطعة	رقم الطراز
شفرة لقمة بريمة حفر الثلج	AB08001

## قائمة المحتويات (الشكل A)

### الوصف

#### تعرف على لقمة بريمة حفر الثلج (الشكل A)

1. لقمة بريمة حفر الثلج
2. مسمار القفل
3. واقي الشفرة
4. شفرة الثلج
5. مفتاح الأنكيه (6 مم) التجميع

#### تركيب لقمة بريمة حفر الثلج

**⚠ تحذير:** لقمة البريمة حادة للغاية. لمنع الإصابة الشخصية، يجب توخي الحذر الشديد عند تنظيف لقمة البريمة أو تركيبها أو إزالتها. احرص دائماً على ارتداء قفازات حماية عند تنفيذ أعمال الصيانة على لقمة البريمة.

1. قم بفك مسمار القفل وإزالته من لقمة بريمة حفر الثلج.
2. قم بتركيب الطرف العلوي من لقمة البريمة على عمود محرك رأس الطاقة (الشكل B1).
3. قم بمحاذاة فتحات التوصيل الموجودة بلقمة البريمة وعمود المحرك.
4. استخدم مسمار القفل لتثبيت لقمة البريمة في عمود المحرك. استخدم مفتاح الأنكيه مقاس 6 مم المرفق لربط مسمار القفل بإحكام (الشكل B2).

B1-1	عمود المحرك	B1-2	الطرف العلوي من لقمة بريمة حفر الثلج
B2-1	عمود المحرك	B2-2	مسمار القفل
B2-3	الجانب المسطح		

**ملاحظة:** تأكد من إدخال مسمار القفل في فتحات التوصيل من الجانب المسطح لفتحة لقمة البريمة.

### التشغيل

#### الاستخدامات

يمكنك استخدام هذا المنتج للأغراض الموضحة أدناه:

- عمل حفر في الثلج باستخدام لقمة بريمة حفر الثلج.

#### بدء تشغيل/إيقاف لقمة حفر الثلج

راجع قسم "تشغيل/إيقاف رأس الطاقة" الموجود في دليل تشغيل رأس الطاقة PHA7400E.

**ملاحظة:** ارتد قفازات واقية، وقم بإزالة واقي شفرة الثلج قبل بدء تشغيل المنتج.

#### العمل باستخدام لقمة حفر الثلج

■ شفرات الثلج حادة جداً. توخ الحذر الشديد عند حفر حفرة أو استبدال الشفرات. يجب تركيب واقي الشفرة بعد كل استخدام.

■ تحقق بشكل متكرر وتأكد من تثبيت مسمار القفل في مكانه. لا تستخدم أي مجموعات بطارية أو شواحن غير تلك المحددة للمنتج.

احفظ هذه التعليمات. راجعهم باستمرار واستخدمهم لتوجيه الآخرين عند استخدام هذه الآلة. إذا أعرت هذه الآلة شخصاً آخر، أعره أيضاً هذه التعليمات معها لمنع الاستخدام الخاطئ للمنتج والتعرض للإصابات المحتملة.

### المواصفات

قطر لقمة البريمة/ الفتحة	200 مم
الحد الأقصى لعمق الحفر	990 مم
الوزن (من دون مجموعة البطارية)	3.7 كجم
درجة حرارة التشغيل الموصى بها	-20 درجة مئوية إلى 40 درجة مئوية
درجة حرارة التخزين الموصى بها	-40 درجة مئوية إلى 70 درجة مئوية
قوة يو.تسم	97.6 ديسيل (أ)
L <sub>WA</sub> توصلا	3=K ديسيل (أ)
طغض يو.تسم	89.6 ديسيل (أ)
L <sub>PA</sub> توصلا	3=K ديسيل (أ)
المقبض الأيمن	2.52 م/ثانية <sup>2</sup> 1.5=K م/ثانية <sup>2</sup>
المقبض الأيسر	2.45 م/ثانية <sup>2</sup> 1.5=K م/ثانية <sup>2</sup>
الاهتزاز a <sub>h</sub>	

■ تم قياس القيمة الكلية للاهتزاز الموضحة وفقاً لطريقة اختبار قياسية وقد تستخدم لمقارنة آلة بأخرى.

■ كما يمكن استخدام القيمة الكلية للاهتزاز الموضحة في التقييم التمهيدي للتعرض.

**ملاحظة:** قد تختلف انبعاثات الاهتزاز أثناء الاستخدام الفعلي للآلة عن القيمة المعلنة التي يتم استخدامها الآلة فيها؛ ولحماية مشغل الآلة، ينبغي على المستخدم ارتداء قفازات وواقبات للأذن في ظروف الاستخدام الفعلية.

### الملحقات الموصى بها

**تحذير:** استخدم فقط الملحقات المذكورة أدناه. لأن استخدام ملحقات لا تتوافق مع مواصفات المعدات الأصلية قد يؤدي إلى الأداء غير السليم

- لا تستخدم البريمة مطلقاً مع وجود المقابض فوق مستوى الخصر. فإذا بقيت السيطرة على البريمة، وقد يزيد من خطر الإصابة.
- أمسك الآلة بكلتا يديك من المقابض المخصصة لذلك. قد يؤدي فقد السيطرة على الآلة إلى إصابات شخصية.
- أمسك بالآلة من أسطح الإمساك المعزولة، وذلك عند القيام بأعمال قد يلحق فيها ملحق الحفر بأسلاك مخفية، ملحق الحفر الذي يلامس سلكاً "يبر به تيار" قد يجعل الأجزاء المعدنية من الآلة "يبر بها تيار"، وهو ما قد يتسبب في تعرض المستخدم لصدمة كهربائية.
- للحد من خطر التعرض لصدمة كهربائية، احرص على ألا تستخدم البريمة بالقرب من أي كابلات تيار كهربائي مدفونة في الأرض. لأن ملامستها لكابلات التيار الكهربائي المدفونة أو استخدامها بالقرب منها قد يتسبب في وقوع إصابات خطيرة أو التعرض لصدمة كهربائية قد تؤدي للوفاة.
- احرص دائماً على بدء تشغيل الآلة عند سرعة منخفضة مع ملامسة حافة لقمة الحفر للأرض. فعند السرعات العالية، تميل اللقمة إلى الانثناء إذا تم تركها تدور في الهواء دون ملامسة الأرض التي سيتم العمل عليها، وهو ما قد يؤدي إلى وقوع إصابات شخصية.
- يكون تطبيق الضغط في خط مستقيم باستخدام اللقمة، مع مراعاة عدم تطبيق ضغط زائد عن الحد. قد تنتهي اللقمة، وهو ما قد يؤدي لانكسارها أو فقد السيطرة عليها، وبالتالي قد تقع إصابات شخصية.
- احرص دائماً على ثبات موضع قدميك، تأكد من عدم وجود أي شخص في الأسفل عند استخدام الآلة في المواقع المرتفعة.
- أمسك الآلة بقوة.
- احتفظ باليدين بعيداً عن الأجزاء المتحركة.
- لا تترك الآلة وهي تعمل. بل يجب تشغيل الآلة فقط عندما تكون محمولة باليد.
- لا تلمس البريمة بعد التشغيل مباشرة. فقد تكون ساخنة للغاية ويمكن أن تحرق جلدهك.
- إذا حدث خطأ ما في الآلة، مثل الأصوات غير الطبيعية، فتوقف عن العمل على الفور واتصل بمركز الصيانة المحلي للإصلاح.
- للحد من خطر الانفجار، لا تستخدم البريمة مطلقاً بالقرب من أي خطوط غاز مدفونة، بما في ذلك خطوط المياه والأنابيب. قد تؤدي ملامسة خطوط المياه أو الغاز المدفونة أو استخدام الآلة بالقرب منها إلى ثقب خطوط المياه أو انفجار خطوط الغاز، مما قد يتسبب في إصابة خطيرة أو الوفاة.
- لا تقم بأي حال من الأحوال بتشغيل الآلة على سرعة أعلى من الحد الأقصى للسرعة المقرر لللقمة البريمة. فعند السرعات العالية، تميل اللقمة إلى الانثناء إذا تم تركها تدور في الهواء دون ملامسة القطعة التي سيتم العمل عليها، وهو ما قد يؤدي إلى وقوع إصابات شخصية.
- لا تحتاج الآلات العاملة بالبطارية إلى توصيلها بمصدر تيار كهربائي؛ ولهذا فهي دائماً ما تكون جاهزة للتشغيل. احذر المخاطر المحتملة، حتى عند عدم تشغيل الآلة. كن حذراً عند تنفيذ أعمال الصيانة أو الخدمة.
- لا تغسل المنتج بخرطوم الماء؛ وتجنب وصول الماء إلى المحرك والتوصيلات الكهربائية.

■ احتفظ بالمقابض وأسطح الإمساك جافة ونظيفة وخالية من الزيوت والشحوم. لأن المقابض وأسطح الإمساك المنزلة لا تمنحك القدرة على التعامل والتحكم الأمنين في الآلة في المواقف غير المتوقعة.

## استخدام الآلة العاملة بالبطارية والعناية بها

- لا تُعد شحن الآلة إلا باستخدام الشاحن المحدد بواسطة الشركة الصانعة. فالشاحن الملائم لنوع ما من مجموعات البطارية قد يتسبب في نشوب حريق إذا تم استخدامه مع مجموعة بطارية أخرى.
- استخدم الآلات مع مجموعات البطارية المخصصة لها فقط. لأن استخدام أي مجموعات بطارية أخرى قد يؤدي إلى التعرض لإصابات أو نشوب حريق.
- عند عدم استخدام مجموعة البطارية، احتفظ بها بعيداً عن الأغراض المعدنية الأخرى مثل مشابك الأوراق أو العملات المعدنية أو المفاتيح أو المسامير أو البراغي أو الأغراض المعدنية الصغيرة الأخرى التي قد يتسبب في عمل دائرة قصر (ماس كهربائي) بين أقطاب البطارية. لأن عمل دائرة قصر (ماس كهربائي) بين أطراف البطارية قد يتسبب في حروق أو نشوب حريق.

■ في حالات التعامل السيء، قد يحدث ارتشاح للسوائل من البطارية؛ لا تلامسه. إذا حدثت ملامسة بشكل عرضي، فاغسلها بالماء. إذا لامس السائل العينين، فاطلب المساعدة الطبية على الفور. السائل المرتشح من البطارية قد يتسبب في حدوث احتياج في الجلد أو حروق.

■ لا تستخدم مجموعة البطارية أو الآلة إذا كانا تالفيين أو تم إدخال تعديلات عليهما. لأن البطاريات التالفة أو التي تم تعديلها قد تعمل بشكل غير متوقع، وهو ما قد يؤدي لنشوب حريق أو حدوث انفجار أو خطر التعرض لإصابة.

■ لا تقم بتعريض مجموعة البطارية أو الآلة للحريق أو درجات الحرارة الزائدة. التعرض لدرجات الحرارة الأعلى من 130 درجة مئوية قد يؤدي لحدوث انفجار.

■ اتبع تعليمات الشحن ولا تشحن مجموعة البطارية أو الآلة في نطاق درجة حرارة خارج النطاق المحدد في التعليمات. قد يؤدي الشحن غير المضبوط أو في درجات حرارة خارج النطاق المسموح به إلى تلف البطارية وخطر نشوب حريق.

## الصيانة

- ينبغي إجراء الصيانة على الآلة بواسطة فني إصلاح متخصص باستخدام قطع غيار أصلية مطابقة فقط. فهذا يضمن المحافظة على سلامة الآلة.
- لا تقم بصيانة مجموعات البطارية التالفة بأي حال من الأحوال. بل ينبغي أن تكون صيانة مجموعات البطارية من خلال الشركة الصانعة أو مقدمي الخدمة المعتمدين فقط.

## تحذيرات السلامة الخاصة ببريمة حفر الثلج

■ استبدل البريمات في حال تشققها أو انثنائها أو تلفها بأي شكل من الأشكال. يمكن أن يؤدي تشغيل الآلة مع بريمة تالفة إلى وقوع إصابة خطيرة.

## تحذيرات السلامة العامة الخاصة بالآلة

**⚠ تحذير:** اقرأ جميع تحذيرات السلامة والتعليمات والرسوم التوضيحية والمواصفات المرفقة مع هذه الآلة. عدم اتباع جميع التعليمات الواردة أدناه قد يؤدي إلى حدوث صدمة كهربائية أو نشوب حريق أو التعرض للإصابة، أدها أو جميعها.

احتفظ بجميع التحذيرات والتعليمات للرجوع إليها في المستقبل.

### سلامة منطقة العمل

حافظ على منطقة العمل نظيفة ومضاءة جيدًا، حيث عادة ما تتسبب المناطق المظلمة أو التي بها ركام إلى وقوع حوادث.

لا تقم بتشغيل الآلات في أجواء قابلة للانفجار، على سبيل المثال في وجود سوائل أو مواد بترولية أو غاز قابلة للاشتعال. فقد تتسبب الآلات في صدور شرارة، والتي قد تتسبب في اشتعال الغاز أو الأبخرة القابلة للاشتعال.

احتفظ بالأطفال والمشاهدين بعيدًا عن موقع استعمال الآلة. حيث أن الإلهاء قد تجعلك تفقد السيطرة على الآلة.

### السلامة الكهربائية

ينبغي أن يتوافق قابس الآلة مع مقيس التيار. لا يجب إدخال تعديلات على القابس بأي حال من الأحوال. لا تستخدم أي قوابس مهبائية مع الآلات المؤتمتة. ستؤدي القوابس غير المُعتلة والمقابس المتوافقة إلى الحد من خطر حدوث صدمة كهربائية.

تجنب ملامسة الجسم لأسطح موزعة مثل الأبواب والمشعاع والموافد والتلجعات. هناك خطر متزايد لحدوث صدمة كهربائية إذا كان جسمك موزعًا.

لا تقم بتعريض الآلات للمطر أو الأجواء الرطبة. حيث سيؤدي الماء الذي يدخل إلى الآلة إلى زيادة خطر حدوث صدمة كهربائية.

لا تعبت بسلك التيار. لا تقم أبداً باستخدام سلك التيار لحمل الآلة أو سحبها أو فصلها عن التيار. احتفظ بالسلك بعيدًا عن مصادر الحرارة أو الزيت أو الحواف الحادة أو الأجزاء المتحركة. تؤدي أسلاك التيار التالفة أو المتشابكة إلى زيادة خطر حدوث صدمة كهربائية.

عند تشغيل آلة في مكان خارجي مفتوح، استخدم سلك تمديد ملائم للاستخدام الخارجي. استخدم سلك ملائم للاستخدام الخارجي بحد من خطر حدوث صدمة كهربائية.

إذا كان لا بد من تشغيل الآلة في مكان رطب، فاستخدم مصدر تيار محمي بقاطع تيار موزع (GFCI). يؤدي استخدام قاطع تيار موزع إلى الحد من خطر حدوث صدمة كهربائية.

### السلامة الشخصية

ابق منتبهًا، وانتبه جيدًا لما تفعله، وكن عقلانيًا عند تشغيل الآلة. لا تستخدم أي آلة وأنت مجهود أو تحت تأثير المخدرات أو الكحوليات أو الأدوية. قد تؤدي لحظة من عدم الانتباه أثناء تشغيل الآلات إلى حدوث إصابات شخصية خطيرة.

استعن بمعدات الحماية الشخصية. وارتد دائمًا أدوات حماية للعينين. سيؤدي استخدام أدوات الحماية كقناع الغاز أو أذنية السلامة المضادة للانزلاق أو القبعة الصلبة أو أدوات حماية السمع في ظروف مناسبة إلى الحماية من الإصابات الشخصية.

■ امنع بدء تشغيل الآلة غير المتعمد. احرص على أن يكون مفتاح الطاقة في وضع الإيقاف قبل توصيل الآلة بمصدر التيار أو مجموعة البطاريات، أو التقاط الآلة أو حملها. إذا حملت الآلات وإصبعك على مفتاح التشغيل أو إذا شحنتها والمفتاح على وضع التشغيل، فقد يؤدي ذلك إلى وقوع حوادث.

■ أزل أي مفتاح تعديل أو مفتاح ربط قبل تشغيل الآلة. قد يؤدي ترك مفتاح ربط أو مفتاح عادي مركبًا على جزء دوار بالآلة إلى وقوع إصابات شخصية.

■ لا تقف في مكان تُضطر لمد يديك بعيدًا. قف وأنت ثابت ومتوازن في جميع الأوقات. وهو ما يسمح بتحكم أفضل في الآلة في الظروف غير المتوقعة.

■ ارتد الملابس الملائمة. لا ترتد ملابس أو مجوهرات غير ثابتة. احتفظ بشعرك وملابسك بعيدًا عن الأجزاء المتحركة. قد تعلق الملابس الفضفاضة أو المجوهرات أو الشعر الطويل في الأجزاء المتحركة.

■ إذا تم تقديم أجهزة خاصة بتوصيل أدوات استخراج وجمع الغبار، فأحرص على توصيلها واستخدامها على النحو اللازم. قد يؤدي استخدام جمع الغبار إلى الحد من المخاطر المرتبطة به.

■ لا تدع الخبرة المكتسبة من الاستخدام المتكرر للآلات يجعلك تتعامل من دون الانتباه اللازم وتتجاهل مبادئ السلامة المتعلقة بالآلة. فقد يتسبب أي إجراء غير مدروس في إصابات خطيرة في جزء من الثانية.

### استخدام الآلة والحماية بها

■ لا تجبر الآلة على أعمال تفوق قدرتها. استخدم الآلة الملائمة لأعمالك. ستقوم الآلة الملائمة بأداء أعمالك بشكل أفضل وأكثر أمانًا بالمعدل الذي أعدت له.

■ لا تستخدم الآلة إذا كان مفتاح التشغيل لا يمكن نقله إلى وضع التشغيل أو وضع الإيقاف. أي آلة لا يمكن التحكم فيها بمفتاح التشغيل تعتبر خطيرة ويجب إصلاحها.

■ أفضل القابس من مصدر التيار و/أو اخلع مجموعة البطاريات -إذا كانت قابلة للخلع- من الآلة قبل إجراء أي تعديلات أو تغيير ملحقات أو تخزين الآلات. إجراءات السلامة الوقائية هذه تحد من خطر تشغيل الآلة بشكل خاطئ.

■ خزن الآلات غير المستخدمة بعيدًا عن متناول أيدي الأطفال ولا تسمح للأشخاص غير المعتادين على استخدام الآلة أو على هذه التعليمات بتشغيل الآلة. فالآلات تكون خطيرة في أيدي الأشخاص غير المدربين.

■ حافظ على الآلة والملحقات. تحقق من عدم محاذة الأجزاء المتحركة أو ربطها، أو وجود كسور في الأجزاء، أو أي حالة أخرى قد تؤثر على عمل الآلة. إذا كان هناك تلف، فقم بإصلاح الآلة قبل استخدامها. فالعديد من الحوادث تحدث بسبب الآلات التي لا تتم صيانتها بشكل منتظم.

■ احتفظ بالآلات القاطعة حادة ونظيفة. فالآلات القاطعة التي تتم صيانتها كما ينبغي للاحتفاظ بحوافها القاطعة حادة تكون أقل عرضة للانحناء ويكون التحكم فيها سهلاً.

■ استخدم الآلة والملحقات واللقم وما شابههم وفقاً لهذه التعليمات، مع الأخذ في الاعتبار بطرف العمل والأعمال التي سيتم تنفيذها. قد يؤدي استخدام الآلة في أعمال غير تلك المخصصة لها إلى حوادث خطيرة.

## اقرأ جميع التعليمات!



**⚠ تحذير:** لضمان السلامة والاعتمادية، يجب تنفيذ جميع أعمال الإصلاح من قبل فني خدمة مؤهل.

### رموز السلامة

الغرض من رموز السلامة هو جذب انتباهك إلى المخاطر المحتملة. رموز السلامة والشروح المصاحبة لها تستحق اهتمامك وفهمك الدقيق. تحذيرات كل رمز، بنفسها، لا تمنع وقوع أي خطر. التعليمات والتحذيرات التي تمنحك إياها لا تعد بديلاً عن تطبيق الإجراءات الملائمة لمنع وقوع الحوادث.

**⚠ تحذير:** احرص على قراءة وفهم جميع تعليمات السلامة في دليل التشغيل هذا، بما في ذلك جميع رموز تنبيهات السلامة، مثل "خطر"، وتحذير، وتنبيه قبل استخدام هذه الآلة. عدم اتباع جميع التعليمات الواردة أدناه قد يؤدي إلى حدوث صدمة كهربائية أو نشوب حريق أو التعرض للإصابة الشخصية، أحدها أو جميعها.

### تعليمات السلامة

هذه الصفحة تصف وتشرح رموز السلامة التي قد تظهر على هذا المنتج. اقرأ جميع التعليمات المذكورة على الآلة وافهمها واتبعها قبل محاولة تجميع الآلة وتشغيلها.

للحد من خطر التعرض لإصابة، ينبغي على المستخدم قراءة دليل التشغيل.



تنبيه سلامة



ارتد أدوات حماية الأذنين



ارتد أدوات حماية العينين



هذا المنتج متوافق مع توجيهات شهادة الجودة الأوروبية (CE) المعمول بها.



لا يجب التخلص من الأجهزة الكهربائية المستهلكة في النفايات المنزلية. توجه بالجهاز إلى مركز إعادة تدوير معتمد.



هذا المنتج متوافق مع تشريعات المملكة المتحدة المعمول بها.



تيار مستمر



kg كيلوجرام

V الجهد الكهربائي

mm ملليمتر

°C درجة مئوية

IPX4 الحماية من تناثر الماء

/min لفة في الدقيقة

## איתור וטיפול בבעיות

בעיה	סיבה	פתרון
הפעלת המכונה נכשלת או נעצרת באופן בלתי צפוי.	<ul style="list-style-type: none"> <li>■ קיבולת מארז סוללות נמוכה.</li> <li>■ מארז הסוללות מתחמם יתר על המידה או קר מדי.</li> <li>■ כבל הידית הימנית אינו מחובר כראוי לכבל ראש החשמל.</li> </ul>	<ul style="list-style-type: none"> <li>■ הטעינו את מארז הסוללה.</li> <li>■ המתינו עד שמארז הסוללות יתקרר או יתחמם, ואז ניתן יהיה להפעיל שוב את המקדח.</li> <li>■ חברו את הכבלים של הידית הימנית ואת ראש החשמל בהתאם לחלק "התקנת הידיות" בראש הכוח PHA7400E במדריך למפעיל.</li> </ul>
קיים יותר מדי רעש / 1 או רטט במהלך הפעולה.	<ul style="list-style-type: none"> <li>■ חלקים מסוימים רופפים.</li> </ul>	<ul style="list-style-type: none"> <li>■ עצרו את המקדח, הסירו את מארז הסוללות, בדקו והדקו חלקים רופפים.</li> </ul>
המנוע פועל אך ביט המקדח לא זז.	<ul style="list-style-type: none"> <li>■ ביט מקדח רופף.</li> </ul>	<ul style="list-style-type: none"> <li>■ התקינו מחדש את ביט המקדח בהתאם לחלק "התקנת הביט של מקדח הקרח" במדריך זה.</li> </ul>
מקדח הקרח קופץ על הקרח או חותך לאט דרך הקרח.	<ul style="list-style-type: none"> <li>■ הלהבים קהים או פגומים.</li> </ul>	<ul style="list-style-type: none"> <li>■ החליפו בלהבים חדשים בהתאם לחלק "החלפת להבי הקרח" במדריך זה.</li> </ul>
כיוון הסיבוב או מהירות הסיבוב אינם מופעלים לאחר לחיצה על כיוון הסיבוב/בורר המהירות.	<ul style="list-style-type: none"> <li>■ החלפת כיוון הסיבוב בין קדימה לאחורה אפשרית רק כאשר המקדח נעצר.</li> <li>■ גורמים בלתי מזוהים אחרים.</li> </ul>	<ul style="list-style-type: none"> <li>■ עצרו את המקדח לחלוטין, דחפו את בורר כיוון הסיבוב / מהירות לסיבוב הרצוי ואז הפעל שוב את המקדח.</li> <li>■ צרו קשר עם שירות EGO לתיקון.</li> </ul>

## אחריות

### מדיניות האחריות של EGO

אנא בקרו באתר [egopowerplus.eu](http://egopowerplus.eu) עבור התנאים וההתניות השלמים של מדיניות האחריות של EGO.

5. אחסנו את ביט המקדח במקום יבש, מאוורר היטב, נעולה או במקום גבוה, הרחק מהישג ידם של ילדים. אל תאחסנו את ביט המקדח קרוב לחומרי דשן, חומרי דלק או כימיקלים אחרים.

### הגנה על הסביבה

אין לזרוק ציוד חשמלי, מטעני סוללות וסוללות ביחד עם אשפה ביתית! קחו מוצרים אלו למרכז מחזור מוסמך ו-וודאו שהם זמינים לאיסוף נפרד. יש להחזיר כלים חשמליים אל מתקן מחזור המתאים לסביבה.



במאונך כך שהביט ייצא ללא הטיה. כדי למזער את ההתזה בעת קידוח חורי קרח, שחררו את מתג ההדק מיד כאשר ביט הקרח פורץ דרך הקרח. הרימו את המכונה באטיות. כסו וסמנו בברור חוקים שנקדחו על מנתלמנוע מכל אחד לדרוך בתוך החור.

### תחזוקה

**⚠ אזהרה:** על מנת למנוע פציעות אישיות חמורות, הוציאו את מארז הסוללה מהמכשיר לפני ביצוע כל עבודות שירות, ניקיון, החלפת אביזרים או הוצאה של חומרים מן היחידה.

### תחזוקה כללית

הימנע משימוש בממסים כאשר אתה מנקה את חלקי הפלסטיק. רוב חלקי הפלסטיק עלולים להינזק מסוגים שונים של ממסים מסחריים ועל ידי השימוש בהם. השתמשו במטלית נקיה על מנת להסיר לכלוך, אבק, שמן, חומר סיכה וכו'.

**⚠ אזהרה:** לעולם אל תאפשרו לנזלי בלימה, בנזין, מוצרים מבוססי בנזין, שמנים וכו' לבוא במגע עם חלקי פלסטיק. חומרים כימיים עלולים להזיק, להחליש או להרוס את הפלסטיק והדבר עלול לגרום לפגיעה אישית חמורה.

### החלפת להבי הקרח

אם מקדח הקרח קופץ על הקרח או חותך לאט דרך הקרח בעת קידוח חורי קרח, ייתכן שיהיה צורך להחליף את להבי הקרח.

כלים נדרשים: מפתח אלן 6 מ"מ (מסופק), מפתח אלן 3 מ"מ (לא מסופק)

1. הסירו את מארז הסוללות מהמקדח, והסירו את ביט הקרח ממוט ההנעה של ראש החשמל באמצעות מפתח אלן 6 מ"מ כדי לשחרר ולהסיר את בורג הנעילה.
2. לבשו כפפות מגן והסירו את מגן להב הקרח (איור D1).
3. באמצעות מפתח אלן 3 מ"מ, שחררו והוציאו את הברגים ואת להבי הקרח ממקדח ביט הקרח. (איור D2)
4. החליפו בלהבים חדשים והדקו אותם היטב.
5. התקינו את מגן הלהב.

D1-1	מגן להב	D1-2	להבי קרח
D2-1	בורג	D2-2	להב קרח

### אחסון מקדח ביט הקרח

1. הסר את מארז הסוללה.
2. הסירו את ביט המקדח ממוט ההנעה של ראש החשמל.
3. נקו היטב את המקדח לפני אחסונו.
4. התקינו את מגן הלהב על ביט מקדח הקרח.

עלולות לגרום לפציעה חמורה (איור C2).

- ⚠ אזהרה:** יש להימנע מתנוחת לא נכונות (איור C3). אל תעמדו רחוק מדי מהמכונה. תגובה ושליטה נאותות לא תושגנה במקרה של תגובה לאחור.
- ב. הרחיקו את ביט המקדח מגופכם ואת ביט המקדח המצביע כלפי מטה בזווית של 90 מעלות אל פני השטח.
- ג. הגדירו את כיוון הסיבוב ואת מהירות הסיבוב.
- ד. הרימו את המכונה מעל פני השטח. לחצו לחיצה ממושכת על לחצן הנעילה ולאחר מכן לחצו על הדק המתג.

- ⚠ אזהרה:** אין לגעת בביט המקדח כאשר המוצר מופעל.
- ה. אפשרו למקדח לצבור מהירות מלאה.
- ו. הנמיכו את ביט המקדח אל פני השטח תוך שמירה על זווית של 90 מעלות (איור C4). תנו לביט המקדח לנגוס בחומר ותנו למכונה לעשות את העבודה.
- ז. כאשר ביט המקדח מתחיל להתמלא בפסולת, חשוב לנקות אותו כל הזמן כדי לייצר חתך נקי ולהפחית את כמות המאמץ הנדרשת – בזמן שהמקדח פועל במלוא המהירות, הרימו אותו לאט מהחור ואפשרו לפסולת להתפנות מהביט.
- ח. לאחר השימוש במכונה זו, שחררו את מתג ההדק ואפשרו למקדח להגיע לעצירה מוחלטת.
- ט. בעת עזיבת המכונה, כגון במהלך הפסקה, אין להשאיר את המכונה מוכנסת אל תוך קרח או להשעין אותה על קיר. התקינו את מגן הלהב על ביט הקרח ואחסנו את המכונה במצב יציב.

#### טיפים לשימוש במקדח הקרח

- לחיצה מוגזמת על המכונה לא תאיץ את הקידוח. לחץ מוגזם ישמש רק כדי לפגוע בקצה של ביט המקדח, להקטין את ביוצי המכונה ולקצר את חי' השירות של המכונה.
- בעת קידוח חור עמוק או קידוח באדמת חרסית, אל תנסו לחפור בבת אחת. חפרו את הבור על ידי הרמת המכונה למעלה ולמטה, כך שניתן יהיה לשחרר את האדמה הרופפת שבחור.
- אם מהירות הסיבוב של המכונה מאטה עקב פעולת עומס גבוה, הרימו את המכונה מעט למעלה והזיזו את המכונה למעלה ולמטה כדי לקדוח בצעדים קטנים.
- ניתן להסיר ביט מקדח תקוע פשוט על ידי הגדרת המקדח לסיבוב הפוך על מנת לסגת החוצה. בעת קידוח לאחור, כופפו את המכונה ליד גופכם כדי למנוע תגובה בכיוון השעון.
- לפני שעובדים עם ביט מקדח הקרח על ברכות, אגמים או אדים קפואים, בדקו עם הרשויות המקומיות ונקטו בכל אמצעי הזהירות הדרושים כדי להבטיח עובי קרח בטוח.
- כאשר מוציאים את הקרח מהחור, הרימו את המכונה

B1-1	מוט הנעה	B1-2	הקצה העליון של ביט מקדח הקרח
B2-1	מוט הנעה	B2-2	בורג נעילה
B2-3	צד שטוח		

**הודעה:** ודאו שבורג הנעילה מוכנס לתוך חורי החיבור מהצד השטוח של חור ביט המקדח.

## הפעלה

### יישום

ניתן להשתמש במוצר אך ורק לצורך המטרות המפורטות להלן:

- קידוח חורים בקרח באמצעות ביט מקדח הקרח.
- הפעלה/כיבוי של מקדח הקרח**
- עיינו בסעיף „הפעלה/כיבוי של הראש החשמלי” במדריך למשתמש של הראש החשמלי PHA7400E.

**הודעה:** לבשו כפפות מגן והסירו את מגן הלהב הקרח לפני הפעלת המוצר.

### עבודה עם מקדח הקרח

#### ⚠ אזהרה:

- צרו קשר עם ספק השירות המקומי לסימון שירות תת קרקעי לפני השימוש במכונה כדי להימנע ממגע עם שירותים תת קרקעיים.
- אין להשתמש במקדח הקרח לאף דבר אחר מלבד מטרתו המיועדת.
- השתמשו במקדח הקרח כדי לקדוח חורים בקרח בלבד.

■ הימנעו מקידוח בחומר שאתם חושדים שמכיל מסמרים מוסתרים או דברים אחרים שעלולים לגרום לחתיכת המקדח להיקשר או להישבר.

■ הישארו ערניים לכוח תגובת המומנט של המכונה. שמרו תמיד על עמדת הפעלה שתוכל לעמוד בכוח תגובת המומנט.

■ יש לנקוט בזהירות יתירה בעת עבודה על מדרון או קרקע לא אחידה.

**הודעה:** לפני הפעלה יש לבדוק שאין חומר זר (חול, לכלוך וכו') תקוע בפתחים או בחלקים הנעים.

א. ודאו שכפות הרגליים נטועות היטב מעל משטח העבודה ועמדו עם הידיים קרוב למוטניים. אחזו בחוזקה את הידיים הימנית עם היד הימנית שלכם ואת הידיים השמאלית עם היד השמאלית שלכם (איור C1).

C1-1	ידיים ימנית	C1-2	ידיים שמאלית
------	-------------	------	--------------

**⚠ אזהרה:** לעולם אל תחזיקו את הידיים הימנית ביד שמאל ואת הידיים השמאלית ביד ימין. תנוחות ידיים לא נכונות

רטרט $a_n$	תינמי תידי 2,52 מ' / שנייה <sup>2</sup> K=1,5 מ' / שנייה <sup>2</sup>
	תידי תילאמש 2,45 מ' / שנייה <sup>2</sup> K=1,5 מ' / שנייה <sup>2</sup>

■ ערך הרטרט הכללי המוצהר נמדד בהתאם לשיטת בדיקה סטנדרטית וניתן להשתמש בו כדי להשוות בין מכונות.

■ ניתן להשתמש בערך הרטרט הכללי המוצהר בהערכה ראשונית של חשיפה.

**הודעה:** פליטת הרטרט בעת השימוש המעשי במכשיר יכולה להיות שונה מן הערך המוצהר כאשר המכשיר נמצא בשימוש; כדי להגן על המפעיל, על המשתמש ללבוש כפפות ומגני אזניים בעת השימוש למעשה.

## אביזרים מומלצים

**אזהרה:** השתמשו רק באביזרים המפורטים להלן. שימוש באביזרים אשר לא מתאימים למפרטים של הציוד המקורי עלולים להוביל לביצועים לא מתאימים ולפגוע בבטיחות הציוד.

שם חלק	מספר דגם
להב ביט מקדח קרח	AB0800I

## רשימת אריזה (איור א)

### תיאור

הכירו את מקדח ביט הקרח שלכם (איור A)

1. מקדח ביט קרח
2. בורג נעילה
3. מגן להב
4. להב קרח
5. מפתח אלן (6 מ"מ)

### הרכבה

#### התקנת הביט של מקדח הקרח

- ⚠ אזהרה:** ביט המקדח חד מאוד. כדי למנוע פגיעה גופנית, יש לנקוט משנה זהירות בעת ניקוי, התקנה או הסרה של ביט המקדח. יש ללבוש תמיד כפפות מגן בעת ביצוע עבודות תחזוקה כלשהן על ביט המקדח.
1. שחררו והוציאו את בורג הנעילה מביט מקדח הקרח.
  2. הרכיבו את קצהו העליון של ביט המקדח על מוט ההנעה של ראש הכוח (איור B1).
  3. יישרו את חורי החיבור בביט המקדח ובמוט ההנעה.
  4. השתמשו בבורג הנעילה כדי לאבטח את ביט המקדח למוט ההנעה. השתמשו במפתח אלן 6 מ"מ שסופק כדי להדק היטב את בורג הנעילה (איור B2).

### שלכם לתיקון.

■ **כדי להפחית את הסיכון לפיצוץ, לעולם אל תשתמשו במקדח ליד קווי גז קבורים, כולל קווי מים וצינורות.** מגע או שימוש בקרבת קווי מים או גז קבורים עלול לגרום לפיצוץ קווי מים ולפיצוץ מקווי גז שעלול לגרום לפציעה חמורה או למוות.

■ **לעולם אל תפעילו במהירות גבוהה יותר מאשר דירוג המהירות המקסימלית של ביט המקדח.** במהירויות גבוהות יותר, החלק עשוי להתכופף אם מותר לו לשובב בחופשיות מבלי ליצור קשר עם חומר העבודה, וכתוצאה מכך עלולה להתרחש פגיעה אישית.

■ **מכונות המופעלות על ידי סוללות לא צריכות להיות מחוברות אל החשמל; לכן, הן תמיד נמצאות במצב הפעלה.** היו מודעים לסכנות גם כאשר המכונה איננה פועלת. היו זהירים בעת ביצוע עבודות תחזוקה או שירות.

■ **אין לשטוף את המכשיר בעזרת צינור; מנעו ממים להיכנס אל המנוע ואל חיבורי החשמל.**

■ **להבי הקרח חדים מאוד. יש לנקוט משנה זהירות בעת קידוח חור או החלפה של הלהבים. התאימו את מגן הלהב לאחר כל שימוש.**

■ **בדקו וודאו לעתים קרובות שבורג הנעילה מאובטח במקומו.**

■ **יש להשתמש רק במארזי הסוללה ובמטענים המומלצים.**

יש לשמור על הוראות אלו. יש לעיין בהוראות לעתים תכופות ולעקוב אחריהן כדי שתוכלו להדריך אחרים העשויים להשתמש במכונה. אם אתם מלווים את המכונה למישהו אחר, תנו לו גם את ההוראות הללו על מנת למנוע שימוש לא נכון של המוצר או פציעות אפשריות.

### מפרטים

קוטר ביט/חור מקדח	200 מ"מ
עומק קידוח מקסימלי	990 מ"מ
משקל (ללא מארז סוללה)	3.7 ק"ג
טמפרטורת הפעלה מומלצת	-20°C עד 40°C
טמפרטורת אחסון מומלצת	-40°C עד 70°C
רמת עוצמת קול $L_{WA}$	97.6 dB(A) 3 = K
רמת לחץ קול $L_{PA}$	89.6 dB(A) 3 = K

## שירות

- בצעו עבודות שירות על המכשיר שלכם רק באמצעות טכנאי שירות מוסמך העושה שימוש בחלקי חילוף זהים בלבד. הדבר יבטיח שבטיחות המכשיר נשמרת.
- לעולם אל תבצעו עבודות שירות למארזי סוללה ניזוקים. תיקון של מארזי סוללה צריך להתבצע רק על ידי היצרן או ספקי שירות מוסמכים.

## אזהרות בטיחות עבור מקדח הקרח

- החליפו את המקדחות אם הן סדוקות, מכופפות או פגומות בדרך כלשהי. הפעלת המכונה עם מקדח פגום עלולה לגרום לפציעה חמורה.
- לעולם אל תשתמשו במקדח עם הידיות מעל גובה המותניים. הדבר מגביל את השליטה של המקדח ועלול להגדיל את הסיכון לפציעה.
- החזיקו את המכונה בשתי הידיים המיועדות. אבדן שליטה עלול לגרום לפציעות אישיות.
- החזיקו את המכונה בעזרת משטחי המאחז המבודדים, בעת ביצוע של פעולה בה אבזר הקידוח עלול לפגוע בכבלים חבויים. אבזרי קידוח הבאים במגע עם כבל, ח"י" עוללים לגרום לחלקי מתכת של המכונה להיות "חיים" ועולים לגרום שוק חשמלי למפעיל.
- כדי להפחית את הסיכון להתחשמלות, לעולם אל תשתמשו במקדח ליד כבלי חשמל קבורים. מגע או שימוש בקרבת כבלי חשמל קבורים עלול לגרום לפציעה חמורה או להתחשמלות וכתוצאה מכך למוות.
- הפעילו תמיד את המכונה במהירות נמוכה ועם קצה הביט של המקדח במגע עם הקרקע. במהירויות גבוהות יותר, החלק עשוי להתכופף אם מותר לו לסובב בחופשיות מבלי ליצור קשר עם הקרקע, וכתוצאה מכך עלולה להתרחש פגיעה אישית.
- הפעילו לחץ רק בקו ישיר עם הביט ואל תפעילו לחץ מוגזם. ביטים יכולים להתכופף ולגרום לשבירה או אבדן שליטה, וכתוצאה מכך עלולה להתרחש פגיעה אישית.
- תמיד היו בטוחים שיש לכם בסיס איתן. ודאו שאף אחד לא נמצא מתחת בעת השימוש במכונה במקומות גבוהים.
- החזיקו את המכונה בחוזקה.
- הרחיקו את הידיים מחלקים מסתובבים.
- אל תשאירו את המכונה פועלת. הפעילו את המכונה רק כאשר היא מוחזקת ביד.
- אל תגעו בביט המקדח מיד לאחר הפעולה. הוא יכול להיות חם מאוד ויכול ולשרוף את העור שלכם.
- אם משהו לא בסדר במכשיר, כגון צלילים חריגים, הפסיקו מיד את פעולתו ופנו למרכז השירות המקומי

- תחזקו מכוונת ואבזרים. בדקו יישור או ליפוף של חלקים נעים, שבירה של חלקים ותנאים אחרים אשר עלולים להשפיע על פעולת המכשיר. במקרה של נזקים, יש לתקן את המכשיר לפני השימוש. תאונות רבות נגרמות כתוצאה מתחזוקה לקויה של מכשירים.
- שמרו על מכוונת חיתוך חדות ונקיות. למכשירי חיתוך אשר תוחזקו כהלכה בעלי קצוות חדים יש פחות סיכוי לבצע ליפוף וקל יותר לשלוט בהם.

- השתמשו במכשירים, באבזרים, בביטים של המכשירים וכו' בהתאם להוראות אלו, כאשר אתם לוקחים בחשבון את תנאי העבודה ואת העבודה שיש לבצע. השימוש במכשיר לפעולות שלהן הוא אינו מיועד עלול להוביל למצב מסוכן.
- שימרו על הידיות ועל חלקי האחיזה יבשים, נקיים וללא שמן או חומרי סיכה. ידיות ומשטחי אחיזה מחליקים לא מאפשרים טיפול נכון ושליטה במכשיר במצבים לא צפויים.

## השימוש והטיפול בסוללת המכונה

- הטעינו רק עם המטען המצוין על ידי היצרן. מטען המתאים למארז סוללה אחד עלול ליצור סכנת אש עבור מארז סוללה אחר.
- יש להשתמש במכשירים אך ורק עם מארזי הסוללה המיועדים להם. השימוש במארזי סוללה אחרים עלול ליצור סיכון לפציעות ושרפות.
- כאשר מארז הסוללה איננו בשימוש, שימרו עליו במרחק מסוים מעצמים אחרים העשויים ממתכת, כגון מהדקי נייר, מטבעות, מפתחות, מסמרים, ברגים או עצמים קטנים ממתכת העלולים לבצע חיבור של מסוף אחד למשנהו. ביצוע קצר בין מסופי הסוללה עלול לגרום לכוויות או שריפה.
- בתנאי שימוש לא נאותים, נוזל עלול להיפלט מן הסוללה; הימנעו ממגע עמו. אם ישנו מגע מקרי, שטוף את האזור במים. אם מתרחש מגע עם העיניים, פנו לעזרה רפואית. נוזל הנפלט מן הסוללה עלול לגרום לפריחה או כוויות.
- אל תשתמשו במארז סוללה או מכשיר ניזוקים או אשר שנו. סוללות ניזוקות או אשר שנו עלולות להתנהג בצורה לא צפויה אשר עלולה להסתיים בשרפה, פיצוץ או סיכון לפציעה אישית.
- אל תחשפו את מארז הסוללה או את המכשיר לאש או למפטרטורות גבוהות. חשיפה אל אש או טמפרטורות הגבוהות מ-130 °C עלולה לגרום לפיצוץ.
- בצעו את כל הוראות הטענה ואל תטעינו את מארז הסוללה או את המכשיר מחוץ לטווחי הטמפרטורה המצוינים בהוראות אלו. הטענה לא נכונה או מחוץ לטווחי הטמפרטורה המצוינים עלולים לגרום לנזק ולהעלות את הסיכון לשרפה.

## אזהרות בטיחות כלליות למכשיר

**⚠ אזהרה:** קראו את כל אזהרות הבטיחות, את ההוראות, התמונות והמפרטים המסופקים ביחד עם מכשיר זה. אי מילוי כל ההוראות המופיעות למטה עלול לגרום להלם חשמלי, שרפה ו/או פציעה חמורה.

שימרו את כל האזהרות וההוראות לעיון עתידי.

### בטיחות סביבת העבודה

שימרו על סביבת העבודה נקייה ומוארת כהלכה. סביבות לא מסודרות ואפלות מזמינות תאונות.

אל תפעילו מכשירים באזורים דליקים, בנוכחות נזולים דליקים, דלק או אבק. מכשירים מייצרים ניצוצות העלולים להצית את האבק או האדים.

בקשו מילדים ומעוברי אורח להתרחק מן המכשיר בעת הפעלתו. הסחות דעת עלולות לגרום לכם לאבד שליטה.

### בטיחות חשמלית

התקנים של המכשיר צריכים להיות מתאימים לשקע. לעולם אל תשנו את התקע בכל צורה שהיא. אל תשתמשו במתאמים עבור תקעים של מכשירים בעלי הארקה. תקעים שלא שונו ושקעים מתאימים יפחיתו את הסיכון לשחמלי.

הימנעו ממגע עם שטחים בעלי הארקה, כגון צינורות, רדיאטורים, כיריים ומקררים. יש סיכון גבוה להלם חשמלי אם הגוף שלכם מוארק.

אין לחשוף את המכונות לגשם או לתנאי רטיבות. מים הנכנסים אל המכונה יגבירו את הסכנה להלם חשמלי.

אל תפעילו לחץ על הכבל. לעולם אל תשתמשו בכבל על מנת לשאת, למשוך או להוציא את המכשיר מן השקע. שימרו על הכבל הרחק ממקורות חום, שמן, קצוות חדים או חלקים נעים. כבלים ניזוקים או מלוטשים מגבירים את הסיכון לשוק חשמלי.

בעת הפעלת המכשיר בחוץ, עשו שימוש בכבל מאריך המתאים לשימוש בחוץ מפחית את הסיכון לשוק חשמלי.

אם לא ניתן להימנע מהפעלת המכשיר במקום לח, עשו שימוש במפסק פחת להגנה על המתח. השימוש במפסק פחת מפחית את הסיכון להתחשמלות.

### בטיחות אישית

יש להישאר דרוכים ומודעים, ולהשתמש בשכל הישר בעת שימוש במכשיר. נא לא להשתמש במכשיר כאשר אתם עייפים או תחת השפעה של סמים, אלכוהול או תרופות. רגע אחד של חוסר תשומת לב בעת הפעלת מכשירים עלול לגרום לפציעה אישית חמורה.

השתמשו בציוד הגנה אישי. חבשו תמיד מגני עיניים. כאשר נעשה שימוש בציוד הגנה כגון מסכת אבק, נעלי בטיחות נגד החלקה, כובעים קשים או מגני אוזניים, בתנאים המתאימים, הדבר יפחית את הסיכון לפציעות אישיות חמורות.

יש להימנע מהפעלה מקרית. וודאו שהמתג נמצא במצב כבוי לפני חיבור של מקור מתח ו/או מארז הסוללה, לפני הרמת המכשיר או נשיאתו. נשיאה של מכשירים כאשר האצבע שלכם ממוקמת על המתג או חיבור מקורות מתח למכשירים הנמצאים במצב פועל, מזמינים תאונות.

יש להסיר כל כלי כוונן או מפתח ברגים לפני הפעלת המכשיר. מפתח ברגים או כלי כוונן המוצמדים אל רכיב מסתובב של המכשיר עלול לגרום לפציעה אישית חמורה.

אל תנסו להתמתח רחוק מדי. שימרו על צעד ואיזון בטוחים בכל זמן. הדבר מאפשר שליטה טובה יותר במכשיר במצבים בלתי צפויים.

לلبשו בגדים מתאימים. אל תלבשו בגדים רפויים או תכשיטים. שימרו על השיער שלכם ועל חלקי ביגוד הרחק מחלקים נעים. בגדים רפויים, תכשיטים או שיער ארוך עלולים להיפסס בחלקים הנעים.

אם המכשירים מגיעים ביחד עם חיבור להוצאת אבק ומתקני איסוף, וודאו שאלו מחוברים כהלכה והשימוש בהם נעשה באופן נכון. השימוש במתקנים לאיסוף אבק יכול להפחית סכנות הקשורות לאבק.

נקטו זהירות בעת השימוש במכשיר גם לאחר שאתם בקיאים בשימוש, ואל תיתנו לנוחיות השימוש שלכם להפוך אותכם לשאננים ולהתעלם מעקרונות הבטיחות. פעולה לא זהירה עלולה לגרום לפציעה חמורה בשבריר שנייה.

### השימוש והטיפול במכשיר

אל תפעילו כוח על המכשיר. השתמשו במכשיר המיועד למטרה שלכם. המכשיר הנכון יבצע את עבודתו בצורה טובה ובטוחה יותר בקצב בו הוא תוכנן לפעול.

אין להשתמש במכשיר אם מתג ההפעלה והכיבוי אינו פועל. מכשיר אשר לא ניתן לשלוט בו בעזרת המתג הוא מסוכן ויש לתקן אותו.

נתקו את התקע ממקור החשמל ו/או הסירו את מארז הסוללה מן המכשיר, אם ניתן, לפני ביצוע כל התאמה, שינוי של אביזרים, או אחסון של מכשירים. אמצעי זהירות למניעה אלו מפחיתים את הסיכון להפעלה מקרית של המכשיר.

יש לאחסן את המכשיר כשאינו בשימוש מחוץ להישג ידם של ילדים ואין לאפשר לאנשים שאינם מכירים את המכשיר או את ההוראות האלה להפעיל את המכשיר. מכשירים מסוכנים כאשר הם בהישג ידם של אנשים אשר לא הוכשרו להפעיל אותם.

## אנא קראו את כל ההוראות!

קראו את מדריך ההוראות

**⚠ אזהרה:** על מנת להבטיח בטיחות ואמינות, יש לבצע את כל התיקונים וההחלפות בעזרת טכנאי שירות מוסמך.

### מל בטיחות

מטרתם של סימני הבטיחות היא למשוך את תשומת לבכם אל סכנות אפשריות. סמלי הבטיחות וההסברים שלהם דורשים את תשומת הלב וההבנה המלאות שלך. סימני הבטיחות בעצמם לא ימנעו כל סכנה. ההוראות והאזהרות אותן הם מספקים לא תחלפנה נקיטת אמצעי מניעה מתאימים בעת תאונה.

**⚠ אזהרה:** ודאו שאתם קוראים ומבינים את כל הוראות הבטיחות המופיעות במדריך זה למשתמש, כולל את כל סימני התראות הבטיחות כגון „סכנה“, „אזהרה“ ו-„זהירות“ לפני השימוש במכשיר זה. אי מילוי אחר כל ההוראות המופיעות למטה יכול לגרום להלם חשמלי, שרפה ו/או פציעות אישיות חמורות.

### הוראות בטיחות

עמוד זה מציין ומתאר את סימני הבטיחות העשויים להופיע על גבי המוצר. קראו, הבינו ועקבו אחר ההוראות המופיעות על המכשיר לפני כל ניסיון להרכיב ולהשתמש בו.

כדי להפחית את הסיכון לפציעות, יש לקרוא את המדריך למשתמש.

**KEES VAN DER SPEK**  
TOUW EN HAKMACHINES • TER AAR

התראת בטיחות

לבשו מגני אוזניים

לבשו מגני עיניים

מוצר זה תואם לתקנות ה-CE הרלוונטיות.

אין לזרוק מוצרים חשמליים עם האשפה הביתית. יש להביא את המכשיר למרכז מחזור מוסמך.

מוצר זה תואם לחוקים הרלוונטיים בבריטניה.

זרם ישיר

קילוגרם kg

מתח V

מילימטר mm

צ'לזיוס °C

הגנה מפני התזת מים IPX4

סיבובים לדקה /min

# EGO™

POWER<sup>+</sup> AUGER



ITA0800E

HE מקדח ביט קרח 56V ליתיום יון

AR لقمة بريمة حفر الثلج ببطارية ليثيوم-أيون 56 فولت

