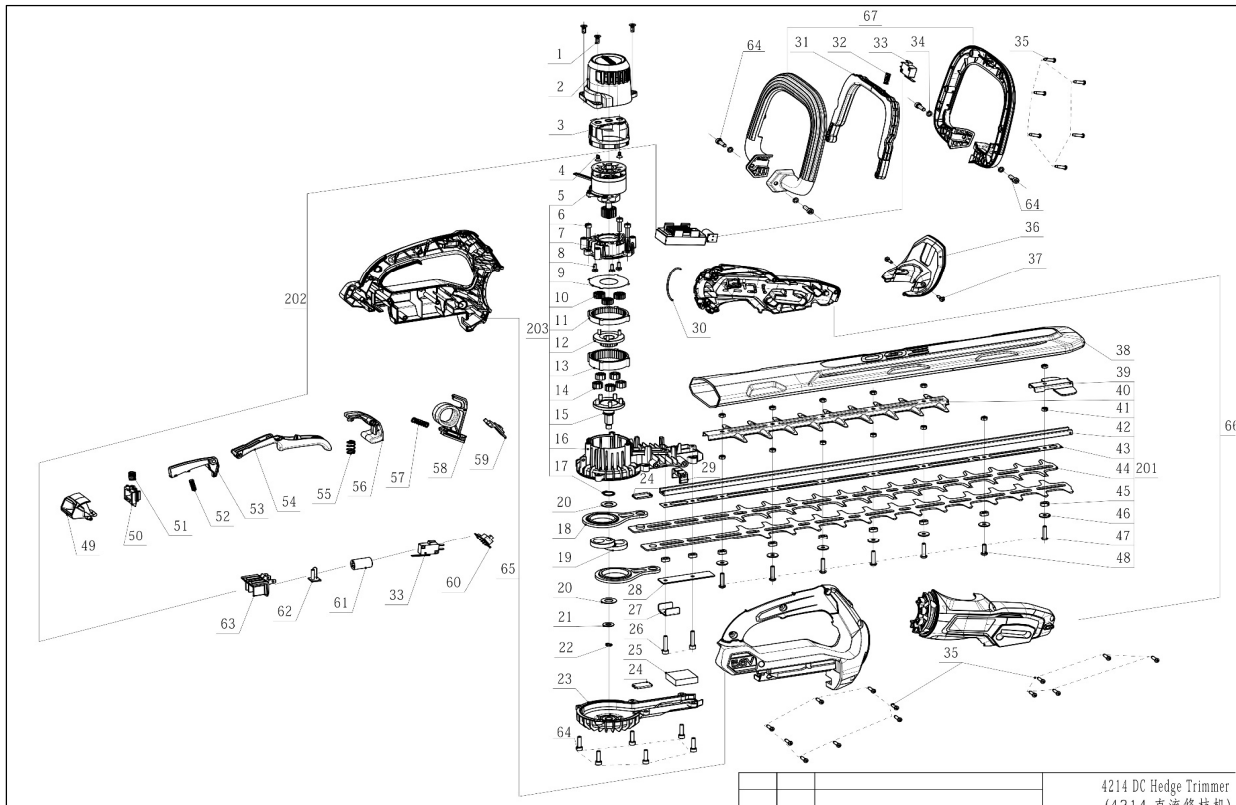


HT5100E



Index No.	Art. No.	Technical Information	Description	QTY in machine
1	5610086004		Thread Forming Screw	3
2	3421739001		Motor Top Cover	1
3	3128264001		Fan Baffle	1
4	5610256001		Thread Forming Screw	2
5	2824551001		Motor & Gear ASSY	1
6	5620446003		Hexagon Socket Screw	3
7	3421741001		Gear Case Cover	1
8	5620424002		Screw	3
9	5650529001		Washer	1
10	2824554001		Planet Gear Assembly	3
11	3520889001		Ring Gear	1
12	2824336001		Sun Gear ASSY	1
13	3520888001		Ring Gear	1
14	3520887001		Planet Gear	5
15	2824387001		Carrier	1
16	2824555001		Gear Case ASSY	1
17	5660018001		Circlips For Shaft	1
18	2824561001		Link Assembly	2
19	3552450001		Eccentric Block	1
20	5650551001		Plain Washer	2
21	3700155002		Washer	1
22	5660007001		Circlips For Shaft	1
23	2824560001		Lower Housing ASSY	1
24	3706095001		Support Plate	2
25	3705994001		Sponge Pad	1
26	5620216005		Hexagon Socket Screw	2
27	3706098001		Upper Support Plate	1
28	3705991001		Support Plate	1
29	3126835001		Lower Support Plate	1
30	5690350001		Damping Ring	1
31	3128269001		Switch Trigger	1
32	3660046001		Spring	1
33	4870564001		Switch	2
34	5650404001		Washer	4
35	5610032004		Tapping Screw	19
36	3128263001		Guard	1
37	5610264001		Hexagon Lobular Screw	2
38	3128512001		Sheath	1

39	3705992001		Tip Protector	1
40	3706043001		Protective Teeth	1
41	5630007006		Prevailing Torque Hexagon Nut	13
42	3552477001		Clamp Support	1
43	3706079001		Support Plate	1
44	3706078001		Blade	2
45	5650531001		Bush	9
46	5650487001		Plain Washer	7
47	5620544001		Hexagon Socket Screw	6
48	5620543001		Hexagon Socket Screw	1
49	3127201001		Release Button	1
50	3127202001		Power Pack Button	1
51	3660013003		Spring1	1
52	3660088003		Knob-reset Spring	1
53	3127212001		Lock Button	1
54	3128270001		Switch Trigger	1
55	3660614001		Compression Spring	1
56	3128266001		Lever	1
57	3660072002		Spring	1
58	3128166001		Lock Lever	1
59	3128276001		Speed Change Button	1
60		Only available as part of assembly	PCB Assembly	1
61		Only available as part of assembly	Magnet Ring	1
62		Only available as part of assembly	PCB Assembly	1
63		Only available as part of assembly	Contact Receptacle ASSY	1
64	5620446004		Hexagon Socket Screw	10
65	2824556001		Rear Handle Set	1
66	2824553001		L R Housing Set	1
67	2824552001		Side Handle	1
201	2824519001		Blade Set	1
202	2830118001		Electric Assembly	1
203	2824568001		Motor & Gear ASSY	1

